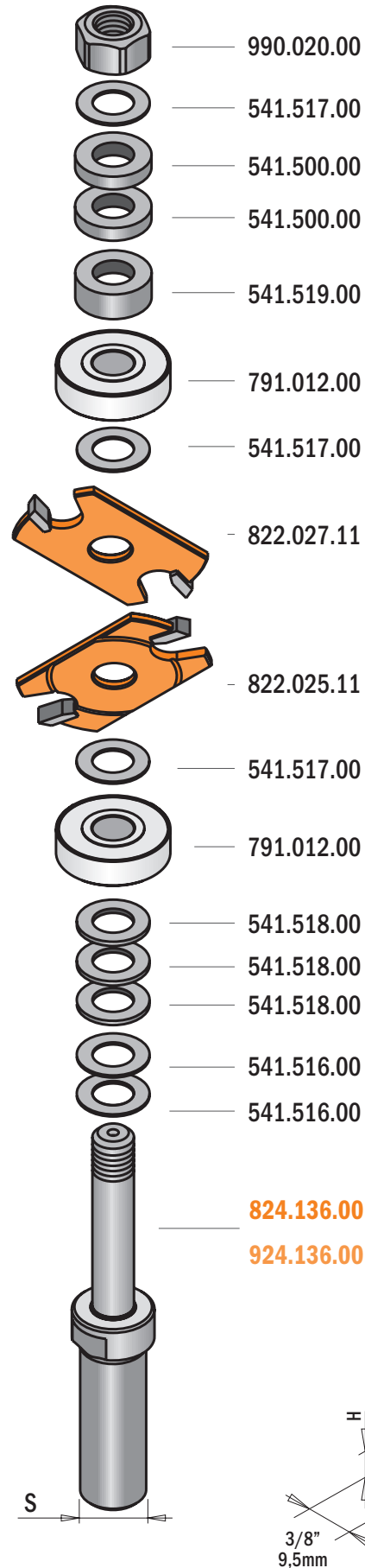


800.625.11 (Shank 1/2") - ASSEMBLY FOR 3/8" CUTTING DEPTH

900.625.11 (Shank 12mm) - ASSEMBLY FOR 9,5MM CUTTING DEPTH

GROOVE ASSEMBLY Example for 13/64" (5,15mm)



824.136.00 S=1/2"

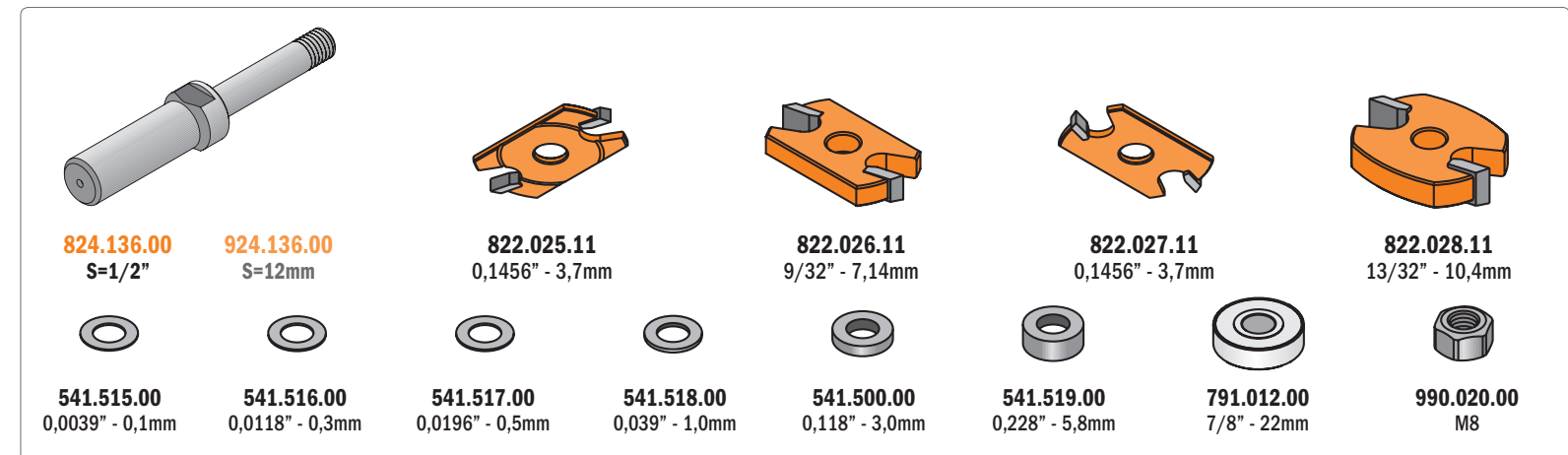
924.136.00 S=12mm

GROOVE - Cutting Height (H)

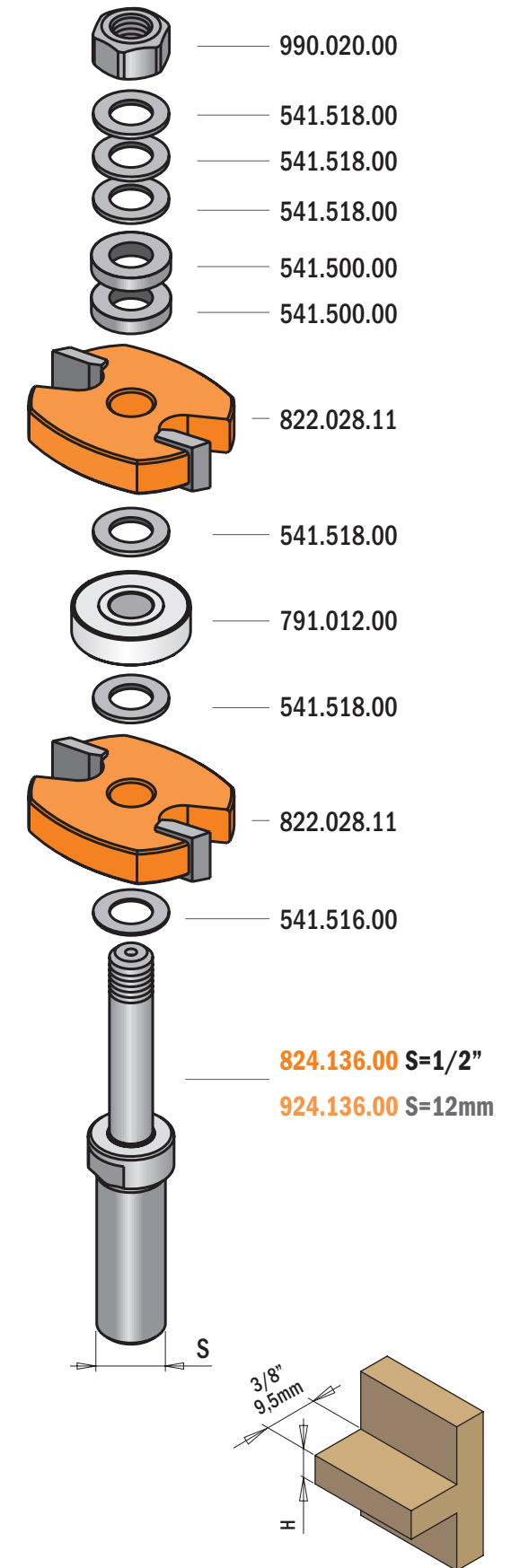
| Assembly sequence n° | 13/64" 5.15mm | 7/32" 5.55mm | 15/64" 5.95mm | 1/4" 6.35mm | 17/64" 6.75mm | 9/32" 7.15mm | 7/16" 11.1mm | 29/64" 11.5mm | 15/32" 11.9mm | 31/64" 12.3mm | 1/2" 12.7mm | 33/64" 13.1mm | 17/32 13.5mm |
|----------------------|---------------|--------------|---------------|--------------|---------------|--------------|--------------|---------------|---------------|---------------|--------------|---------------|--------------|
| 20 | - | - | - | - | - | 990.020.00 | - | - | - | - | - | - | - |
| 19 | - | - | - | 990.020.00 | 990.020.00 | 541.517.00 | - | - | - | 990.020.00 | - | - | - |
| 18 | - | 990.020.00 | 990.020.00 | 541.517.00 | 541.516.00 | 541.518.00 | - | - | - | 541.518.00 | - | - | 990.020.00 |
| 17 | 990.020.00 | 541.500.00 | 541.500.00 | 541.517.00 | 541.517.00 | 541.500.00 | - | - | - | 541.518.00 | 990.020.00 | 990.020.00 | 541.518.00 |
| 16 | 541.517.00 | 541.500.00 | 541.500.00 | 541.518.00 | 541.518.00 | 541.519.00 | - | - | - | 541.500.00 | 541.518.00 | 541.516.00 | 541.500.00 |
| 15 | 541.500.00 | 541.519.00 | 541.519.00 | 541.500.00 | 541.500.00 | 791.012.00 | - | - | - | 791.012.00 | 541.500.00 | 541.518.00 | 791.012.00 |
| 14 | 541.500.00 | 791.012.00 | 791.012.00 | 541.519.00 | 541.519.00 | 541.517.00 | 990.020.00 | 541.519.00 | 541.519.00 | 541.517.00 | 791.012.00 | 541.500.00 | 541.517.00 |
| 13 | 541.519.00 | 541.517.00 | 541.517.00 | 791.012.00 | 791.012.00 | 822.027.11 | 541.517.00 | 791.012.00 | 791.012.00 | 822.027.11 | 541.517.00 | 791.012.00 | 822.027.11 |
| 12 | 791.012.00 | 822.027.11 | 822.027.11 | 541.517.00 | 541.517.00 | 541.515.00 | 541.519.00 | 541.517.00 | 541.517.00 | 541.516.00 | 822.027.11 | 541.517.00 | 541.515.00 |
| 11 | 541.517.00 | 541.515.00 | 541.517.00 | 822.027.11 | 822.027.11 | 541.515.00 | 791.012.00 | 822.027.11 | 822.027.11 | 541.516.00 | 541.515.00 | 822.027.11 | 541.518.00 |
| 10 | 822.027.11 | 541.516.00 | 541.516.00 | 541.515.00 | 541.515.00 | 541.516.00 | 541.517.00 | 541.516.00 | 541.516.00 | 822.026.11 | 541.517.00 | 541.518.00 | 822.026.11 |
| 9 | 822.025.11 | 822.025.11 | 822.025.11 | 541.515.00 | 541.518.00 | 541.518.00 | 822.027.11 | 822.026.11 | 822.026.11 | 541.515.00 | 822.026.11 | 822.026.11 | 541.516.00 |
| 8 | 541.517.00 | 541.517.00 | 541.517.00 | 541.517.00 | 541.517.00 | 541.517.00 | 822.026.11 | 541.515.00 | 541.517.00 | 541.517.00 | 541.518.00 | 541.518.00 | 541.518.00 |
| 7 | 791.012.00 | 791.012.00 | 791.012.00 | 822.025.11 | 822.025.11 | 822.025.11 | 822.025.11 | 822.025.11 | 822.025.11 | 822.025.11 | 822.025.11 | 822.025.11 | 822.025.11 |
| 6 | 541.518.00 | 541.518.00 | 541.518.00 | 541.517.00 | 541.517.00 | 541.517.00 | 541.517.00 | 541.517.00 | 541.517.00 | 541.517.00 | 541.517.00 | 541.517.00 | 541.517.00 |
| 5 | 541.518.00 | 541.518.00 | 541.518.00 | 791.012.00 | 791.012.00 | 791.012.00 | 791.012.00 | 791.012.00 | 791.012.00 | 791.012.00 | 791.012.00 | 791.012.00 | 791.012.00 |
| 4 | 541.518.00 | 541.518.00 | 541.518.00 | 541.500.00 | 541.500.00 | 541.500.00 | 541.500.00 | 541.500.00 | 541.500.00 | 541.500.00 | 541.500.00 | 541.500.00 | 541.500.00 |
| 3 | 541.516.00 | 541.516.00 | 541.516.00 | 541.516.00 | 541.516.00 | 541.516.00 | 541.516.00 | 541.516.00 | 541.516.00 | 541.516.00 | 541.516.00 | 541.516.00 | 541.516.00 |
| 2 | 541.516.00 | 541.516.00 | 541.516.00 | 541.516.00 | 541.516.00 | 541.516.00 | 541.516.00 | 541.516.00 | 541.516.00 | 541.516.00 | 541.516.00 | 541.516.00 | 541.516.00 |
| 1 | 8/924.136.00 | 8/924.136.00 | 8/924.136.00 | 8/924.136.00 | 8/924.136.00 | 8/924.136.00 | 8/924.136.00 | 8/924.136.00 | 8/924.136.00 | 8/924.136.00 | 8/924.136.00 | 8/924.136.00 | 8/924.136.00 |

TONGUE ASSEMBLY - Cutting Height (H)

| Assembly sequence n° | 13/64" 5.15mm | 7/32" 5.55mm | 15/64" 5.95mm | 1/4" 6.35mm | 17/64" 6.75mm | 9/32" 7.15mm | 7/16" 11.1mm | 29/64" 11.5mm | 15/32" 11.9mm | 31/64" 12.3mm | 1/2" 12.7mm | 33/64" 13.1mm | 17/32 13.5mm |
|----------------------|---------------|--------------|---------------|--------------|---------------|--------------|--------------|---------------|---------------|---------------|--------------|---------------|--------------|
| 16 | - | - | - | 990.020.00 | - | 990.020.00 | - | - | - | 990.020.00 | - | - | - |
| 15 | - | 990.020.00 | - | 541.518.00 | 990.020.00 | 541.518.00 | - | 990.020.00 | - | 541.518.00 | 990.020.00 | - | 990.020.00 |
| 14 | - | 541.518.00 | 990.020.00 | 541.518.00 | 541.516.00 | 541.500.00 | - | 541.518.00 | 990.020.00 | 541.518.00 | 541.516.00 | 990.020.00 | 541.517.00 |
| 13 | 990.020.00 | 541.518.00 | 541.518.00 | 541.500.00 | 541.518.00 | 541.500.00 | 990.020.00 | 541.518.00 | 541.518.00 | 822.028.11 | 541.518.00 | 541.516.00 | 822.028.11 |
| 12 | 541.518.00 | 541.518.00 | 541.518.00 | 541.500.00 | 541.500.00 | 822.028.11 | 541.518.00 | 541.518.00 | 541.518.00 | 541.518.00 | 822.028.11 | 541.517.00 | 541.515.00 |
| 11 | 541.518.00 | 541.500.00 | 541.500.00 | 822.028.11 | 541.500.00 | 541.518.00 | 541.518.00 | 822.028.11 | 822.028.11 | 541.516.00 | 541.515.00 | 822.028.11 | 541.518.00 |
| 10 | 541.518.00 | 541.500.00 | 541.500.00 | 541.518.00 | 822.028.11 | 541.515.00 | 541.518.00 | 541.518.00 | 541.518.00 | 541.516.00 | 541.517.00 | 541.518.00 | 541.518.00 |
| 9 | 541.500.00 | 822.028.11 | 822.028.11 | 541.516.00 | 541.518.00 | 541.516.00 | 822.028.11 | 541.516.00 | 541.516.00 | 541.500.00 | 541.518.00 | 541.518.00 | 541.500.00 |
| 8 | 541.500.00 | 541.516.00 | 541.516.00 | 541.516.00 | 541.515.00 | 541.515.00 | 541.518.00 | 541.500.00 | 541.500.00 | 791.012.00 | 541.500.00 | 541.500.00 | 791.012.00 |
| 7 | 822.028.11 | 541.518.00 | 541.518.00 | 791.012.00 | 541.517.00 | 541.517.00 | 541.500.00 | 791.012.00 | 791.012.00 | 541.500.00 | 791.012.00 | 791.012.00 | 541.516.00 |
| 6 | 541.518.00 | 791.012.00 | 791.012.00 | 541.515.00 | 791.012.00 | 791.012.00 | 791.012.00 | 541.500.00 | 541.500.00 | 541.515.00 | 541.518.00 | 541.518.00 | 541.518.00 |
| 5 | 791.012.00 | 541.515.00 | 541.517.00 | 541.517.00 | 541.518.00 | 541.518.00 | 541.500.00 | 541.515.00 | 541.517.00 | 541.517.00 | 541.500.00 | 541.500.00 | 541.500.00 |
| 4 | 541.518.00 | 541.518.00 | 541.518.00 | 541.518.00 | 541.518.00 | 541.518.00 | 541.518.00 | 541.518.00 | 541.518.00 | 541.518.00 | 541.518.00 | 541.518.00 | 541.518.00 |
| 3 | 822.028.11 | 822.028.11 | 822.028.11 | 822.028.11 | 822.028.11 | 822.028.11 | 822.028.11 | 822.028.11 | 822.028.11 | 822.028.11 | 822.028.11 | 822.028.11 | 822.028.11 |
| 2 | 541.516.00 | 541.516.00 | 541.516.00 | 541.516.00 | 541.516.00 | 541.516.00 | 541.516.00 | 541.516.00 | 541.516.00 | 541.516.00 | 541.516.00 | 541.516.00 | 541.516.00 |
| 1 | 8/924.136.00 | 8/924.136.00 | 8/924.136.00 | 8/924.136.00 | 8/924.136.00 | 8/924.136.00 | 8/924.136.00 | 8/924.136.00 | 8/924.136.00 | 8/924.136.00 | 8/924.136.00 | 8/924.136.00 | 8/924.136.00 |



TONGUE ASSEMBLY Example for 13/64" (5,15mm)



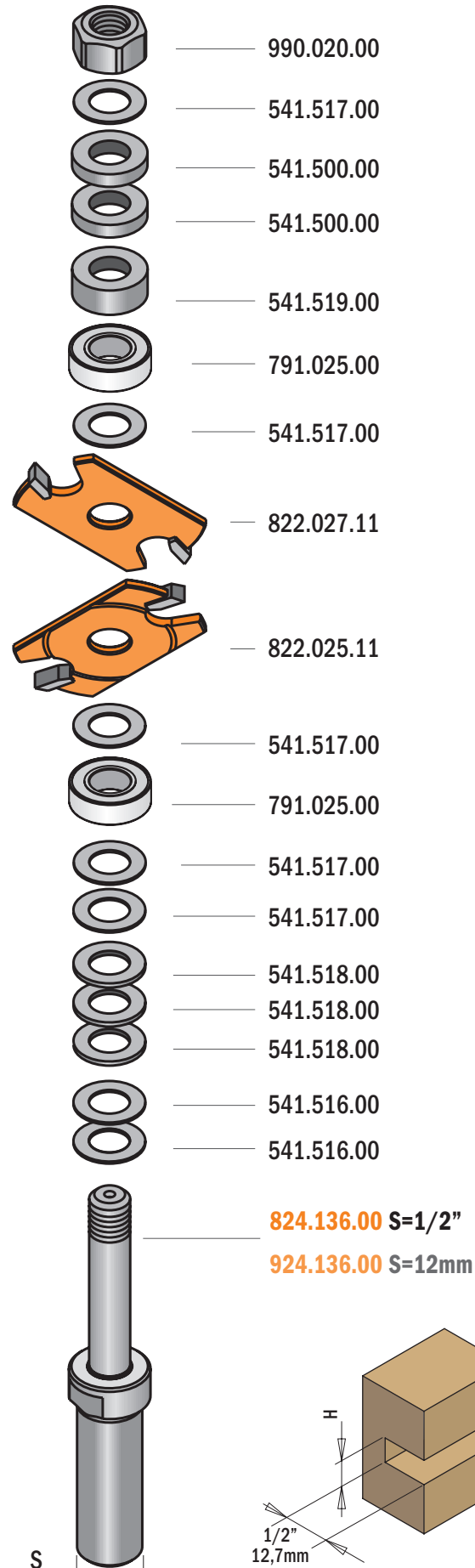
824.136.00 S=1/2"

924.136.00 S=12mm

800.625.11 (Shank 1/2") - ASSEMBLY FOR 1/2" CUTTING DEPTH

900.625.11 (Shank 12mm) - ASSEMBLY FOR 12,7MM CUTTING DEPTH

GROOVE ASSEMBLY Example for 13/64" (5,15mm)



824.136.00 S=1/2"
924.136.00 S=12mm

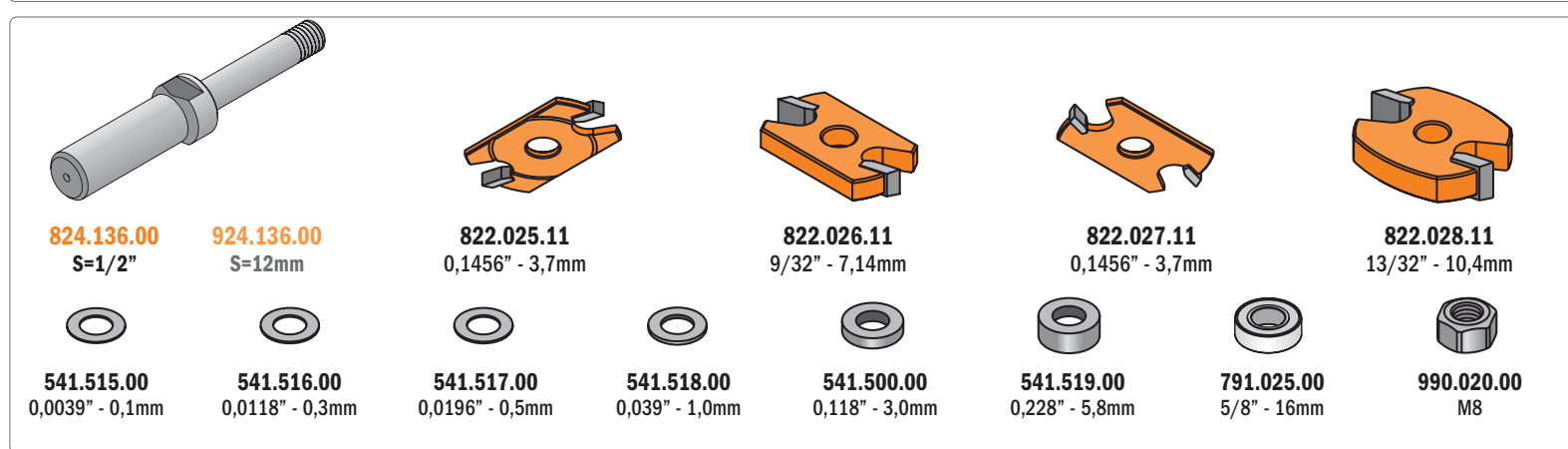
1/2"
12,7mm

GROOVE - Cutting Heigh (H)

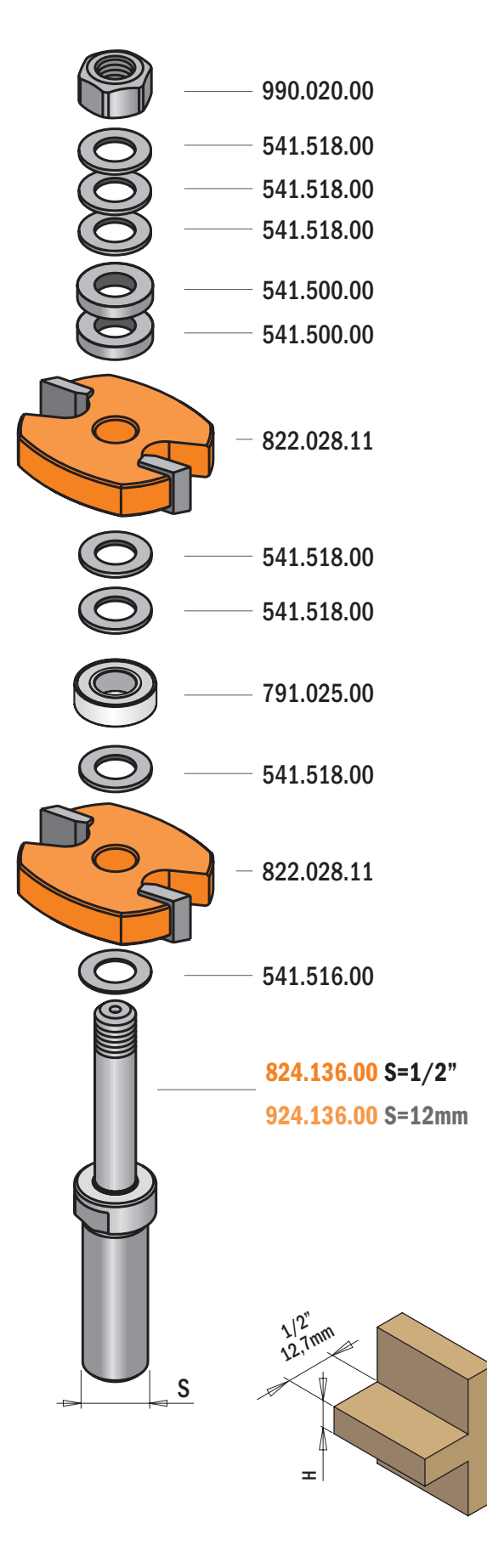
| Assembly sequence n° | 13/64" 5.15mm | 7/32" 5.55mm | 15/64" 5.95mm | 1/4" 6.35mm | 17/64" 6.75mm | 9/32" 7.15mm | 7/16" 11.1mm | 29/64" 11.5mm | 15/32" 11.9mm | 31/64" 12.3mm | 1/2" 12.7mm | 33/64" 13.1mm | 17/32 13.5mm |
|----------------------|---------------|--------------|---------------|--------------|---------------|--------------|--------------|---------------|---------------|---------------|--------------|---------------|--------------|
| 22 | - | - | - | - | - | 990.020.00 | - | - | - | - | - | - | - |
| 21 | - | - | - | 990.020.00 | 990.020.00 | 541.517.00 | - | - | - | 990.020.00 | - | - | - |
| 20 | - | 990.020.00 | 990.020.00 | 541.517.00 | 541.516.00 | 541.518.00 | - | - | - | 541.518.00 | - | - | 990.020.00 |
| 19 | 990.020.00 | 541.500.00 | 541.500.00 | 541.517.00 | 541.517.00 | 541.500.00 | - | - | - | 541.500.00 | 990.020.00 | 990.020.00 | 541.518.00 |
| 18 | 541.517.00 | 541.500.00 | 541.500.00 | 541.518.00 | 541.518.00 | 541.519.00 | - | - | - | 541.500.00 | 541.518.00 | 541.516.00 | 541.500.00 |
| 17 | 541.500.00 | 541.519.00 | 541.519.00 | 541.500.00 | 541.500.00 | 791.025.00 | - | 990.020.00 | 990.020.00 | 791.025.00 | 541.500.00 | 541.518.00 | 791.025.00 |
| 16 | 541.500.00 | 791.025.00 | 791.025.00 | 541.519.00 | 541.519.00 | 541.517.00 | 990.020.00 | 541.519.00 | 541.519.00 | 541.517.00 | 791.025.00 | 541.500.00 | 541.517.00 |
| 15 | 541.519.00 | 541.517.00 | 541.517.00 | 791.025.00 | 791.025.00 | 822.027.11 | 541.517.00 | 791.025.00 | 791.025.00 | 822.027.11 | 541.517.00 | 791.025.00 | 822.027.11 |
| 14 | 791.025.00 | 822.027.11 | 822.027.11 | 541.517.00 | 541.517.00 | 541.515.00 | 541.519.00 | 541.517.00 | 541.517.00 | 541.516.00 | 822.027.11 | 541.517.00 | 541.515.00 |
| 13 | 541.517.00 | 541.515.00 | 541.517.00 | 822.027.11 | 822.027.11 | 541.515.00 | 791.025.00 | 822.027.11 | 822.027.11 | 541.516.00 | 541.515.00 | 822.027.11 | 541.518.00 |
| 12 | 822.027.11 | 541.516.00 | 541.516.00 | 541.515.00 | 541.515.00 | 541.516.00 | 541.517.00 | 541.516.00 | 541.516.00 | 822.026.11 | 541.517.00 | 541.518.00 | 822.026.11 |
| 11 | 822.025.11 | 822.025.11 | 822.025.11 | 541.515.00 | 541.518.00 | 541.518.00 | 822.027.11 | 822.026.11 | 822.026.11 | 541.515.00 | 822.026.11 | 822.026.11 | 541.516.00 |
| 10 | 541.517.00 | 541.517.00 | 541.517.00 | 541.517.00 | 541.517.00 | 541.517.00 | 822.026.11 | 541.515.00 | 541.517.00 | 541.517.00 | 541.518.00 | 541.518.00 | 541.518.00 |
| 9 | 791.025.00 | 791.025.00 | 791.025.00 | 822.025.11 | 822.025.11 | 822.025.11 | 822.025.11 | 822.025.11 | 822.025.11 | 822.025.11 | 822.025.11 | 822.025.11 | 822.025.11 |
| 8 | 541.517.00 | 541.517.00 | 541.517.00 | 541.517.00 | 541.517.00 | 541.517.00 | 541.517.00 | 541.517.00 | 541.517.00 | 541.517.00 | 541.517.00 | 541.517.00 | 541.517.00 |
| 7 | 541.517.00 | 541.517.00 | 541.517.00 | 791.025.00 | 791.025.00 | 791.025.00 | 791.025.00 | 791.025.00 | 791.025.00 | 791.025.00 | 791.025.00 | 791.025.00 | 791.025.00 |
| 6 | 541.518.00 | 541.518.00 | 541.518.00 | 541.517.00 | 541.517.00 | 541.517.00 | 541.517.00 | 541.517.00 | 541.517.00 | 541.517.00 | 541.517.00 | 541.517.00 | 541.517.00 |
| 5 | 541.518.00 | 541.518.00 | 541.518.00 | 541.517.00 | 541.517.00 | 541.517.00 | 541.517.00 | 541.517.00 | 541.517.00 | 541.517.00 | 541.517.00 | 541.517.00 | 541.517.00 |
| 4 | 541.518.00 | 541.518.00 | 541.518.00 | 541.518.00 | 541.500.00 | 541.500.00 | 541.500.00 | 541.500.00 | 541.500.00 | 541.500.00 | 541.500.00 | 541.500.00 | 541.500.00 |
| 3 | 541.516.00 | 541.516.00 | 541.516.00 | 541.516.00 | 541.516.00 | 541.516.00 | 541.516.00 | 541.516.00 | 541.516.00 | 541.516.00 | 541.516.00 | 541.516.00 | 541.516.00 |
| 2 | 541.516.00 | 541.516.00 | 541.516.00 | 541.516.00 | 541.516.00 | 541.516.00 | 541.516.00 | 541.516.00 | 541.516.00 | 541.516.00 | 541.516.00 | 541.516.00 | 541.516.00 |
| 1 | 8/924.136.00 | 8/924.136.00 | 8/924.136.00 | 8/924.136.00 | 8/924.136.00 | 8/924.136.00 | 8/924.136.00 | 8/924.136.00 | 8/924.136.00 | 8/924.136.00 | 8/924.136.00 | 8/924.136.00 | 8/924.136.00 |

TONGUE - Cutting Heigh (H)

| Assembly sequence n° | 13/64" 5.15mm | 7/32" 5.55mm | 15/64" 5.95mm | 1/4" 6.35mm | 17/64" 6.75mm | 9/32" 7.15mm | 7/16" 11.1mm | 29/64" 11.5mm | 15/32" 11.9mm | 31/64" 12.3mm | 1/2" 12.7mm | 33/64" 13.1mm | 17/32 13.5mm |
|----------------------|---------------|--------------|---------------|--------------|---------------|--------------|--------------|---------------|---------------|---------------|--------------|---------------|--------------|
| 17 | - | - | - | 990.020.00 | - | 990.020.00 | - | - | - | 990.020.00 | - | - | - |
| 16 | - | 990.020.00 | - | 541.518.00 | 990.020.00 | 541.518.00 | - | 990.020.00 | - | 541.518.00 | 990.020.00 | - | 990.020.00 |
| 15 | - | 541.518.00 | 990.020.00 | 541.518.00 | 541.516.00 | 541.500.00 | - | 541.518.00 | 990.020.00 | 541.518.00 | 541.516.00 | 990.020.00 | 541.517.00 |
| 14 | 990.020.00 | 541.518.00 | 541.518.00 | 541.500.00 | 541.518.00 | 541.500.00 | 990.020.00 | 541.518.00 | 541.518.00 | 822.028.11 | 541.518.00 | 541.516.00 | 822.028.11 |
| 13 | 541.518.00 | 541.518.00 | 541.518.00 | 541.500.00 | 541.500.00 | 822.028.11 | 541.518.00 | 541.518.00 | 541.518.00 | 541.518.00 | 822.028.11 | 541.517.00 | 541.515.00 |
| 12 | 541.518.00 | 541.500.00 | 541.500.00 | 822.028.11 | 541.500.00 | 541.518.00 | 541.518.00 | 822.028.11 | 822.028.11 | 541.516.00 | 541.515.00 | 822.028.11 | 541.518.00 |
| 11 | 541.518.00 | 541.500.00 | 541.500.00 | 541.518.00 | 822.028.11 | 541.515.00 | 541.518.00 | 541.518.00 | 541.518.00 | 541.516.00 | 541.517.00 | 541.518.00 | 541.518.00 |
| 10 | 541.500.00 | 822.028.11 | 822.028.11 | 541.516.00 | 541.518.00 | 541.516.00 | 822.028.11 | 541.516.00 | 541.516.00 | 541.500.00 | 541.518.00 | 541.518.00 | 541.500.00 |
| 9 | 541.500.00 | 541.516.00 | 541.516.00 | 541.516.00 | 541.515.00 | 541.515.00 | 541.518.00 | 541.500.00 | 541.500.00 | 541.518.00 | 541.500.00 | 541.500.00 | 541.518.00 |
| 8 | 822.028.11 | 541.518.00 | 541.518.00 | 541.518.00 | 541.517.00 | 541.517.00 | 541.500.00 | 541.518.00 | 541.518.00 | 791.025.00 | 541.518.00 | 541.518.00 | 791.025.00 |
| 7 | 541.518.00 | 541.518.00 | 541.518.00 | 791.025.00 | 541.518.00 | 541.518.00 | 541.518.00 | 791.025.00 | 791.025.00 | 541.500.00 | 791.025.00 | 791.025.00 | 541.516.00 |
| 6 | 541.518.00 | 791.025.00 | 791.025.00 | 541.515.00 | 791.025.00 | 791.025.00 | 791.025.00 | 541.500.00 | 541.500.00 | 541.515.00 | 541.518.00 | 541.518.00 | 541.518.00 |
| 5 | 791.025.00 | 541.515.00 | 541.517.00 | 541.517.00 | 541.518.00 | 541.518.00 | 541.500.00 | 541.515.00 | 541.517.00 | 541.517.00 | 541.500.00 | 541.500.00 | 541.500.00 |
| 4 | 541.518.00 | 541.518.00 | 541.518.00 | 541.518.00 | 541.518.00 | 541.518.00 | 541.518.00 | 541.518.00 | 541.518.00 | 541.518.00 | 541.518.00 | 541.518.00 | 541.518.00 |
| 3 | 822.028.11 | 822.028.11 | 822.028.11 | 822.028.11 | 822.028.11 | 822.028.11 | 822.028.11 | 822.028.11 | 822.028.11 | 822.028.11 | 822.028.11 | 822.028.11 | 822.028.11 |
| 2 | 541.516.00 | 541.516.00 | 541.516.00 | 541.516.00 | 541.516.00 | 541.516.00 | 541.516.00 | 541.516.00 | 541.516.00 | 541.516.00 | 541.516.00 | 541.516.00 | 541.516.00 |
| 1 | 8/924.136.00 | 8/924.136.00 | 8/924.136.00 | 8/924.136.00 | 8/924.136.00 | 8/924.136.00 | 8/924.136.00 | 8/924.136.00 | 8/924.136.00 | 8/924.136.00 | 8/924.136.00 | 8/924.136.00 | 8/924.136.00 |



TONGUE ASSEMBLY Example for 13/64" (5,15mm)



824.136.00 S=1/2"
924.136.00 S=12mm

1/2"
12,7mm