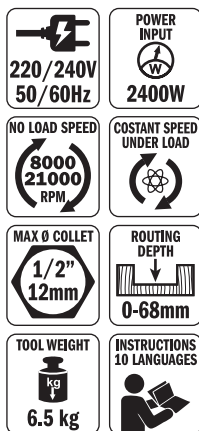
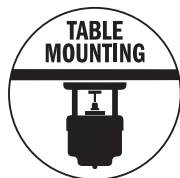


CMT ORANGE TOOLS®



DUAL MODE



CMT7E

2400W Precision Router

ES Electrofresadora **FR** Défonceuse **IT** Elettrofresatrice **DE** Oberfräse **PT** Eletrofresadora
DA Overfræser **PL** Frezarka **CZ** Horní frézka **RU** Фрезер

EN - OPERATING & SAFETY INSTRUCTIONS (PAGE 8)

ES - INSTRUCCIONES DE USO Y DE SEGURIDAD (PÁGINA 15)

FR - INSTRUCTIONS D'UTILISATION ET CONSIGNES DE SÉCURITÉ (PAGE 22)

IT - ISTRUZIONI PER L'USO E LA SICUREZZA (PAGINA 29)

DE - SICHERHEITS- UND BEDIENUNGSANLEITUNG (SEITE 36)

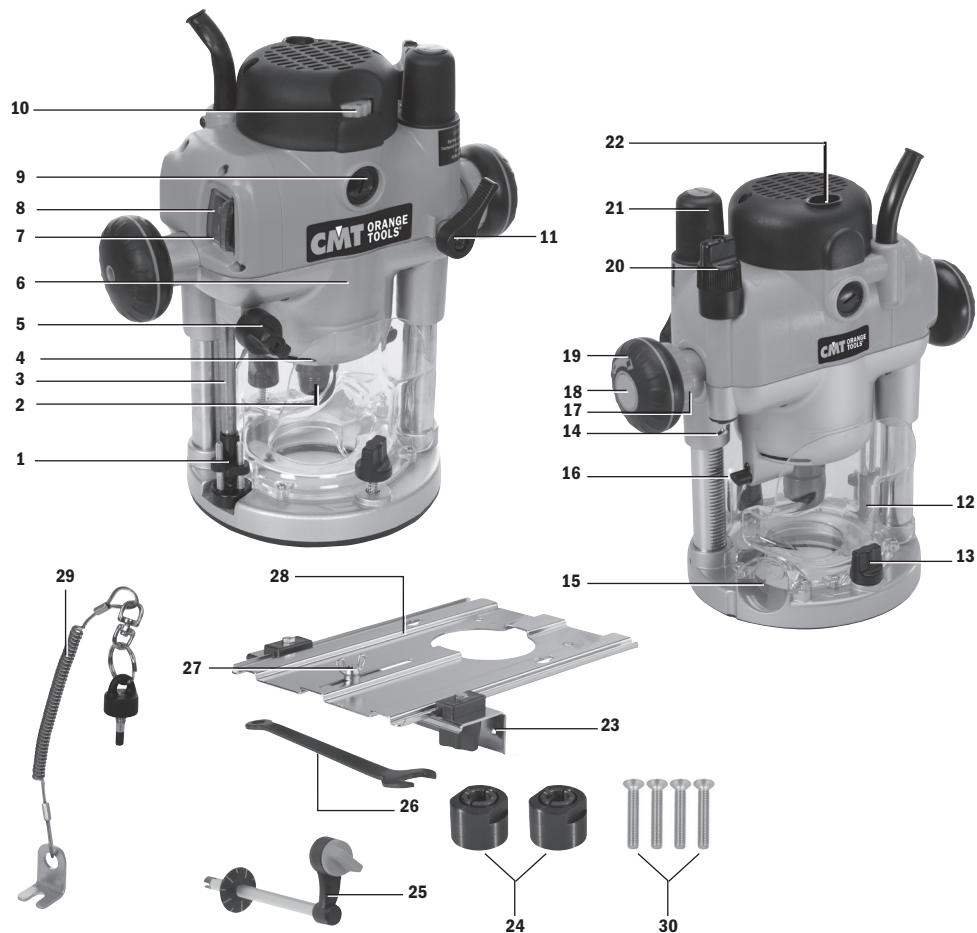
PT - INSTRUÇÕES DE OPERAÇÃO E SEGURANÇA (PÁGINA 43)

DA - BETJENINGS OG SIKKERHEDSINSTRUKTIONER (SIDE 50)

PL - INSTRUKCJA OBSŁUGI I BEZPIECZEŃSTWA (STRONA 57)

CZ - NÁVOD K OBSLUZE A BEZPEČNOSTNÍ POKYNY (STRANA 64)

RU - ИНСТРУКЦИИ ПО ЭКСПЛУАТАЦИИ И ПРАВИЛА ТЕХНИКИ БЕЗОПАСНОСТИ (СТРАНИЦА 71)

**Optional (Not Included)****Collets**

DIAMETER	ORDER NO.
D = 6mm	796.660.00
D = 6,35mm	796.664.00
D = 8mm	796.680.00
D = 10mm	796.700.00
D = 12mm	796.720.00
D = 12,7mm	796.727.00

**Optional (Not Included)****DESCRIPTION**

Prebored
plastic router plate
Guide bush Ø30mm

ORDER NO.

CMT300-SB
899.007.00

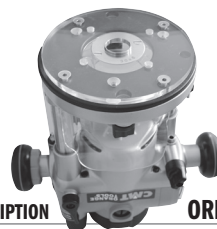


Fig. I

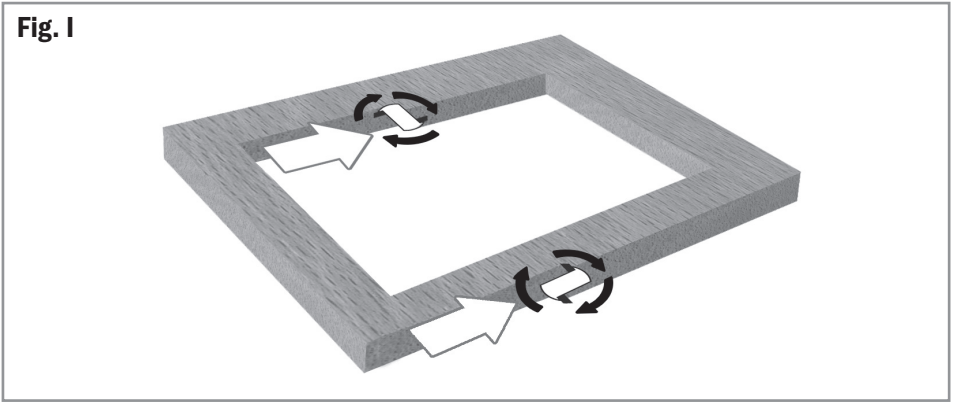
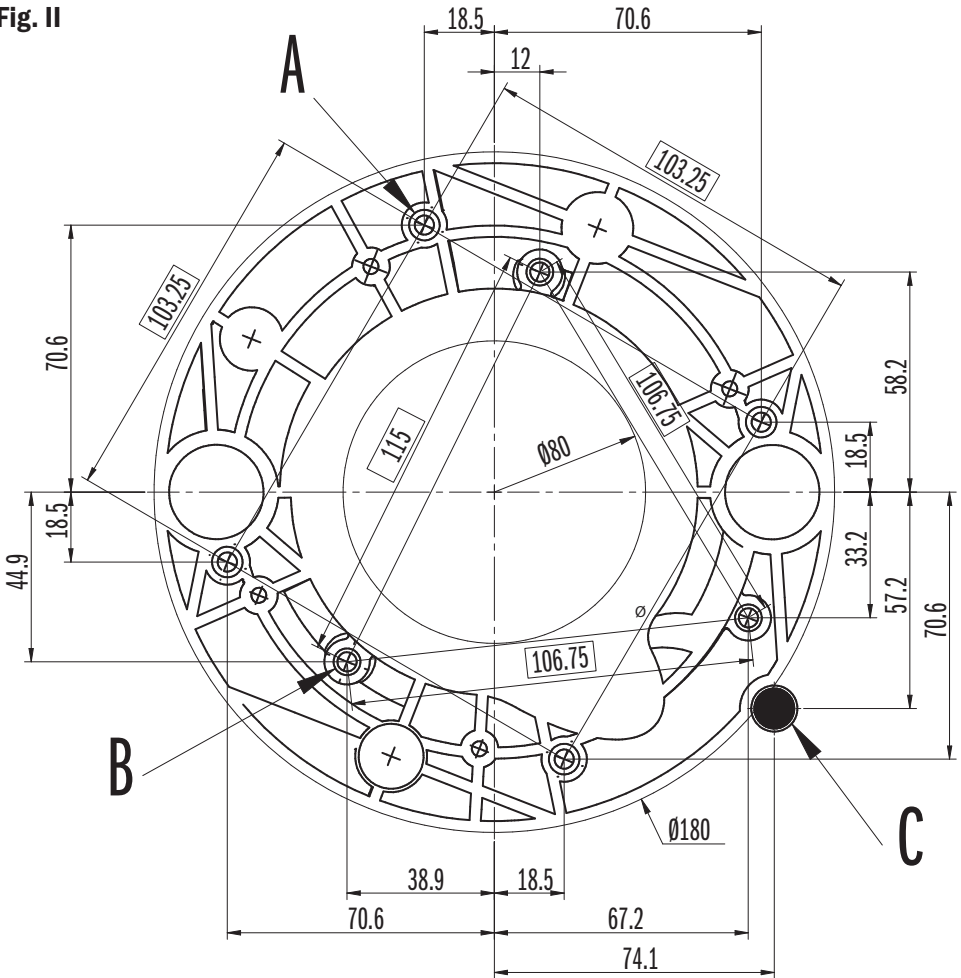


Fig. II



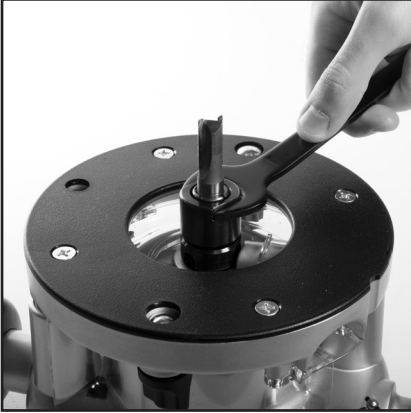
A



B



C



D



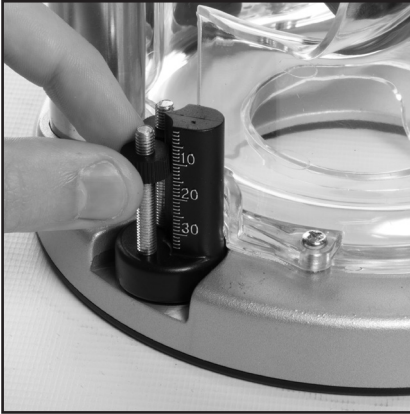
E



F



G



H



I



J



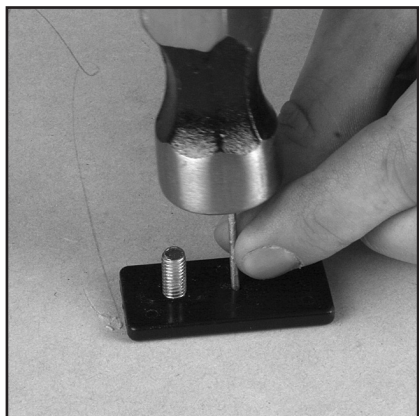
K



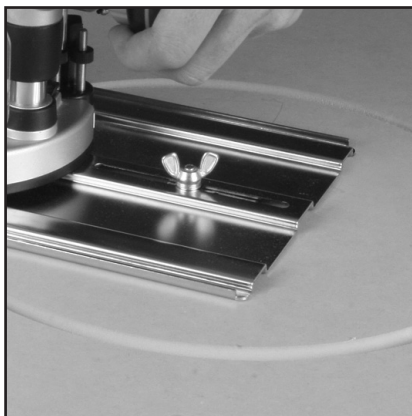
L



M



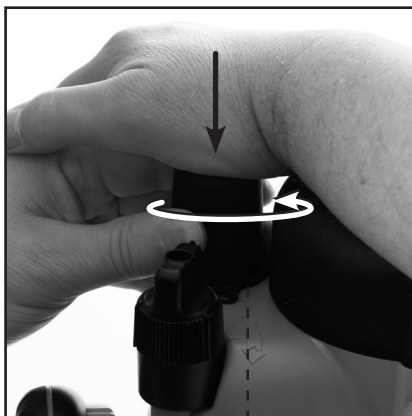
N



O



P



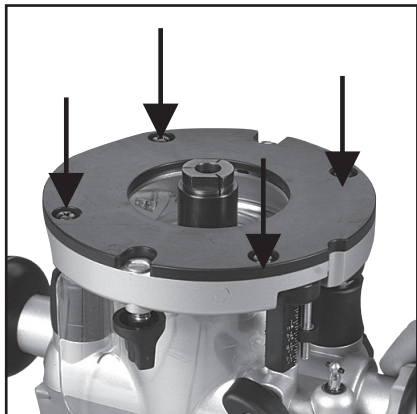
Q



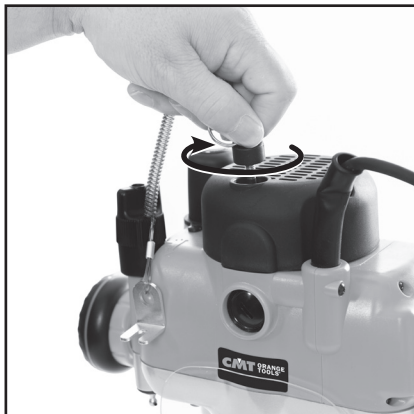
R



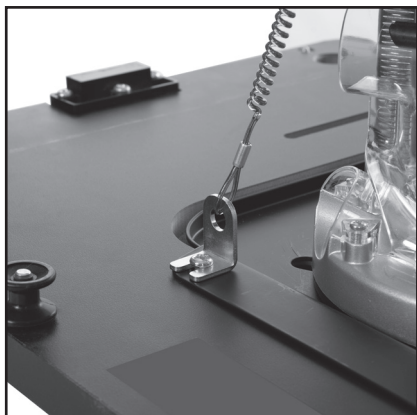
S



T



U



Original Instructions

Introduction

Thank you for purchasing this CMT product. This manual contains information necessary for safe and effective operation of this product. This product has unique features and, even if you are familiar with similar products, it is necessary to read this manual carefully to ensure you fully understand the instructions. Ensure all users of the product read and fully understand this manual. Keep these instructions with the product for future reference.

Description of Symbols

The rating plate on your tool may show symbols. These represent important information about the product or instructions on its use.



Wear hearing protection
Wear eye protection
Wear breathing protection
Wear head protection



Wear hand protection



WARNING - To reduce the risk of injury, user must read instruction manual



Caution



Warning: Sharp blades or teeth!



DO NOT use in rain or damp environments!



Always disconnect from the power supply when adjusting, changing accessories, cleaning, carrying out maintenance and when not in use!



Dust extraction required or recommended



Class II construction (double insulated for additional protection)



Environmental Protection. Waste electrical products should not be disposed of with household waste. Please recycle where facilities exist. Check with your local authority or retailer for recycling advice.



Conforms to relevant legislation and safety standards.

Technical Abbreviations Key

V	Volts
~	Alternating current
A	Ampere
Hz	Hertz
W, kW	Watt, kilowatt
min ⁻¹	Revolutions per minute

Specification

Model no:	CMT7E
Voltage:	220 - 240V~ 50/60Hz
Max input current:	9.1A
Max output power:	2400W
No-load speed:	8000 - 21,000min ⁻¹
Collet:	8mm & 12mm
Maximum cutter diameter (Free Plunge):	55mm (2-3/16")
Maximum collet size:	½" (12.7mm)
Height adjustment:	1) Free Plunge 2) Table Height Winder 3) Micro Adjuster (Fine Adjustment)
Plunge Range:	0-68mm
Ingress protection:	IPX0
Protection class:	□
Power cord length:	3m
Dimensions (L x W x H):	180 x 300 x 310mm
Weight:	6.5 kg
As part of our ongoing product development, specifications of CMT products may alter without notice	
Sound and vibration information:	
Sound pressure L_{pa}:	84.2dB(A)
Sound power L_{wa}:	95.2dB(A)
Uncertainty K:	3dB(A)
Weighted Vibration a_w:	5.4m/s ²
Uncertainty K:	1.5m/s ²

The sound intensity level for the operator may exceed 85dB(A) and sound protection measures are necessary.

⚠ WARNING: Always wear ear protection where the sound level exceeds 85dB(A) and limit the time of exposure if necessary. If sound levels are uncomfortable, even with ear protection, stop using the tool immediately and check the ear protection is correctly fitted and provides the correct level of sound attenuation for the level of sound produced by your tool.

⚠ WARNING: User exposure to tool vibration can result in loss of sense of touch, numbness, tingling and reduced ability to grip. Long term exposure can lead to a chronic condition. If necessary, limit the length of time exposed to vibration and use anti-vibration gloves. Do not operate the tool with hands below a normal comfortable temperature, as vibration will have a greater effect. Use the figures provided in the specification relating to vibration to calculate the duration and frequency of operating the tool.

⚠ WARNING: The vibration emission during actual use of the power tool can differ from the declared total value depending on the ways in which the tool is used. There is the need to identify safety measures to protect the operator that are based on an estimation of exposure in the actual conditions of use (taking account of all parts of the operating cycle such as the times when the tool is switched off and when it is running idle in addition to the trigger time).

The declared vibration total value has been measured in accordance with a standard test method and may be used for comparing one tool with another. The declared vibration total value may also be used in a preliminary assessment of exposure.

Sound levels in the specification are determined according to international standards. The figures represent normal use for the tool in normal working conditions. A poorly maintained, incorrectly assembled, or misused tool, may produce increased levels of noise and vibration. www.osha.europa.eu provides information on sound and vibration levels in the workplace that may be useful to domestic users who use tools for long periods of time.

General Power Tool Safety Warnings

⚠ WARNING: Read all safety warnings, instructions, illustrations and specifications provided with this power tool. Failure to follow all instructions listed below may result in electric shock, fire and/or serious injury.

Save all warnings and instructions for future reference.

The term "power tool" in the warnings refers to your mains-operated (corded) power tool or battery-operated (cordless) power tool.

1) Work area safety

- a) **Keep work area clean and well lit.** Cluttered or dark areas invite accidents.
- b) **Do not operate power tools in explosive atmospheres, such as in the presence of flammable liquids, gases or dust.** Power tools create sparks which may ignite the dust or fumes.
- c) **Keep children and bystanders away while operating a power tool.** Distractions can cause you to lose control.

2) Electrical safety

- a) **Power tool plugs must match the outlet. Never modify the plug in any way. Do not use any adapter plugs with earthed (grounded) power tools.** Unmodified plugs and matching outlets will reduce risk of electric shock.
- b) **Avoid body contact with earthed or grounded surfaces, such as pipes, radiators, ranges and refrigerators.** There is an increased risk of electric shock if your body is earthed or grounded.
- c) **Do not expose power tools to rain or wet conditions.** Water entering a power tool will increase the risk of electric shock.
- d) **Do not abuse the cord. Never use the cord for carrying, pulling or unplugging the power tool. Keep cord away from heat, oil, sharp edges or moving parts.** Damaged or entangled cords increase the risk of electric shock.
- e) **When operating a power tool outdoors, use an extension cord suitable for outdoor use.** Use of a cord suitable for outdoor use reduces the risk of electric shock.
- f) **If operating a power tool in a damp location is unavoidable, use a residual current device (RCD) protected supply.** Use of an RCD reduces the risk of electric shock.
- g) **When used in Australia or New Zealand, it is recommended that this tool is ALWAYS supplied via Residual Current Device (RCD) with a rated residual current of 30mA or less.**
- h) **Use proper extension cord. Make sure your extension cord is in good condition. When using an extension cord, be sure to use one heavy enough to carry the current your product will draw.** An undersized cord will cause a drop in line voltage resulting in loss of power and overheating.

3) Personal safety

- a) **Stay alert, watch what you are doing and use common sense when operating a power tool. Do not use a power tool while you are tired or under the influence of drugs, alcohol or medication.** A moment of inattention while operating power tools may result in serious personal injury.
- b) **Use personal protective equipment. Always wear eye protection.** Protective equipment such as a dust mask, non-skid safety shoes, hard hat or hearing protection used for appropriate conditions will reduce personal injuries.

- c) **Prevent unintentional starting. Ensure the switch is in the OFF-position before connecting to power source and/or battery pack, picking up or carrying the tool.** Carrying power tools with your finger on the switch or energising power tools that have the switch ON invites accidents.
- d) **Remove any adjusting key or wrench before turning the power tool ON.** A wrench or a key left attached to a rotating part of the power tool may result in personal injury.
- e) **Do not overreach. Keep proper footing and balance at all times.** This enables better control of the power tool in unexpected situations.
- f) **Dress properly. Do not wear loose clothing or jewellery. Keep your hair and clothing away from moving parts.** Loose clothes, jewellery or long hair can be caught in moving parts.
- g) **If devices are provided for the connection of dust extraction and collection facilities, ensure these are connected and properly used.** Use of dust collection can reduce dust-related hazards.
- h) **Do not let familiarity gained from frequent use of tools allow you to become complacent and ignore tool safety principles.** A careless action can cause severe injury within a fraction of a second.
- 4) **Power tool use and care**
 - a) **Do not force the power tool. Use the correct power tool for your application.** The correct power tool will do the job better and safer at the rate for which it was designed.
 - b) **Do not use the power tool if the switch does not turn it ON and OFF.** Any power tool that cannot be controlled with the switch is dangerous and must be repaired.
- c) **Disconnect the plug from the power source and/or remove the battery pack, if detachable, from the power tool before making any adjustments, changing accessories, or storing power tools.** Such preventive safety measures reduce the risk of starting the power tool accidentally.
- d) **Store idle power tools out of the reach of children and do not allow persons unfamiliar with the power tool or these instructions to operate the power tool.** Power tools are dangerous in the hands of untrained users.
- e) **Maintain power tools and accessories. Check for misalignment or binding of moving parts, breakage of parts and any other condition that may affect the power tool's operation.** If damaged, have the power tool repaired before use. Many accidents are caused by poorly maintained power tools.
- f) **Keep cutting tools sharp and clean.** Properly maintained cutting tools with sharp cutting edges are less likely to bind and are easier to control.
- g) **Use the power tool, accessories and tool bits, etc. in accordance with these instructions, taking into account the working conditions and the work to be performed.** Use of the power tool for operations different from those intended could result in a hazardous situation.
- h) **Keep handles and grasping surfaces dry, clean and free from oil and grease.** Slippery handles and grasping surfaces do not allow for safe handling and control of the tool in unexpected situations.
- 5) **Service**
 - a) **Have your power tool serviced by a qualified repair person using only identical replacement parts.** This will ensure that the safety of the power tool is maintained.

Additional Safety for Routers



- Hold the power tool by insulated gripping surfaces only, because the cutter may contact its own cord. Cutting a "live" wire may make exposed metal parts of the power tool "live" and could give the operator an electric shock.
- Use clamps or another practical way to secure and support the workpiece to a stable platform. Holding the work by your hand or against the body leaves it unstable and may lead to loss of control.
- If the replacement of the supply cord is necessary, this has to be done by the manufacturer or his agent in order to avoid a safety hazard.
- It is strongly recommended that the tool always be supplied via a residual current device with a rated residual current of 30 mA or less.
- a) Use safety equipment including safety goggles or shield, ear protection, dust mask and protective clothing including safety gloves
- b) Cloths, cord, string etc should never be left around the work area
- c) Ensure the mains supply voltage is the same as the tool rating plate voltage
- d) Ensure any cable extensions used with this tool are in a safe electrical condition, and have the correct ampere rating for the tool
- e) Completely unwind cable drum extensions to avoid potential overheating
- f) Use appropriate detectors to determine if utility cables or pipes are below the surface of the work area. Consult utility companies for assistance if necessary. Contact with electric cables can lead to electric shock and fire. Damaging a gas pipe can lead to explosion. Contact with water lines can lead to major property damage
- g) Ensure embedded objects such as nails and screws have been removed from the workpiece before commencing operation
- h) Handle router bits with care as they can be extremely sharp
- i) Before use, check the bit carefully for signs of damage or cracks. Replace damaged or cracked bits immediately
- j) Ensure router cutters/bits are sharp and maintained correctly. Dull cutting edges can lead to uncontrolled situations including stalling, increased heat and possible injury
- k) ALWAYS use both handles and maintain a firm grip on the router before proceeding with any work
- l) Keep handles and gripping surfaces dry, clean and free of oil and grease to ensure the tool can be securely held in use
- m) Before using the tool to make a cut, switch on and let it run for a while. Vibration could indicate an improperly installed bit
- n) Take notice of the direction of rotation of the bit and the direction of feed
- o) Keep your hands away from the routing area and router bit cutter. Hold the auxiliary handle or an insulated gripping surface with your second hand
- p) NEVER start the router while the cutter is touching the workpiece
- q) Ensure the plunge spring is always fitted when using hand-held
- r) Ensure the cutter has completely stopped before plunging to the collet lock position
- s) The maximum speed of the router bit/cutter must be at least as high as the maximum speed of the power tool
- t) Parts of the router bits may become hot during operation. Do not handle immediately after use to avoid risk of burns
- u) Do not allow parts to come into contact with combustible materials
- v) The shank size of the router cutter/bit must be matched to the exact same size collet fitted to the router. Incorrectly fitted router cutter/bits will rotate irregularly and have increased vibration that could lead to loss of control
- w) DO NOT press the spindle lock button, or attempt to switch the tool into bit change mode while the router is operating
- x) Keep pressure constant while cutting into the workpiece, allowing the router bit cutter to dictate the speed of cut. DO NOT force the tool and overload the motor
- y) Ensure rating labels and safety warnings on the tool remain clear to read and are replaced if marked or damaged
- z) When operating the router, be prepared for the router bit cutter stalling in the workpiece and causing loss of control. Always ensure the router is firmly held and the on/off switch is immediately released in such circumstances
- After switching on the router, check the router bit is rotating evenly (not 'wobbling') and there is no additional vibration due to the router bit being incorrectly fitted. Operating the router with an incorrectly fitted router bit can lead to loss of control and severe injury
- EXTREME care must be taken when using cutters with a diameter greater 50mm (2"). Use very slow feed rates and/or multiple shallow cuts to avoid overloading the motor
- ALWAYS switch off and wait until the bit has come to a complete standstill before removing the machine from the workpiece
- Disconnect from the power supply before carrying out any adjustment, servicing or maintenance
- Even when this tool is used as prescribed it is not possible to eliminate all residual risk factors. If you are in any doubt as to safe use of this tool, do not use it

⚠ WARNING: Dust generated by using power tools can be toxic. Some materials may be chemically treated or coated and be a toxic hazard. Some natural and composite materials may contain toxic chemicals. Some older paints may contain lead and other chemicals. Avoid prolonged exposure to dust generated from operating a router. DO NOT allow dust to get onto skin or eyes and do not allow the dust to enter your mouth to prevent absorption of harmful chemicals. Where possible, work in a well-ventilated area. Use a suitable dust mask and dust extraction system where possible. Where there is a higher frequency of exposure, it is more critical that all safety precautions are followed and a higher level of personal protection is used.

Product Familiarisation

1. Turret Stops
2. Chuck
3. Depth Stop
4. Side Air Vents
5. Depth Stop Lock Knob
6. Motor
7. Retracting Power Switch Cover
8. On/Off Power Switch
9. Brush Access Covers
10. Speed Controller
11. Plunge Lock Lever
12. Safety Guards
13. Baseplate Mounting Knobs
14. Table Height Winder Connection Point
15. Dust Extraction Port
16. Automatic Spindle Lock
17. Winder Handle Clutch Ring
18. Plunge Selection Button
19. Winder Handle
20. Micro Winder
21. Plunge Spring Access Cap
22. NVR Bypass Key Connection
23. Fence
24. Collet (x 2)
25. Table Height Winder
26. Spanner
27. Circle Cutting Pivot Mount
28. Extended Baseplate
29. Bypass Key
30. Screws (1/4 UNC x 4) for fastening on CMT table (spare part 990.467.00)

Fig. II

- A. 1/4 UNC x4
- B. M6 x3
- C. Table Winder Indent

Intended Use

Hand-held precision plunge router. Used for cutting profiles, grooves, edges and elongated holes in natural and composite wood. Also used with guide bushes and templates for cutting shapes, following patterns, as well as for stationary installation in compatible router table systems.

The tool must ONLY be used for its intended purpose. Any use other than those mentioned in this manual will be considered a case of misuse. The operator, and not the manufacturer, shall be liable for any damage or injury resulting from such cases of misuse. The manufacturer shall not be liable for any modifications made to the tool, nor for any damage resulting from such modifications.

Unpacking Your Tool

- Carefully unpack and inspect your new plunge router. Familiarise yourself with all its features and functions
- Ensure that all parts of the tool are present and in good condition. If any parts are missing or damaged, have such parts replaced before attempting to use this tool

Before Use

⚠️ WARNING: Ensure the tool is disconnected from the power supply before attaching or changing any accessories, or making any adjustments.

⚠️ WARNING: Periodically, during prolonged use or when the router has been transported or dropped, check the Plunge Spring Access Cap (21) is correctly located and secured in place. It should sit parallel with the body of the tool with no visible gap, and the securing screw should be correctly located to prevent the Plunge Spring Access Cap from accidentally unscrewing, see Image O. The plunge spring is tensioned with sufficient force to cause serious injury if released in an uncontrolled manner. Always follow the instructions carefully when removing and replacing the plunge spring.

Collet & cutter installation

Note: Wear protective gloves when inserting and removing router bits due to the sharp edges of the cutters.

- Place the router upside down on a secure flat surface, with the motor completely stationary and the power cable removed from the mains
- Plunge the router to its maximum depth by pressing the Winder Handle Clutch Ring (17) (Image B) inwards, and turning the Winder Handle (19) clockwise until the Collet (24) is protruding the base

Note: Ensure the Depth Stop (3) is fully retracted (see 'Depth stop and turret'). The Collet should be protruding through the base, allowing easy spanner access

- Using the Spanner (26) provided, loosen the Collet by turning it anti-clockwise until removal
- Select the desired Collet, and install into the Chuck (2) by screwing the Collet in clockwise
- Insert the router cutter into the Collet ensuring that at least 20mm or 3/4 of the shaft (whichever is greater) is inserted into the Collet, then use the Spanner to turn the Collet slightly, allowing the collet lock to engage (Image C). Once engaged, turn the spanner clockwise to tighten the cutter
- Return the router to a normal operating depth. This will disengage the collet lock and release the retracting switch shutter, enabling access to the On/Off Power Switch (8)

Dust extraction port

Note: The CMT7E Router is equipped with a Dust Extraction Port (15) for chip extraction above the cut. The Dust Extraction Port accepts hoses measuring 38mm (1 1/2") with lefthand threading (anti-clockwise) (Image D).

Extended baseplate & fence installation

- Locate the two Baseplate Mounting Knobs (13) and loosen them completely. This permits the mounting studs to engage the router securing holes on the Extended Baseplate (28)
- Turn both the plunge router and the Extended Baseplate upside down
- Press the Baseplate Mounting Knobs on the plunge router inwards, to expose the mounting studs
- Align the mounting studs with the router securing holes on the Extended Baseplate, and slide into the keyhole slots (Image K)

Note: The orientation of the Extended Baseplate depends on where the support is required. For edge work, locate the On/Off Power Switch (8) on the short overhang side of the base

- Tighten the Baseplate Mounting Knobs on the plunge router firmly to secure the plunge router to the Extended Baseplate
- To fit the Fence (23) loosen the fence knobs, and slide the Fence along the tracks on the Extended Baseplate (Image L). Lock at the required setting by tightening both fence knobs

Note: When routing trenches at distance from an edge, fit the Fence to the long end of the Extended Baseplate.

Note: When performing edge work with a non-bearing guided cutter, fit the Fence to the short end of the baseplate (Image J).

Note: If using a very large diameter cutter it may be necessary to fix wooden blocks to the fence faces via the screw holes, to ensure the cutter does not contact the Fence.

Operation

⚠️ WARNING: ALWAYS wear eye protection, adequate respiratory and hearing protection, as well as suitable gloves, when working with this tool.

Switching ON & OFF

Note: When the router is connected to the power source, the On/Off Power Switch (8) will illuminate in both 'On' and 'Off' positions.

Note: The Retracting Power Switch Cover (7) prevents accidental starting of the router. It must be retracted before the router can be switched on. The Retracting Power Switch Cover will remain open until the router is switched off.

- Ensure that the plunge router is at the maximum extension of its travel, and that the cutter will not conflict with any foreign objects when it is powered on
- Connect the power cord to the mains, and slide the Retracting Power Switch Cover back to reveal the On/Off Power Switch
- Press the On/Off Power Switch in the 'I' position to turn the plunge router ON. Whilst the On/Off Power Switch is in this position, the Retracting Power Switch Cover will be prevented from re-covering the On/Off Power Switch
- To turn OFF, press the On/Off Power Switch in the 'O' position. The Retracting Power Switch Cover will slide back to its original position

Variable speed control

Note: Generally, the highest speed that does not cause burn marks on the workpiece should be used. Where stated, always follow the cutter manufacturers' maximum speed limitations.

- Operating at reduced speed increases the risk of damage to the router as a result of overload. Use very slow feed rates and/or multiple shallow cuts
- The Speed Controller (10) is marked 1 to 5, corresponding approximately with the speeds and cutter diameters below. Turn the dial to select the required speed

Setting	RPM	Cutter Diameter
5	21,000	Up to 25mm (1")
4	18,000	25-50mm (1" - 2")
3	14,500	50-65mm (2" - 2½")
2	11,000	Over 65mm (2½")
1	8000	Use only if burning

Cutting depth adjustment

IMPORTANT:

YOU WILL DAMAGE YOUR PLUNGE MECHANISM IF YOU DO NOT FOLLOW THESE INSTRUCTIONS.

ALWAYS ensure the Plunge lock lever (11) is unlocked by setting it to its highest position before adjusting the cutting depth using the 'Free plunge' or 'Winder handle adjustment' methods below.



Note: To lock the router at a particular depth of cut, plunge the router head down and rotate the Plunge Lock Lever (11) to its lower position. This will hold the router head in this position.
 There are three methods of cut depth adjustment, depending on the accuracy and control required:

Free plunge

- Free plunge depth adjustments can be made with the Plunge Selection Button (18) engaged. Press the Plunge Selection Button deep inside the handle until it engages inward (Image A)
- Release the Plunge Lock Lever (11)** and push the body of the router until the required depth is reached. Re-lock the Plunge Lock Lever

Winder handle adjustment

- Plunge depth adjustments can be made by turning the Winder Handle (19)
- Disengage the Plunge Selection Button (18), and ensure the button is flush with the Winder Handle (Image K)
- To release the Winder Handle, pull the Winder Handle Clutch Ring (17) inwards (Image B)
- Release the Plunge Lock Lever (11)** and twist the Winder Handle until the desired depth of cut is reached. Release the Winder Handle Clutch Ring, and lock the Plunge Lock Lever

Micro Winder

Note: For use in Winder Handle (19) plunge mode only.

- Disengage the Plunge Selection Button (18), and ensure that the Plunge Lock Lever (11) is unlocked

Note: If the Micro Winder (20) is turned with the Plunge Lock Lever engaged, the Micro Winder will start clicking and the cut depth will remain unchanged.

- Turn the Micro Winder clockwise to increase cut depth and anti-clockwise to reduce cut depth. Adjust the cut depth until the desired height is reached

Note: When the end of the depth adjustment range is reached, the Micro Winder will offer greater resistance and will begin to 'click'.

- Engage the Plunge Lock Lever, particularly for heavy cuts

Depth stop & turret

- The Depth Stop (3) and Turret Stops (1) are used to accurately pre-set up to three different cut depths
- Loosen the Depth Stop Lock Knob (5) and retract the Depth Stop fully, then re-tighten (Image F)
- Set the turret posts to the required plunge depths using the scales on the stationary turret post (Image G)

Note: To change turret posts, rotate the entire turret assembly to align with the Depth Stop.

- With the desired cutter installed into the Collet (24), adjust the plunge depth until the tip of the cutter touches the workpiece
- Rotate the turret until the fixed turret post is in line with the Depth Stop. Release the stop, allowing it to spring on to the post, then re-tighten the Depth Stop Lock Knob. The plunge depth is now set at zero
- Rotate the Turret Stops until the turret post with the desired plunge depth is aligned with the Depth Stop

Making a cut

Note: NEVER operate the router freehand without some form of guide. Guidance can be provided by a bearing guided router bit cutter, the supplied guides, or a straight edge (Image I).

- ALWAYS hold the router using both hands, on the handles provided. Ensure that the workpiece will not move. Use clamps wherever possible
- Allow the motor to reach its full operating speed
- Lower the router bit cutter into the workpiece whilst moving the router slowly, keeping the baseplate held flat against the workpiece
- If edge cutting, the cutting of the workpiece should be on the left side relative to the cutting direction, (Fig I). Keep the pressure constant and allow the cutter to work steadily through the material. Be aware that knots, and other variations, will slow the rate of progress

Note: To avoid 'bit chatter', direct the cut anti-clockwise for external cuts, and clockwise for internal cuts.

Note: Moving the router too fast can result in a poor quality finish, and overloading of the motor. Moving the router too slowly can result in overheating the workpiece.

Note: Normal operation of a router is to plunge the head after the router has been switched on.

Note: Do not operate the router upside down unless securely mounted in a well-guarded router table (e.g. CMT brand).

Making multiple pass cuts

- The Turret Stops (1) allow the maximum depth of cut to be achieved in an operator-determined number of steps. Each step of the turret can be pre-set by adjusting the thumbwheel on the turret post
- Rotate the Turret Stops so that the Depth Stop (3) will contact the highest pre-set turret post when the router is plunged. The first pass of the cut can now be made
- Continue to make passes, rotating the Turret Stops and adjusting the turret post depth for each pass when necessary until the full depth of cut has been achieved

Circle Cutting

- Fit the Extended Baseplate (28), without the Fence (23) attachment, to the router
 - Remove the Circle Cutting Pivot Mount (27) from the Extended Baseplate and fix it to the centre of the workpiece, using a small nail or screw, through one of the holes in the pivot mount, (Image M). Leave the pivot mount bolt in position
 - Lower the router and base over the pivot mount and refit the washer and wing-nut, (Image N)
 - With the power switched 'Off', rotate the router along the intended path to check the circle, and make any necessary adjustments
 - Cut the circle in several passes, lowering the cut depth by approximately 2mm (3/32") each pass, (Image N). Do not attempt to cut deeply in one pass
- Through cuts: If cutting all the way through the material, fix a sacrificial board to the underneath of the workpiece.

Table-mounted operation

Note: Fitting and operating this router on a router table should be carried out in accordance with the literature supplied with the router table.

Note: Whilst this product was designed for efficient and convenient operation on most router tables, it is particularly suited for use with CMT Router Tables.

Note: Router adjustments are extremely easy using the unique features described earlier in the manual. See 'Collet and cutter installation' and 'Cutting depth adjustment'.

IMPORTANT: The plunge spring MUST be removed before this router is fitted into a router table:

1. Set the router at the top of its plunge range and engage the Plunge Lock Lever (11)
2. Loosen the small screw next to the Plunge Spring Access Cap (21) a few turns (Image O)
3. Using the palm of your hand, apply downward pressure on the Plunge Spring Access Cap and grip the Plunge Spring Access Cap firmly with your other hand to prevent the plunge spring from shooting upwards when released. Whilst maintaining the downward pressure and a firm grip, twist the Plunge Spring Access Cap anti-clockwise to remove it (Image P)

⚠️WARNING: The plunge spring is tensioned with great force to enable a smooth plunging action. The Plunge Spring Access Cap and plunge spring will shoot up quickly with the same force once it has been unscrewed. Be careful not to release the Plunge Spring Access Cap in an uncontrolled manner, which could cause personal injury.

4. Slowly allow the Plunge Spring Access Cap to raise upwards once released (Image Q)
5. Remove the spring and store in a safe place
6. Replace the Plunge Spring Access Cap and re-tighten the screw

⚠️WARNING: When re-inserting the plunge spring, carefully check that the Plunge Spring Access Cap is correctly fastened. It should sit parallel with the body of the tool with no visible gap, and the securing screw should be correctly located to prevent the Plunge Spring Access Cap from accidentally unscrewing.

NOTE: Be sure to re-fit the plunge spring before using the router freehand.

IMPORTANT: Before mounting the router under the router table, make sure the Depth Stop Lock Knob (5) is loosened and the Plunge Lock Lever (11) is in the unlocked position.

- The Table Height Winder (25) engages with the Table Height Winder Connection Point (14) for quick and easy above-the-table height adjustment when the router is table-mounted

Installing the No Voltage Release bypass key:

The CMT7E router has a No Voltage Release (NVR) function which prevents the motor from automatically restarting after a power interruption. To reset the tool, the switch must be returned to the OFF position before switching back ON. When used with CMT tables or those of another brand, which have their own NVR protection, such as the Electrical Safety Device (999.100.11), this function can be bypassed by inserting the NVR Bypass Key (29). Thereby enabling the ON/OFF operation of the tool to be controlled by the ON/OFF switch on the router table.

1. Screw the NVR Bypass Key into the NVR Bypass Key Connection (22) and gently hand tighten (image T)
2. Secure the bracket to the underside of the work centre (Image U)
3. Switch the router ON and use the router table ON/OFF switch to control the router

⚠️WARNING: ONLY use the NVR Bypass Key when the router is connected to a power source that is itself protected by a No Voltage Release protection system, such as the Electrical Safety Device (999.100.11). ALWAYS ensure the bracket is connected to the router table to avoid accidentally removing the router without removing the Bypass Key.

Important

1. To mount the CMT router onto CMT Tables or those of another brand or a table of your own construction, remove the 4 screws of the black baseplate indicated in Image S and remove it.
2. There are 2 sets of screw threads as shown in fig. II.
 - A: There are 4 x UNC screw threads (used to secure the baseplate) which are also suitable for mounting CMT tables.
 - B: set of 3 x M6 threads.
3. Use the 4 screws included (30) to install the router to CMT tables.

Note: The M6 threads are not available on earlier versions of the CMT7E (2022) router.

Accessories

A wide range of suitable accessories and spare parts for this tool are available from your CMT dealer, such as:

- A large selection of cutter/router bits.
- Prebored router plates (image H) for CMT accessories
- Guide Bushes
- Collets
- Carbon brushes

Maintenance

⚠️WARNING: ALWAYS disconnect from the power supply before carrying out any inspection, maintenance or cleaning.

General Inspection

- Regularly check that all the fixing screws are tight
- Inspect the supply cord of the tool, prior to each use, for damage or wear. Repairs should be carried out by an authorised CMT service centre. This advice also applies to extension cords used with this tool

Cleaning

⚠️WARNING: ALWAYS wear protective equipment including eye protection and gloves when cleaning this tool.

- Keep your tool clean at all times. Dirt and dust will cause internal parts to wear quickly, and shorten the device's service life
- Clean the body of your machine with a soft brush, or dry cloth
- Never use caustic agents to clean plastic parts. If dry cleaning is not sufficient, a mild detergent on a damp cloth is recommended
- Water must never come into contact with the tool
- Ensure the tool is thoroughly dry before using it
- If available, use clean, dry, compressed air to blow through the ventilation holes (where applicable)

Lubrication

Slightly lubricate all moving parts at regular intervals with a suitable spray lubricant

Brushes

- Over time the carbon brushes inside the Motor (6) may become worn
- Excessively worn brushes may cause loss of power, intermittent failure, or visible sparking
- To replace the brushes, remove the two Brush Access Covers (9). Carefully remove the worn brushes (Image R) and ensure the sockets are clean. Carefully replace with new brushes and then replace the Brush Access Covers
- After fitting run the router without load for 2-3 minutes to help the brushes bed in. The process of the brushes fully bedding in may take repeated uses. Motor sparking may continue until new carbon brushes have bedded in
- Alternatively, have the machine serviced at an authorised service centre

Contact

For all technical/repairs service, please contact your dealer.

Web: www.cmtorangetools.com

Storage

- Store this tool carefully in a secure, dry place out of the reach of children

Disposal

Always adhere to national regulations when disposing of power tools that are no longer functional and are not viable for repair.

- Do not dispose of power tools, or other waste electrical and electronic equipment (WEEE), with household waste
- Contact your local waste disposal authority for information on the correct way to dispose of power tools

Troubleshooting

Problem	Possible cause	Solution
No function when On/Off Power Switch (8) is operated	No power	Check power supply
	Defective On/Off Power Switch	Replace the On/Off Power Switch at an authorised CMT service centre
Inaccurate cutting profile	Depth Stop (3) not correctly adjusted	Ensure that the Depth Stop corresponds to the maximum amount of cut permitted by the Turret Stops (1)
	Incorrectly fitted or loose router bit/Collet (24)	Tighten router bit/Collet and cutter assembly
Router will not operate	No supply of power	Check that power is available at source
	Brushes worn or sticking	Disconnect power, open Brush Access Covers (9) and ensure brushes are not damaged or heavily worn
	Switch is faulty	Have the tool serviced by an authorised CMT service centre
	Motor components faulty or short circuited	
Router runs or cuts slowly	Blunt or damaged cutter	Re-sharpen or replace cutter
	Speed Controller (10) set low	Increase variable speed setting
	Motor is overloaded	Reduce pushing force on router
Excessive vibration	Incorrectly fitted or loose router bit	Refit or tighten router bit
	Bent or damaged router bit	Replace router bit
Heavy sparking occurs inside motor housing	Brushes not moving freely	Disconnect power, remove brushes, clean or replace
	Damaged or worn motor	Have the tool serviced by an authorised CMT service centre
Micro Winder (20) "clicks" or not adjusting	Plunge Lock Lever (11) engaged	Release Plunge Lock Lever
	Reached end of adjustment range	Reset the Micro Winder and set depth with the Depth Stop (3)
Makes an unusual sound	Mechanical obstruction	Have the tool serviced by an authorised CMT service centre
	Damage to internal windings	

Traducción del manual original

Introducción

Gracias por haber elegido esta herramienta CMT. Estas instrucciones contienen la información necesaria para utilizar este producto de forma segura y eficaz. Lea atentamente este manual para obtener todas las ventajas y características únicas de su nueva herramienta. Conserve este manual a mano y asegúrese de que todas las personas que utilicen esta herramienta lo hayan leído y entendido correctamente. Guarde estas instrucciones con el producto para poder consultarlas en el futuro.

Descripción de los símbolos

Los siguientes símbolos pueden aparecer en la placa de características de su herramienta. Estos símbolos representan información importante sobre el producto o instrucciones relativas a su uso.



Lleve protección auditiva
Lleve protección ocular
Lleve protección respiratoria
Lleve un casco de seguridad



Lleve guantes de seguridad



ADVERTENCIA - Para reducir el riesgo de lesiones, el usuario debe leer y comprender completamente el manual de instrucciones.



¡Peligro!



¡Atención! Cuchillas/dientes muy afilados



NO utilizar en ambientes húmedos o bajo la lluvia



Desconecte siempre la herramienta de la toma eléctrica antes de realizar cualquier tarea de mantenimiento, sustituir accesorios o cuando no la esté utilizando.



Se recomienda/necesita utilizar un dispositivo de extracción de polvo



Protección clase II (doble aislamiento para mayor protección)



Protección medioambiental

Los productos eléctricos usados no se deben mezclar con la basura convencional. Por favor, recicle el producto en las instalaciones correspondientes. Solicite información a su ayuntamiento o distribuidor sobre las opciones de reciclaje.



Conforme a las normas de seguridad y la legislación correspondiente.

Abreviaturas de términos técnicos

V	Voltio/s
~, CA	Corriente alterna
A	Amperio/s
Hz	Hercio/s
W, kW	Vatio/s, kilovatio/s
min ⁻¹	(revoluciones/oscilaciones) por minuto

Características técnicas

Modelo:	CMT7E
Tensión:	220 - 240 V~, 50/60Hz
Tensión máxima de entrada:	9,1 A
Potencia máxima de salida:	2400 W (3,25 CV pico)
Velocidad sin carga:	8.000 - 21.000 min ⁻¹
Pinza de apriete:	8 y 12 mm
Diámetro máximo de la fresa:	55 mm (2-3/16")
Tamaño máximo de la fresa (Ajuste libre):	½" (AUS: 12,7 mm)
Ajuste de altura:	1) Ajuste libre 2) Ajustador en la empuñadura 3) Microajustador
Ajuste de profundidad:	0 - 68 mm
Grado de protección:	IPX0
Clase de protección:	
Longitud del cable de alimentación:	3 m
Dimensiones (L x An x A):	180 x 300 x 310 mm
Peso:	6,5 kg
Como parte de nuestra política de desarrollo de productos, los datos técnicos de los productos CMT pueden cambiar sin previo aviso.	
Información sobre ruido y vibración:	
Presión acústica L_{pa}:	84,2 dB(A)
Potencia acústica L_{wa}:	95,2 dB(A)
Incertidumbre K:	3 dB(A)
Vibración ponderada a_w:	5,4 m/s ²
Incertidumbre K:	1,5 m/s ²

El nivel de intensidad sonora para el usuario puede exceder de 85 dB(A). Se recomienda usar medidas de protección sonora.

ADVERTENCIA: Utilice siempre protección auditiva cuando el nivel de ruido exceda 85 dB(A) o cuando esté expuesto durante largos periodos de tiempo. Si por algún motivo nota algún tipo de molestia auditiva incluso llevando orejeras de protección, detenga inmediatamente la herramienta y compruebe que las orejeras de protección estén colocadas adecuadamente.

ADVERTENCIA: La exposición a la vibración durante la utilización de una herramienta puede provocar pérdida del sentido del tacto, entumecimiento, hormigueo y disminución de la capacidad de sujeción. La exposición durante largos periodos de tiempo puede provocar enfermedades crónicas. Si es necesario, limite el tiempo de exposición a la vibración y utilice guantes anti-vibración. No utilice la herramienta cuando sus manos estén muy frías, las vibraciones tendrán un mayor efecto. Utilice los datos técnicos de su herramienta para evaluar la exposición y medición de los niveles de ruido y vibración.

ADVERTENCIA: Las vibraciones producidas durante el uso de esta herramienta pueden ser diferentes al valor total declarado y pueden variar dependiendo del tipo de método de uso de esta herramienta. Por lo tanto, será necesario aplicar todas las medidas de seguridad apropiadas para proteger al usuario durante el uso de esta herramienta. Habrá que tener en cuenta todos los aspectos relacionados con el ciclo de trabajo (apagado de la herramienta, funcionamiento sin carga y tiempo de accionamiento).

El nivel total de vibraciones producidas ha sido medido mediante un proceso estándar y podrá evaluarse tomando como referencia los datos de emisión comparativos de máquinas similares. El nivel de vibración total también podrá utilizarse en una evaluación de exposición previa.

Los niveles de vibración y ruido están determinados según las directivas internacionales vigentes. Los datos técnicos se refieren al uso normal de la herramienta en condiciones normales. Una herramienta defectuosa, mal montada o desgastada puede incrementar los niveles de ruido y vibración. Para más información sobre ruido y vibración, puede visitar la página web www.osha.europa.eu

Instrucciones de seguridad para herramientas eléctricas

ADVERTENCIA: Lea siempre cuidadosamente todas las advertencias e instrucciones de seguridad para utilizar este producto de forma segura. No seguir estas instrucciones podría causar una descarga eléctrica, incendio y/o lesiones graves.

Conserve estas instrucciones para futuras referencias.

El término "herramienta eléctrica" descrito en este manual se refiere a una herramienta alimentada por conexión eléctrica mediante cable (herramienta alámbrica) o una herramienta eléctrica alimentada por batería (herramienta inalámbrica).

1) Seguridad en el área de trabajo

- Mantenga el área de trabajo limpia y bien iluminada. Las áreas desordenadas y poco iluminadas pueden provocar accidentes.
- No utilice herramientas eléctricas en atmósferas explosivas que contengan líquidos, gases o polvos inflamables. Las herramientas eléctricas producen chispas que pueden encender el polvo o los vapores.
- Mantenga alejados a los niños y personas que se encuentren a su alrededor mientras esté trabajando con una herramienta eléctrica. Las distracciones pueden hacerle perder el control de la herramienta.

2) Seguridad eléctrica

- El enchufe de su herramienta eléctrica debe coincidir con la toma de corriente. No modifique nunca el enchufe. No utilice enchufes de adaptadores con herramientas eléctricas conectadas a tierra (puestas a tierra). Los enchufes sin modificar y el uso de tomas de corrientes adecuadas reducirán el riesgo de descargas eléctricas.
- Evite el contacto con materiales conductores tales como tuberías, radiadores, estufas y refrigeradores. El riesgo de descarga eléctrica se incrementa si su cuerpo está expuesto a materiales conductores.
- No utilice las herramientas eléctricas bajo la lluvia o en zonas extremadamente húmedas. Si entra agua en la herramienta eléctrica, aumentará el riesgo de descarga eléctrica.
- No doble el cable de alimentación. Nunca utilice el cable para transportar, tirar o desencharcar la herramienta eléctrica. Mantenga el cable alejado del calor, el aceite, los bordes afilados y las piezas móviles. Los cables dañados o enredados aumentan el riesgo de descarga eléctrica.
- Use un cable de extensión adecuado para uso exterior cuando utilice la herramienta eléctrica en áreas exteriores. El uso de un cable adecuado para exteriores reducirá el riesgo de descargas eléctricas.
- Si es inevitable trabajar con una herramienta eléctrica en lugares húmedos, use un

suministro protegido por un interruptor diferencial o disyuntor por corriente diferencial o residual (RCD). El uso de un RCD reduce el riesgo de descargas eléctricas.

- Cuando utilice esta herramienta en Australia o Nueva Zelanda, se recomienda conectar esta herramienta SIEMPRE una toma de corriente protegida con dispositivo de protección de corriente diferencial residual de 30 mA o inferior.
 - Utilice un cable alargador adecuado. Asegúrese de que el cable alargador este en perfectas condiciones. Asegúrese de que el cable sea lo suficientemente resistente para el nivel de corriente requerido. Un cable más fino disminuirá la tensión de corriente y provocará la pérdida de potencia y sobrecalentamiento de la herramienta.
- ### 3) Seguridad personal
- Manténgase alerta, fíjese en lo que está haciendo y use el sentido común cuando esté utilizando una herramienta eléctrica. No use una herramienta eléctrica cuando esté cansado o bajo la influencia de drogas, alcohol o medicamentos. Distraerse mientras está utilizando una herramienta eléctrica puede provocar lesiones corporales graves.
 - Use equipo de protección personal. Use siempre protección ocular. El uso de dispositivos de seguridad personal (mascarillas antipolvo, calzados de seguridad antideslizante, casco de protección y protección auditiva) reducirá el riesgo de lesiones corporales.
 - Evite el arranque accidental de la herramienta. Asegúrese de que el interruptor esté en la posición de apagado antes de enchufar la herramienta. Nunca transporte herramientas con el dedo colocado en el interruptor o con el interruptor en posición de encendido.
 - Retire todas las llaves de ajuste antes de encender la herramienta. Una llave colocada sobre una parte móvil de la herramienta eléctrica puede causar lesiones graves.
 - No adopte posturas forzadas. Mantenga la postura y el equilibrio en todo momento. Esto permite un mejor control de la herramienta eléctrica en situaciones inesperadas.
 - Vístase de manera apropiada. No lleve ropa holgada ni joyas. Mantenga el cabello, la ropa y guantes lejos de las piezas en movimiento. La ropa holgada, las joyas o el cabello largo pueden quedar atrapados en las piezas en movimiento.
 - Utilice siempre un dispositivo de extracción de polvo/aspiradora y asegúrese de utilizarlos de manera apropiada. El uso de estos dispositivos reducirá los peligros relacionados con el polvo.
 - No deje que la familiaridad con el producto a base de utilizarlo repetidamente sustituya las normas de seguridad indicadas para utilizar esta herramienta. Utilizar esta herramienta de forma incorrecta puede causar daños y lesiones personales.
- ### 4) Uso y mantenimiento de las herramientas eléctricas
- Nunca fuerce la herramienta eléctrica. Utilice esta herramienta eléctrica de forma adecuada. Utilice su herramienta de forma correcta para cada aplicación.
 - No use esta herramienta eléctrica cuando el interruptor de encendido/apagado esté averiado. Cualquier herramienta eléctrica que no se pueda controlar con el interruptor de encendido/apagado será peligrosa y debe ser reparada inmediatamente.
 - Desenchufe siempre la herramienta o retire la batería antes de realizar cualquier ajuste, cambiar accesorios o almacenar la herramienta. Estas medidas de seguridad preventivas evitarán el arranque accidental de su herramienta eléctrica.
 - Guarde siempre las herramientas eléctricas fuera del alcance de los niños. No permita que las personas que no estén familiarizadas con estas instrucciones utilicen la herramienta. Las herramientas eléctricas son peligrosas en manos de personas que no estén capacitadas para su uso.
 - Compruebe regularmente el funcionamiento de sus herramientas eléctricas. Asegúrese de que no haya piezas en movimiento desalineadas o trabadas, piezas rotas o cualquier otro problema que pueda afectar al funcionamiento de la herramienta. Repare siempre las piezas dañadas antes de utilizar la herramienta. Muchos accidentes son causados por herramientas eléctricas que carecen de un mantenimiento adecuado.
 - Las herramientas de corte deben estar siempre afiladas y limpias. Las herramientas de corte correctamente afiladas son menos propensas a trabarse y son más fáciles de controlar.
 - Utilice esta herramienta eléctrica y los accesorios según el manual de instrucciones y teniendo en cuenta las condiciones y el trabajo que necesite realizar. El uso de cualquier accesorio diferente a los mencionados en este manual podría ocasionar daños o lesiones graves.
 - Mantenga siempre las empuñaduras y superficies de sujeción limpias y libres de grasa. Las empuñaduras y superficies resbaladizas pueden provocar la pérdida de control de la herramienta de forma inesperada.
- ### 5) Mantenimiento y reparación
- Repare siempre su herramienta eléctrica en un servicio técnico autorizado. Utilice únicamente piezas de recambio idénticas y homologadas. Esto garantizará un funcionamiento óptimo y seguro de su herramienta eléctrica.

Instrucciones de seguridad para fresadoras



¡ADVERTENCIA!

- Sujete la herramienta siempre por las empuñaduras aisladas para evitar el riesgo de descargas eléctricas en caso de accidente. El contacto del accesorio con un cable de baja tensión podría provocar descargas eléctricas al usuario.
- Sujete la pieza de trabajo en una plataforma estable. Sujetar la pieza de trabajo con las manos o cerca de usted podría provocar la pérdida de control.
- El cable de alimentación deberá ser sustituido solamente por un servicio técnico autorizado o por el fabricante.
- Se recomienda conectar esta herramienta a tomas de corriente protegida con dispositivo de protección de corriente diferencial residual de 30 mA o inferior.
- a) Use equipo de seguridad como gafas de seguridad o una visera protectora, protección auditiva, mascarilla contra el polvo y ropa protectora, incluyendo guantes de seguridad.
- b) No debe dejar nunca trapos, ropa, cuerda, cable o similares alrededor de la zona de trabajo.
- c) Asegúrese de que la tensión de su suministro de red sea la misma que la placa de identificación de su herramienta.
- d) Cuando necesite un cable de extensión, debe asegurarse de que tenga la intensidad de corriente adecuada para su herramienta eléctrica y que esté en buen estado.
- e) Desenrolle totalmente los cables de extensión para evitar un posible recalentamiento.
- f) Utilice detectores para determinar si existen cables o tuberías ocultas en la pieza o zona de trabajo. Contacte con las compañías de suministro si es necesario. El contacto con cables de baja tensión puede provocar una descarga eléctrica o un incendio. Dañar una tubería de gas podría provocar una explosión. Dañar una tubería de agua podría provocar daños graves en la zona de trabajo.
- g) Asegúrese de haber retirado los objetos extraños como clavos y tornillos de la pieza de trabajo antes de iniciar la operación.
- h) Manipule las fresas con mucha precaución; pueden estar extremadamente afiladas.
- i) Inspeccione la fresa cuidadosamente antes de utilizarla. Sustituya las fresas rotas o dañadas inmediatamente.
- j) Asegúrese de que las fresas estén afiladas y en buen estado. Tenga precaución al realizar cortes en cantos y bordes ya que podría ser peligroso.
- k) Sujete siempre la fresadora por las empuñaduras utilizando ambas manos antes de comenzar el corte.
- l) Mantenga las empuñaduras siempre limpias de suciedad, grasa, lubricante o aceite.
- m) Antes de utilizar la herramienta, conéctela y déjela en funcionamiento durante unos instantes. Compruebe que no existan ruidos y vibraciones anormales causadas por una instalación de la fresa incorrecta.
- n) Observe la dirección de giro de la fresa y la dirección de avance.
- o) Mantenga las manos alejadas de la fresa y la zona de corte. Utilice siempre las empuñaduras auxiliares para sujetar correctamente la herramienta.
- p) Nunca encienda la fresadora mientras la fresa esté en contacto con la pieza de trabajo.
- q) Asegúrese que el muelle de profundidad esté siempre montado cuando use la herramienta a mano.
- r) Asegúrese que la fresa está completamente parada antes de colocar la fresadora en posición de bloqueo de la pinza de apriete.
- s) La velocidad máxima de la fresa deberá ser como mínimo igual de rápida que la velocidad máxima de la herramienta.
- t) Las fresas se calentarán durante el uso. Nunca toque las fresas inmediatamente después de usarlas, podría provocar quemaduras graves.
- u) No deje que la fresa entre en contacto con materiales inflamables.
- v) Use sólo fresas con un diámetro de vástago compatible con la pinza de apriete suministrada con esta fresadora. Las fresas incompatibles podrían vibrar y salir despedidas hacia el usuario.
- w) Nunca utilice el botón de bloqueo del husillo cuando la fresadora esté en funcionamiento.
- x) Presione ligeramente cuando realice un corte y deje que la fresa trabaje por sí misma. Nunca presione excesivamente, de esta forma evitará la sobrecarga del motor.
- y) Asegúrese de que los símbolos y las advertencias indicadas en la herramienta se puedan leer correctamente. Sustitúyalas inmediatamente si están dañadas.
- z) Tenga precaución cuando esté realizando un corte, si la fresa queda atascada podría provocar la pérdida de control de la herramienta y causar daños graves. Compruebe siempre que las fresas estén en buen estado. En caso de accidente, suelte inmediatamente el interruptor de encendido y apagado.
- Compruebe durante el funcionamiento que la fresa no se balancee o vibre excesivamente. Una fresa mal colocada podría provocar la pérdida de control de la herramienta y dañar gravemente al usuario.
- Tenga especial precaución para no sobrecargar el motor cuando utilice fresas con un diámetro superior a 50 mm (2"). Use velocidades de avance muy bajas o repita el corte por etapas para evitar sobrecargar el motor.

- Desconecte la herramienta y espere siempre hasta que la fresa se haya detenido completamente antes de retirar la fresadora de la pieza de trabajo.
- Desenchufe la herramienta de la toma de corriente antes de realizar cualquier ajuste o tarea de mantenimiento.
- Incluso cuando se esté utilizando según lo prescrito, no es posible eliminar todos los factores de riesgo residuales. Si tiene alguna duda sobre el funcionamiento de esta herramienta, no la utilice.

¡ADVERTENCIA! El polvo generado al utilizar algunas herramientas eléctricas puede ser tóxico. Algunos materiales pueden estar tratados con productos tóxicos. Algunos materiales naturales y sintéticos pueden ser tóxicos. Las pinturas antiguas pueden contener plomo y otros productos químicos peligrosos. Evite exponerse al polvo durante largos periodos de tiempo. Evite el polvo en la cara, la piel, ojos y boca. Utilice siempre mascarilla anti-polvo y un sistema de extracción de polvo. Utilice medidas de protección adicionales cuando esté expuesto al polvo durante largos periodos de tiempo.

Características del producto

1. Tope de torreta
2. Portapiezas
3. Tope de profundidad
4. Ranuras de ventilación
5. Perilla de bloqueo de tope de profundidad
6. Motor
7. Tapa protectora retráctil
8. Interruptor de encendido/apagado
9. Tapa de acceso a las escobillas
10. Ajuste de velocidad
11. Palanca de bloqueo de profundidad
12. Protectores de seguridad
13. Perillas de montaje de la placa de guía
14. Orificio de ajuste de altura
15. Salida de extracción de polvo
16. Bloqueo automático del husillo
17. Embrague de la manivela de ajuste de altura
18. Botón de selección de profundidad
19. Manivela de ajuste
20. Microajustador
21. Tapa de acceso al muelle
22. Toma para la llave de bloqueo NVR
23. Guía paralela
24. Pinza de apriete (x 2)
25. Manivela de ajuste de altura
26. Llave de ajuste
27. Soporte basculante para cortes circulares
28. Placa de guía
29. Llave de bloqueo
30. Tornillos (1/4 UNC x 4) para fijación en la mesa CMT (pieza de repuesto 990.467.00)

Fig. II

- A. 4 x UNC 1/4
- B. 3 x M6
- C. Orificio para la manivela de ajuste de altura

Aplicaciones

Fresadora eléctrica con ajuste de profundidad compatible con fresas de hasta 1/2" y 12 mm (según la piza de apriete instalada). Indicada para cortar perfiles, ranuras, cantos y agujeros elípticos en maderas naturales y sintéticas. También puede utilizarse con casquillos copiadore para fresar plantillas en mesas para fresadoras.

Esta herramienta SOLO debe utilizarse para el propósito para la cual ha sido diseñada. Cualquier uso distinto a los mencionados en este manual se considerará un uso incorrecto. El fabricante no se hará responsable por los daños causados debido a la utilización incorrecta de esta herramienta. El fabricante no se hace responsable de ningún daño causado por la modificación de este producto.

Desembalaje

- Desembale e inspeccione la herramienta con cuidado. Familiarícese con todas sus características y funciones.
- Asegúrese de que el embalaje incluya todas las piezas y compruebe que estén en buenas condiciones

Antes de usar

⚠ ADVERTENCIA: Desconecte siempre la herramienta de la toma de corriente antes de cambiar o sustituir cualquier accesorio.

⚠ ADVERTENCIA: Periódicamente, durante el uso prolongado o cuando la fresadora ha sido transportada o se ha caído, compruebe que la tapa de acceso al muelle (21) esté correctamente colocada en su posición. Debe quedar paralela al cuerpo de la herramienta y sin ningún espacio visible, y el tornillo de sujeción debe estar correctamente ubicado para evitar que la tapa de acceso al muelle se desenrosque accidentalmente (véase Imagen O). El muelle de inmersión está tensado con fuerza suficiente para causar lesiones graves si se suelta de forma incorrecta. Siga siempre las instrucciones cuidadosamente cuando vaya a retirar o sustituir el muelle.

Instalación de la pinza de apriete y la fresa

Nota: Lleve siempre guantes resistentes a los cortes cuando manipule y sustituya fresas.

- Coloque la fresadora boca abajo sobre una superficie plana. El motor (6) debe estar apagado y el cable de alimentación desconectado de la toma de corriente.
- Ajuste la fresadora en la máxima profundidad presionando el embrague de la manivela de ajuste de altura (17) (imagen B) hacia dentro y girando la empuñadura giratoria (19) en sentido horario hasta que la pinza de apriete (24) sobresalga de la base de la fresadora.

Nota: Asegúrese que el tope de profundidad (3) está completamente retraído (véase "Tope de profundidad y toreta"). La pinza de apriete debe sobresalir de la base para que pueda introducir la llave.

- Utilice la llave de ajuste (26) suministrada para retirar la pinza de apriete. Gire la llave en sentido antihorario.
- Seleccione el tipo de fresa adecuada e insértela en el portapiezas (2) enroscando la pinza de apriete en sentido horario.
- Introduzca la fresa en la pinza de apriete. Asegúrese de que la mitad del vástago de la fresa (aprox. 20 mm) esté introducido dentro de la pinza de apriete. Utilice la llave de ajuste para girar ligeramente la pinza de apriete y fijarla en su posición requerida. Después de fijar la pinza de apriete, gire la llave en sentido de las agujas del reloj para apretar la fresa (imagen C).
- Ajuste la fresadora a la profundidad de corte por defecto. Esto desenganchará el mecanismo de bloqueo de la pinza de apriete y liberará la tapa protectora retráctil del interruptor, permitiendo el acceso al interruptor de encendido/apagado (8).

Salida de extracción de polvo

Nota: Esta fresadora está equipada con una salida de extracción de polvo (15) para extraer el polvo a través de la parte superior del corte. La salida de extracción de polvo es compatible con tubos de aspiración de 38 mm de diámetro (1-1/2").

- El tubo de aspiración se debe introducir girándolo hacia la izquierda (sentido antihorario) (imagen D).

Instalación de la placa de guía y guía paralela

- Aloje las perillas de montaje (13) completamente. Esto permitirá ajustar los pivotes de montaje en los orificios de la placa de guía (28).
- Coloque la fresadora y la placa de guía boca arriba.
- Apriete las perillas de montaje de la placa de guía hacia dentro para visualizar los pivotes de montaje.
- Alinee los pivotes de montaje con los orificios de la placa de guía, deslícelos en su posición de ajuste (Imagen K).

Nota: La orientación de la placa de guía puede variar dependiendo del trabajo requerido. Para contorneo y perfilar el interruptor de encendido/apagado (8) deberá estar alineado con la parte más corta de la placa de guía.

- Apriete las perillas de montaje de la placa de guía para fijar la placa de guía en la fresadora.

- Para montar la guía paralela (23), aloje las perillas de la guía paralela y deslice la guía paralela a través de los carriles de la placa de guía (imagen L). Apriete firmemente las perillas.

Nota: Cuando trabaje a cierta distancia del borde, monte la guía en el extremo largo de la placa de guía.

Nota: Cuando realice trabajos en el borde con una fresa que no disponga guía con rodamientos, monte la guía en el extremo corto de la fresa (imagen J).

Nota: Cuando utilice una fresa de gran diámetro, puede que necesite fijar listones de madera en ambas caras de la guía paralela. Coloque los listones utilizando los agujeros para tornillos, de esta forma la fresa no entrará en contacto con la guía paralela.

Funcionamiento

⚠ ADVERTENCIA: Lleve siempre protección adecuada cuando utilice esta herramienta, incluido protección ocular, protección auditiva y guantes de protección. Lleve mascarilla respiratoria cuando esté expuesto al humo o el polvo.

Encendido y apagado

Nota: Cuando la fresadora esté conectada a la toma de corriente, el interruptor de encendido/apagado (8) se iluminará tanto en la posición de encendido como apagado.

Nota: La tapa protectora retráctil (7) del interruptor evita la puesta en marcha accidental de la fresadora. Debe retraerse antes de poder encender la fresadora (Imagen A). La tapa permanecerá abierta hasta que apague la fresadora.

- Asegúrese de que la fresadora esté ajustada a su altura máxima. Compruebe que la fresa no esté en contacto con ningún objeto.
- Conecte la fresadora a la toma de corriente y deslice el protector retráctil para acceder al interruptor de encendido/apagado.
- Coloque el interruptor de encendido/apagado en la posición "ON" para encender la fresadora. El protector retráctil le permitirá accionar el interruptor de encendido/apagado.
- Coloque el interruptor de encendido/apagado en la posición "O" para apagar la fresadora. El protector retráctil volverá a cerrarse en su posición original.

Ajuste de velocidad

Nota: Esta fresadora dispone de varios ajustes de velocidad. Generalmente la fresadora debe ajustarse a la velocidad más alta posible que no produzca quemaduras en la pieza de trabajo. Siga siempre las indicaciones sobre velocidad máxima indicada por el fabricante de la fresa.

- El funcionamiento a velocidad reducida aumenta el riesgo de sobrecarga pudiendo causar daños en la fresadora. Use velocidades de avance bajas o escalone la profundidad.
- El ajuste de velocidad (10) dispone de 5 ajustes diferentes (1 - 5), que corresponden aproximadamente a las velocidades y diámetros de fresa indicados en la tabla mostrada a continuación. Gire el dial para seleccionar la velocidad deseada.

Nivel de ajuste	Revoluciones por minuto	Diámetro de la fresa
5	21.000	Hasta 25 mm (1")
4	18.000	25 - 50 mm (1" - 2")
3	14.500	50 - 65 mm (2" - 2-1/2")
2	11.000	Superior a 65 mm (2-1/2")
1	8.000	Usar solamente en caso de quemaduras

Ajuste de la profundidad de corte

IMPORTANTE:

SI NO SIGUE ESTAS INSTRUCCIONES, PUEDE DAÑAR EL MECANISMO DE AJUSTE DE PROFUNDIDAD.

Asegúrese SIEMPRE de que la palanca de bloqueo de profundidad (11) esté desbloqueada colocándola en su posición más alta antes de ajustar la profundidad de corte mediante los métodos de "Ajuste libre" o "Manivela de ajuste" que se indican a continuación.



Nota: Para ajustar la fresadora a una profundidad de corte requerida, sujete el cabezal de la fresadora hacia abajo y gire la palanca de bloqueo de profundidad (11) hasta su posición más baja. Esto mantendrá el cabezal de la fresadora en esta posición requerida.

• Hay tres métodos para ajustar la profundidad de corte, según la precisión y el control requeridos:

Ajuste libre

1. El modo de ajuste libre puede realizarse activando el botón de selección de profundidad (18). Púlselo a fondo hacia el interior del asa hasta que el botón quede bloqueado (imagen A).
2. **Suelte la palanca de bloqueo de profundidad (11).** Empuje la fresadora hasta alcanzar la profundidad deseada. Bloquee de nuevo la palanca de bloqueo de profundidad.

Manivela de ajuste

1. La profundidad de corte puede ajustarse utilizando la manivela de ajuste (19).
2. Desbloquee el botón de selección de profundidad (18) y colóquelo hasta que quede al mismo nivel que la empuñadura giratoria.
3. Coloque el embrague de la manivela de ajuste de altura (17) hacia dentro para liberar la manivela de ajuste (imagen B).
4. **Suelte la palanca de bloqueo de profundidad (11) y gire la manivela giratoria** hasta alcanzar la profundidad de corte deseada. Suelte el embrague de la manivela de ajuste de altura y bloquee la palanca de bloqueo de profundidad.

Microajustador

Nota: Solo para para utilizar con la manivela de ajuste (19).

1. Desenganche el botón de selección de profundidad (18) y asegúrese que la **palanca de bloqueo de profundidad (11) esté desbloqueada.**

Nota: Si el microajustador (20) se activa con la palanca de bloqueo de profundidad bloqueada, el microajustador no se activará y la profundidad de corte permanecerá inalterada.

2. Gire el microajustador en sentido horario para aumentar la profundidad de corte y en sentido antihorario para reducirla.

Nota: Cuando se alcance el ajuste de la profundidad requerido, el microajustador ofrecerá mayor resistencia a girar y escuchará un clic.

3. Bloquee la palanca de bloqueo de profundidad, especialmente para trabajos pesados.

Tope de profundidad y torreta

1. El tope de profundidad (3) y la torreta (1) se utilizan para fijar hasta tres profundidades de corte distintas.
2. Afloje la perilla de bloqueo del tope de profundidad (5), retraiga completamente el tope de profundidad y apriételo de nuevo (imagen F).
3. Ajuste la fresadora a la profundidad requerida utilizando las escalas del indicador de la torreta (imagen G).

Nota: Para cambiar de ajuste de torreta, gire la torreta para alinearla con el tope de profundidad (N).

4. Introduzca la fresa en la pinza de apriete (24) y ajuste la profundidad de la fresadora hasta que la punta de la fresa esté en contacto con la pieza de trabajo.
5. Gire la torreta hasta que el indicador fijo de la torreta esté alineado con el tope de profundidad. Suelte el tope, dejando que el muelle vuelva a su posición inicial. A continuación, apriete las perillas de bloqueo del tope de profundidad.
6. Gire los topes de la torreta hasta que la profundidad coincida con el tope de profundidad.

Realizar un corte

Nota: Nunca utilice la fresadora en modo libre o sin tener instalada una guía de corte. Puede usar como guía una fresa con rodamientos, una guía de corte, o un listón de madera (imagen I).

1. Sujete siempre la fresadora con ambas manos y asegúrese de que la pieza de trabajo esté sujeta firmemente para evitar que se pueda mover durante el corte. Utilice abrazaderas siempre que sea necesario.
2. Deje que el motor alcance la velocidad máxima.
3. Introduzca la fresa en la pieza de trabajo mientras avanza lentamente a través de la línea de corte. Mantenga la base totalmente plana contra la pieza de trabajo.
4. Para fresar bordes, mantenga la pieza de trabajo a la izquierda de la fresadora, en relación a la dirección de corte (Fig. I). Mantenga una presión constante y permita que la fresa trabaje de forma constante a través del material. Tenga en cuenta que los nudos y otras irregularidades ralentizarán la progresión del corte.

Nota: Para evitar vibraciones y daños, dirija el corte en sentido antihorario para cortes exteriores y en sentido horario para cortes interiores.

Nota: Mover la fresadora demasiado rápido puede provocar un corte de mala calidad y sobrecalentar el motor (6) de la herramienta. Mover la fresadora demasiado despacio puede recalentar excesivamente la pieza de trabajo.

Nota: Para utilizar la fresadora deberá de bajarla siempre después de haberla encendido.

Nota: Utilice la fresadora boca arriba solo cuando esté montada sobre una mesa para fresadora (ej. Mesa para fresadora CMT).

Realizar cortes de varias pasadas

1. El tope de torreta (1) le permitirá alcanzar la profundidad máxima de corte en varias pasadas. Cada paso del tope puede prefijarse mediante la ruedecilla situada en el tope de torreta.
2. Gire el tope de torreta (3) de manera que el tope de profundidad entre en contacto con el paso más alto cuando la fresadora esté bajando. Ahora puede realizar el primer corte.
3. Continúe realizando varias pasadas, girando el tope de torreta en sentido antihorario un paso por cada pasada hasta lograr la profundidad completa de corte.

Cortes circulares

1. Monte la placa de guía (28), sin la guía paralela (23) en la fresadora.
 2. Retire el soporte basculante para cortes circulares (27) de la placa de guía y fíjelo en el centro de la superficie de trabajo usando un pequeño clavo o tornillo a través de uno de los agujeros del pivote (imagen M). Deje el perno del pivote en posición correcta.
 3. Baje la fresadora y la placa de guía sobre el pivote, vuelva a colocar la arandela y la tuerca de mariposa (imagen N).
 4. Con el interruptor en apagado, desplace la fresadora para comprobar el círculo y haga los ajustes necesarios.
 5. Efectúe el corte en múltiples pasadas, bajando la profundidad de corte unos 2 mm (3/32") en cada etapa (imagen N). No intente realizar este tipo de cortes en una sola pasada.
- Cortes pasantes: Para realizar cortes pasantes, coloque un tablero "sacrificial" debajo de la pieza de trabajo. Corte un círculo de mayor dimensión y, cuando el corte esté terminado, reduzca el diámetro hasta el tamaño deseado realizando varias pasadas a la máxima profundidad.

Montaje en una mesa para fresadora

Nota: Siga las instrucciones indicadas por el fabricante para la utilización y el montaje de esta fresadora en una mesa de fresado.

Nota: Este producto puede ser utilizado de forma eficaz en la mayoría de mesas de fresado aunque está particularmente diseñado para utilizarse con la mesa de fresado CMT.

Nota: La fresa puede ajustarse de forma fácil. Véase las secciones "Instalación de la fresa y accesorios" y "Ajuste de la profundidad de corte".

IMPORTANTE: Debe retirar el muelle de profundidad antes de montar esta herramienta en la mesa de fresado.

1. Ajuste la fresadora a la profundidad máxima y enganche la palanca de bloqueo de profundidad (11).
2. Afloje los tornillos pequeños situados en la tapa de acceso al muelle (21) (imagen O).
3. Presione hacia abajo la tapa de acceso del muelle con la palma de la mano y sujétela firmemente con la otra mano para evitar que el muelle pueda salir disparado hacia arriba cuando esté suelto. Mientras lo mantiene firmemente presionado, gire la tapa de acceso del muelle en sentido antihorario para retirarla (imagen P).

⚠ ADVERTENCIA: El muelle se tensa con gran fuerza para permitir un ajuste de profundidad suave. La tapa de acceso al muelle y el muelle de se dispararán rápidamente con la misma fuerza una vez que se haya desenroscado. Tenga precaución de no soltar la tapa de acceso del muelle de forma incontrolada, ya que podría causar lesiones personales.

4. Deje que la tapa de acceso del muelle suelte lentamente hacia arriba una vez esté liberada (imagen Q).
5. Retire el muelle y guárdelo en un lugar seguro.
6. Vuelva a colocar la tapa de acceso al muelle y apriete los tornillos firmemente.

⚠ ADVERTENCIA: Cuando vuelva a insertar el muelle, compruebe cuidadosamente que la tapa de acceso al muelle está correctamente apretada. Debe estar en paralelo con el cuerpo de la herramienta sin ningún espacio visible, y el tornillo de sujeción debe estar correctamente ubicado para evitar que la tapa de acceso del muelle se desenrosque accidentalmente.

Nota: Asegúrese de volver a colocar el muelle cuando vaya a utilizar la fresadora en modo manual.

IMPORTANTE: Antes de montar la fresadora debajo de la mesa, asegúrese de que la perilla de bloqueo de profundidad (5) está aflojada y que la palanca de bloqueo de profundidad (11) esté en la posición de desbloqueo.

La manivela de ajuste de altura (25) debe colocarse en el orificio para la manivela de ajuste de altura (14) para ajustar la fresadora de forma rápida y fácil a través de la parte superior de la mesa de fresado.

Instalación de la llave de bloqueo sin tensión:

La fresadora CMT7E dispone de una función de bloqueo de seguridad (NVR) cuando no existe tensión y evita que el motor se reinicie automáticamente después de un corte de corriente. Para reiniciar la herramienta, el interruptor deberá colocarse en la posición de apagado antes de volver a encender la herramienta. Cuando se utilice con el Workcentre CMT (con la mesa de fresado CMT) o con una mesa de fresado de otras marcas, que disponga de su propia protección NVR, esta función se podrá anular introduciendo la llave de bloqueo NVR (29). De este modo, se podrá controlar el funcionamiento de la herramienta mediante el interruptor de encendido/apagado de la mesa de fresado.

1. Enrosque la llave de bloqueo NVR en la toma para la llave de bloqueo NVR (22) y apriétela suavemente a mano (Imagen T).
2. Fije el soporte en la parte inferior del Workcentre (imagen U).
3. Encienda la fresadora y utilice el interruptor de encendido/apagado de la mesa de fresado para controlar la fresadora.

⚠ ADVERTENCIA: Utilice SOLAMENTE la llave de bloqueo NVR cuando la fresadora esté conectada a una toma de corriente que esté protegida por un sistema de protección sin tensión, como el Workcentre CMT. Asegúrese SIEMPRE de que el soporte esté conectado a la mesa de fresado para evitar retirar accidentalmente la fresadora sin quitar la llave de bloqueo.

Importante

1. Para montar la fresadora CMT en mesas CMT, de otra marca o en una mesa de su propia construcción, retire los 4 tornillos de la placa base negra indicada en la Imagen S y retírelos.
2. Hay 2 juegos de roscas de tornillo como se muestra en la fig. II.
 - A: Hay 4 x roscas de tornillo UNC (utilizadas para asegurar la placa base) que también son adecuadas para el montaje en mesas CMT.
 - B: juego de 3 roscas M6 3. Utilice los 4 tornillos incluidos (30) para instalar la fresadora en las mesas CMT.

Nota: las roscas M6 no están disponibles en versiones anteriores de la fresadora CMT7E (2022).

Accesorios

Una amplia gama de accesorios y piezas de repuesto adecuados para esta herramienta están disponibles en su distribuidor CMT, tales como:

- Una gran selección de brocas de corte/ fresas.
- Placas fresadoras (imagen H) para accesorios CMT
- Anillos guía
- Pinzas
- Cepillos de carbón

Mantenimiento

⚠ ADVERTENCIA: Desconecte siempre la herramienta de la toma eléctrica antes de realizar cualquier tarea de mantenimiento o limpieza.

Inspección general

- Compruebe regularmente que todos los tornillos y elementos de fijación estén bien apretados. Con el paso del tiempo pueden vibrar y aflojarse.
- Inspeccione el cable de alimentación antes de utilizar esta herramienta y asegúrese de que no esté dañado. Las reparaciones deben realizarse por un servicio técnico CMT autorizado.

Limpieza

⚠ ADVERTENCIA: Utilice SIEMPRE guantes y protección ocular cuando limpie esta herramienta.

- Con el tiempo, las escobillas de carbono del motor se desgastarán.
- Si las escobillas se han desgastado excesivamente, el rendimiento del motor puede disminuir, la herramienta tal vez no arranque o quizás observe una excesiva presencia de chispas.
- Para sustituir las escobillas, retire las tapas de acceso a las escobillas (9) situada en cada lado de la herramienta. Retire y sustituya las escobillas por unas nuevas (imagen R). Vuelva a colocar las tapas de las escobillas.
- Encienda la fresadora y déjela funcionando durante 2 – 3 minutos para asentar las escobillas. Quizás note la presencia de chispas hasta que las escobillas se asienten completamente.
- Si tiene dudas sobre como sustituir las escobillas, lleve la herramienta a un servicio técnico autorizado.

Lubricación

- Aplique regularmente spray lubricante en las piezas móviles.

Sustitución de las escobillas

- Con el tiempo, las escobillas de carbono del motor (6) se desgastarán.
- Si las escobillas se han desgastado excesivamente, el rendimiento del motor puede disminuir, la herramienta tal vez no arranque o quizás observe una excesiva presencia de chispas.
- Para sustituir las escobillas, retire las tapas de acceso a las escobillas (9) situada en cada lado de la herramienta. Retire y sustituya las escobillas por unas nuevas (imagen P). Vuelva a colocar las tapas de las escobillas.
- Encienda la fresadora y déjela funcionando durante 2 – 3 minutos para asentar las escobillas. Quizás note la presencia de chispas hasta que las escobillas se asienten completamente.
- Si tiene dudas sobre como sustituir las escobillas, lleve la herramienta a un servicio técnico autorizado.

Contacto

Para todos los servicios técnicos y de reparación, contacte por favor con su distribuidor.

Web: www.cmtorangetools.com

Almacenaje

- Guarde esta herramienta y accesorios en un lugar seco y seguro fuera del alcance de los niños.

Reciclaje

Deshágase siempre de las herramientas eléctricas adecuadamente respetando las normas de reciclaje indicadas en su país.

- No deseche las herramientas y aparatos eléctricos junto con la basura convencional. Recíclelos siempre en puntos de reciclaje.
- Póngase en contacto con la autoridad local encargada de la gestión de residuos para obtener más información sobre cómo reciclar este tipo de herramientas correctamente.

Solución de problemas

Problema	Causa	Solución
La fresadora no funciona al accionar el interruptor de encendido/apagado (8)	Falta de alimentación eléctrica	Compruebe el suministro eléctrico
	Interruptor de encendido/apagado averiado	Sustituya el interruptor de encendido/apagado en un servicio técnico autorizado CMT
Corte de mala calidad	Tope de profundidad (3) ajustado incorrectamente	Asegúrese de que el tope de profundidad coincida con el ajuste de torreta (1)
	Fresa o pinza de apriete (24) aflojada o colocada de forma incorrecta	Vuelva a apretar la fresa y la pinza de apriete
La fresadora no se enciende	Falta de alimentación eléctrica	Compruebe el suministro eléctrico
	Escobillas gastadas o pegadas	Desconecte la alimentación, abra las tapas de las escobillas (9) y compruebe que no estén desgastadas o dañadas
	Interruptor de encendido/apagado averiado	Sustituya el interruptor de encendido/apagado en un servicio técnico autorizado CMT
	Piezas del motor averiadas o cortocircuito	Repare la herramienta en un servicio técnico autorizado CMT
La fresadora funciona y corta lentamente	Fresa dañada o desgastada	Afile o sustituya la fresa por una nueva
	Ajuste de velocidad (10) al mínimo	Incremente el ajuste de velocidad
	El motor está sobrecargado	Disminuya la presión ejercida sobre la fresadora
Vibración excesiva	Fresa colocada de forma incorrecta o floja	Vuelva a colocar/apretar la fresa
	Fresa doblada o dañada	Sustituya la fresa
Se producen muchas chispas alrededor del motor	Las escobillas no se mueven libremente	Desconecte la herramienta, retire las escobillas, límpielas o sustitúyalas
	Motor dañado o desgastado	Repare la herramienta en un servicio técnico autorizado CMT
"Clicks" en el microajustador (20) / no se puede ajustar	Palanca de bloqueo de profundidad (11) enganchada	Suelte la palanca de bloqueo de profundidad
	Se ha alcanzado el límite de ajuste máximo permitido	Coloque el microajustador en su posición original y ajuste la profundidad mediante el tope de profundidad (3)
La fresadora hace un ruido inusual	Obstrucción mecánica	Repare la herramienta en un servicio técnico autorizado CMT
	Piezas en el interior dañadas	

Traduction des instructions originales

Introduction

Nous vous remercions d'avoir choisi cet équipement CMT. Ces instructions contiennent les informations nécessaires au fonctionnement efficace et sûr de ce produit. Veuillez lire attentivement ce manuel pour vous assurer de tirer pleinement avantage des caractéristiques uniques de votre nouvel équipement. Gardez ce manuel à portée de main et assurez-vous que tous les utilisateurs l'aient lu et bien compris avant toute utilisation. Veuillez conserver ces instructions et consignes de sécurité avec le produit pour toute référence ultérieure.

Description des symboles

La plaque signalétique figurant sur votre appareil peut présenter des symboles. Ces symboles constituent des informations importantes relatives au produit ou des instructions concernant son utilisation.



Porter de protection auditive
Porter de lunettes de sécurité
Porter de masque respiratoire
Porter de casque



Porter des gants



AVERTISSEMENT - Pour limiter les risques de blessures, l'utilisateur doit impérativement lire et comprendre ce manuel avant d'utiliser le produit.



Attention !



Attention : lames ou dents coupantes !



NE PAS utiliser sous la pluie ou dans un environnement humide !



TOUJOURS débrancher l'appareil avant d'effectuer un réglage, de changer d'accessoire, de le nettoyer, de l'entretenir, ou lorsqu'il n'est plus utilisé !



Dispositif d'évacuation de la poussière nécessaire ou vivement recommandé.



Construction de classe II (Double isolation pour une protection supplémentaire)



Protection de l'environnement. Les produits électriques usagés ne doivent pas être jetés avec les ordures ménagères. Veuillez les recycler dans les centres prévus à cet effet. Pour de plus amples informations, veuillez contacter votre municipalité ou point de vente.



Conforme à la réglementation et aux normes de sécurité pertinentes.

Abréviations pour les termes techniques

V	Volt(s)
~	Courant alternatif
A	Ampère(s)
Hz	Hertz
W, kW	Watt(s), Kilowatt(s)
min ⁻¹	Opération(s) par minute

Caractéristiques techniques

Modèle :	CMT7E
Tension :	220 - 240 V~, 50/60 Hz
Courant max. d'entrée :	9,1 A
Puissance max. de sortie :	2 400 W (3,25 CV crête)
Vitesse à vide :	8 000 - 21 000 min ⁻¹
Pinces de serrage :	8 et 12 mm
Diamètre max. de la fraise (Plongée libre) :	55 mm (2-3/16")
Taille max. de la pince de serrage :	½" (RUS : 12,7 mm)
Réglage de la hauteur :	1) Plongée libre 2) Poignée remontoir pour la hauteur de table 3) Réglage micrométrique (réglages fins)
Course de plongée :	0 - 68 mm
Indice de protection :	IPX0
Classe de protection :	
Longueur du câble d'alimentation :	3 m
Dimensions (L x l x H) :	180 x 300 x 310 mm
Poids :	6,5 kg
Du fait de l'évolution constante de notre développement produit, les caractéristiques des produits CMT peuvent changer sans notification préalable.	
Informations sur le niveau sonore et vibratoire	
Pression acoustique L_{pa} :	84,2 dB (A)
Puissance acoustique L_{wa} :	95,2 dB (A)
Incertitude K :	3 dB (A)
Vibration pondérée a_w :	5,4 m/s ²
Incertitude K :	1,5 m/s ²

L'intensité sonore peut dépasser 85 dB (A) et il est nécessaire que l'utilisateur prenne des mesures de protection sonore.

AVERTISSEMENT : portez toujours des protections auditives lorsque le niveau d'intensité est supérieur à 85 dB (A) et limitez le temps d'exposition si nécessaire. Si l'intensité sonore devient inconfortable, même avec les protections, arrêtez immédiatement d'utiliser l'appareil, vérifiez que les protections sont bien en places et adaptés avec le niveau sonore produit par l'appareil.

AVERTISSEMENT : l'exposition de l'utilisateur aux vibrations peut entraîner une perte du toucher, des engourdissements, des picotements et ainsi réduire la capacité de préhension. De longues expositions peuvent également provoquer ces symptômes de façon chronique. Si nécessaire, limitez le temps d'exposition aux vibrations et portez des gants anti-vibrations. N'utilisez pas cet outil lorsque la température de vos mains est en dessous des températures normales, car l'effet vibratoire en est accentué. Référez-vous aux chiffres indiqués dans les caractéristiques techniques des caractéristiques relatifs aux vibrations pour calculer le temps et la fréquence d'utilisation de l'outil.

AVERTISSEMENT : l'émission de vibrations effective au cours de l'utilisation de l'appareil peut différer de la valeur totale déclarée en fonction de la manière dont l'outil est utilisé. Il sera utile d'identifier les mesures de sécurité afin de protéger l'utilisateur en fonction de l'estimation de l'exposition en conditions réelles d'utilisation (en prenant en compte toutes les phases du cycle de fonctionnement telles que les périodes où l'outil est éteint, lorsqu'il est allumé mais inactif, en plus du temps de débranchement).

La valeur totale des vibrations déclarée a été mesurée conformément à une méthode d'essai normalisée et permet de comparer un outil à un autre. La valeur totale des vibrations déclarée peut également être utilisée lors d'une évaluation préliminaire d'exposition.

Les niveaux sonores et vibratoires indiqués dans la section « Caractéristiques techniques » du présent manuel sont déterminés en fonction de normes internationales. Ces données correspondent à un usage normal de l'outil, et ce dans des conditions de travail normales. Un appareil mal entretenu, mal assemblé ou mal utilisé peut augmenter les niveaux sonores et vibratoires. Le site www.osha.europa.eu offre de plus amples informations sur les niveaux sonores et vibratoires sur le lieu de travail, celles-ci pourront être utiles à tout particulier utilisant des outils électriques pendant des périodes prolongées.

Consignes générales de sécurité relatives à l'utilisation d'outils et appareils électriques

AVERTISSEMENT : veuillez lire toutes les consignes de sécurité et toutes les instructions dispensées dans le présent manuel. Le fait de ne pas suivre toutes les instructions données ci-dessous peut provoquer un choc électrique, un incendie et/ou une blessure grave.

Veuillez conserver ces instructions et consignes de sécurité pour référence ultérieure.

L'expression « appareil électrique » employée dans les présentes consignes recouvre aussi bien les appareils filaires à brancher sur secteur que les appareils sans fils fonctionnant avec batterie.

1) Sécurité sur la zone de travail

- Maintenir une zone de travail propre et bien éclairée. Des zones encombrées et mal éclairées sont sources d'accidents.
- Ne pas utiliser d'appareils électriques dans des environnements explosifs, tels qu'à proximité de liquides, de gaz ou de poussières inflammables. Les appareils électriques produisent des étincelles susceptibles d'enflammer la poussière ou les vapeurs présents.
- Éloigner les enfants et toute personne se trouvant à proximité pendant l'utilisation d'un appareil électrique. Ceux-ci pourraient vous distraire et vous faire perdre la maîtrise de l'appareil.

2) Sécurité électrique


- Les prises des appareils électriques doivent correspondre aux prises du secteur. Ne modifiez jamais la prise en aucune façon. Ne jamais utiliser d'adaptateur sur la prise électrique d'outil mis à la terre. Des prises non modifiées, adaptées aux boîtiers de prise de courant, réduiront les risques de décharge électrique.
 - Éviter le contact corporel avec les surfaces mises à la terre telles que tuyaux, radiateurs, cuisinières et réfrigérateurs. Le risque de décharge électrique est plus important si votre corps est mis à la terre.
 - Ne pas exposer votre appareil électrique à la pluie ou à l'humidité. L'infiltration d'eau dans un appareil électrique augmentera le risque de décharge électrique.
 - Ne pas maltraiter le cordon électrique. N'utilisez jamais le cordon électrique pour porter, tirer ou débrancher l'appareil électrique. Conservez le cordon électrique à l'écart de la chaleur, de l'essence, de bords tranchants ou de pièces en mouvement. Un cordon électrique endommagé ou entortillé accroît le risque de décharge électrique.
 - Au cas où l'appareil électroportatif serait utilisé à l'extérieur, servez-vous d'une rallonge appropriée à une utilisation en extérieur. Cela réduit le risque de décharge électrique.
- Si une utilisation de l'appareil dans un environnement humide ne peut être évitée, utilisez une alimentation protégée par un disjoncteur différentiel. L'utilisation d'un disjoncteur différentiel réduit le risque de décharge électrique.
 - Lorsqu'utilisé en Australie ou en Nouvelle Zélande, il est recommandé que cet appareil soit TOUJOURS s'alimenté via un disjoncteur différentiel ayant un courant résiduel de 30 mA ou moins.
 - Utiliser une rallonge adaptée. Vérifiez que les rallonges électriques soient toujours en bon état. Lors de l'utilisation d'une rallonge, assurez-vous qu'elle est adaptée au transport du courant demandé par l'appareil. Un câble sous-dimensionné entraînera une baisse de tension et conduira à une perte de puissance voire à une surchauffe.
- Sécurité des personnes**
 - Rester vigilant et faire preuve de bon sens lors de la manipulation de l'appareil. Ne pas utiliser d'appareil électrique en état de fatigue ou sous l'influence de drogues, d'alcool ou de médicaments. Un moment d'inattention pendant l'utilisation d'un appareil électrique peut se traduire par des blessures graves.
 - Porter des équipements de protection. Porter toujours des lunettes de protection. Le port d'équipements de protection tels que des masques à poussières, des chaussures de sécurité antidérapantes, un casque de sécurité ou des protections antibruit, selon le travail à effectuer, réduira le risque de blessures aux personnes.
 - Éviter tout démarrage accidentel. S'assurer que l'interrupteur marche-arrêt soit en position d'arrêt (OFF) avant de brancher l'appareil sur l'alimentation secteur. Porter un appareil électrique tout en maintenant le doigt posé sur l'interrupteur ou brancher un appareil électrique dont l'interrupteur est sur la position de marche (On) est source d'accidents.
 - Enlever toute clé ou tout instrument de réglage avant de mettre l'appareil électrique en marche. Une clé ou un instrument de réglage resté fixé à un élément en rotation de l'appareil électrique peut entraîner des blessures physiques.
 - Ne pas essayer d'atteindre une zone hors de portée. Garder une position stable afin de maintenir votre équilibre. Cela permet de mieux contrôler l'appareil électrique dans des situations inattendues.
 - Porter des vêtements appropriés. Ne pas porter de vêtements amples ou des bijoux pendents. Garder les cheveux et vêtements à l'écart des parties mobiles. Les vêtements amples, les bijoux pendents ou les cheveux longs peuvent être happés par les pièces en mouvement.
 - Si l'appareil est équipé de dispositifs destinés au raccord d'équipements d'extraction et de récupération de la poussière/sûre, s'assurer qu'ils soient bien fixés et utilisés correctement. L'utilisation de ces dispositifs peut réduire les risques dus à la poussière.
 - Ne relâchez pas votre vigilance sous prétexte qu'un usage fréquent vous donne l'impression de vous sentir suffisamment en confiance et familier avec l'appareil et son utilisation. Une action inconsidérée qui ne durerait ne serait-ce qu'une fraction de seconde pourrait entraîner un accident impliquant de graves blessures.
 - Utilisation et entretien d'appareils électriques
 - Ne pas surcharger l'appareil électrique. Utiliser l'appareil électrique approprié au travail à effectuer. Un appareil électrique adapté et employé au rythme pour lequel il a été conçu permettra de réaliser un travail de meilleure qualité et dans de meilleures conditions de sécurité.
 - Ne pas utiliser un appareil électrique dont l'interrupteur marche-arrêt est hors service. Tout appareil électrique dont la commande ne s'effectue plus par l'interrupteur marche-arrêt est dangereux et doit être réparé.
 - Débrancher l'appareil électrique et/ou retirer la batterie, dans la mesure du possible, avant d'effectuer tout réglage, changement d'accessoire ou avant de le ranger. De telles mesures préventives réduiront les risques de démarrage accidentel.
 - Ranger les appareils électriques inutilisés hors de portée des enfants et ne pas permettre l'utilisation de ces appareils aux personnes novices ou n'ayant pas connaissance de ces instructions. Les appareils électriques sont dangereux dans les mains d'utilisateurs inexpérimentés.
 - Veiller à l'entretien des appareils électriques. Vérifier que les éléments rotatifs soient bien alignés et non grippés. S'assurer de l'absence de pièces cassées ou endommagées susceptibles de nuire au bon fonctionnement de l'appareil. Si l'appareil électrique est endommagé, le faire réparer avant toute utilisation. De nombreux accidents sont causés par l'utilisation d'appareils électriques mal entretenus.
 - Garder les appareils de coupe affûtés et propres. Des appareils de coupe bien entretenus, aux tranchants bien affûtés, sont moins susceptibles de se gripper et sont plus faciles à contrôler.
 - Utiliser l'appareil électrique, les accessoires et les appareils à monter, etc., conformément à ces instructions et selon l'utilisation prévue pour le type d'appareil donné, en tenant compte des conditions de travail et de la tâche à réaliser. Toute utilisation de cet appareil électrique autre que celle pour laquelle il a été conçu peut entraîner des situations à risque et entraînerait une annulation de sa garantie.
 - Veillez à ce que les poignées et toute surface de préhension de l'appareil soient toujours propres, sèches et exemptes d'huile et de graisse. Une poignée ou une surface de préhension rendue glissante ne consentirait pas à l'utilisateur de conserver une parfaite maîtrise de son appareil en toutes circonstances.
 - Entretien
 - Ne faire réparer l'outil électrique que par un réparateur qualifié utilisant uniquement des pièces de rechange identiques. Cela permettra d'assurer la sécurité continue de cet appareil électrique.

Consignes de sécurité supplémentaires relatives aux défonceuses

AVERTISSEMENT

- Tenez l'outil électrique par ses surfaces de préhension isolées, au cas où la fraise rentre en contact avec des câbles et fils cachés. Lorsqu'un accessoire de coupe rentre en contact avec un fil sous tension les parties métalliques de l'outil peuvent être mises sous tension et exposer l'utilisateur à un choc électrique.
- Immobilisez la pièce de travail à l'aide d'un étai ou d'une pince de serrage sur une surface stable. Maintenir la pièce de travail à la main ou contre le corps peut engendrer une perte de contrôle.
- Si le remplacement du cordon d'alimentation s'avérait nécessaire, celui-ci devrait être réalisé par le fabricant ou auprès d'un centre agréé afin d'éviter tout risque d'accident.
- Il est fortement recommandé d'alimenter l'outil à travers un disjoncteur différentiel (RCD) dont le courant résiduel nominale est de 30 mA ou moins.
- a) Portez des équipements de sécurité tels que des lunettes ou une visière, des protections auditives, un masque respiratoire et des vêtements de protection tel que des gants de sécurité.
- b) Les chiffons, cordes, ficelles etc. ne doivent jamais être laissés dans l'espace de travail.
- c) Assurez-vous que la tension de la source principale d'alimentation soit la même que celle indiquée sur la plaque signalétique de l'appareil.
- d) Assurez-vous que toutes les rallonges électriques utilisées avec l'appareil soient électriquement sûres, et qu'elles possèdent l'ampérage indiqué pour l'appareil.
- e) Déroulez complètement les rallonges de l'enrouleur pour éviter toute surchauffe.
- f) Utilisez un détecteur approprié pour déterminer si des câbles ou conduites se trouvent sous la surface de la zone de travail. *Contactez les sociétés des services publics appropriées si nécessaire. Un contact avec des câbles électriques peut engendrer des chocs électriques et des incendies. Endommager une conduite de gaz peut engendrer une explosion. Un contact avec une conduite d'eau peut provoquer des dommages matériels importants.*
- g) Assurez-vous d'avoir enlevé les corps étrangers tels que les clous et les vis de la pièce de travail avant de commencer à travailler.
- h) Manipulez les fraises avec précaution car elles peuvent être extrêmement tranchantes.
- i) Avant utilisation, vérifiez avec précaution que l'embout ne soit pas endommagé ou fissuré. *Remplacez immédiatement les embouts endommagés ou fissurés.*
- j) Assurez-vous que les fraises/embouts sont aiguisés et entretenus correctement. *Si les tranchants sont émoussés, cela peut engendrer des pertes de contrôle, le calage de l'appareil, une augmentation de la chaleur et des blessures.*
- k) Utilisez TOUJOURS les deux mains et maintenez fermement la défonceuse avant de commencer tout travail.
- l) Gardez les poignées et les surfaces de préhension sèches, propres et sans huile ou graisse pour assurer une prise en main sûre de l'appareil pendant son utilisation.
- m) Avant d'utiliser l'appareil pour faire une coupe, mettez-le en marche et laissez-le fonctionner librement pendant quelques instants. *Des vibrations peuvent indiquer un embout mal installé.*
- n) Notez le sens de rotation de la fraise et celui du déplacement de l'outil.
- o) Gardez vos mains éloignées de la zone de défonçage et de la fraise. *Maintenez la poignée auxiliaire ou les surfaces de préhension isolantes avec votre deuxième main.*
- p) Ne démarrez JAMAIS la défonceuse lorsque la fraise est en contact avec la pièce de travail.
- q) Assurez-vous toujours que le ressort de plongée est installé pendant l'utilisation à la main de la défonceuse.
- r) Assurez-vous que la fraise est complètement arrêtée avant de plonger vers la position de verrouillage de la pince.
- s) La vitesse maximale de la fraise/l'embout doit être au moins aussi élevée que celle de l'appareil.
- t) Des parties de la fraise peuvent devenir extrêmement chaudes pendant l'utilisation. *Ne manipulez pas immédiatement après l'utilisation pour éviter le risque de brûlure.*
- u) Ne laissez aucune pièce venir en contact avec des matériaux combustibles
- v) La taille de la tige de la fraise/l'embout doit être exactement de la même taille de la pince installée sur la défonceuse. *Une fraise/un embout incorrectement installé(e) aura un mouvement de rotation irrégulier et augmentera les vibrations, cela peut engendrer une perte de contrôle.*
- w) N'essayez JAMAIS d'appuyer sur le bouton de bocage de l'arbre ou de mettre l'appareil en mode de changement d'embout lorsque l'appareil est en marche.
- x) Gardez une pression constante lors d'une coupe dans la pièce de travail, en laissant la fraise décider de la vitesse de coupe. *Ne forcez pas sur l'appareil, et ne surchargez pas le moteur.*
- y) Assurez-vous que les étiquettes et les avertissements de sécurité sur l'appareil restent lisibles et remplacez-les s'ils sont endommagés ou abimés.

- z) Lorsque vous utilisez la défonceuse, restez sur vos gardes ; la fraise pourrait caler, entraînant une perte de contrôle. *Assurez-vous toujours de bien maintenir la défonceuse. Dans de telles circonstances, soyez prêt à relâcher l'interrupteur de marche/arrêt immédiatement.*
- Après avoir éteint la défonceuse, vérifiez que la fraise a un mouvement de rotation régulier (non vacillant) et qu'il n'y a pas de vibrations supplémentaires dues à une fraise mal installée. Faire fonctionner la défonceuse avec une fraise mal installée peut engendrer une perte de contrôle et des blessures graves.
- Une extrême précaution est requise lorsque vous utilisez des fraises d'un diamètre supérieur à 50 mm (2"). Faites descendre la fraise lentement et/ou faites de multiples fraisages peu profonds pour éviter la surcharge du moteur.
- Éteignez TOUJOURS l'appareil et attendez que l'embout soit complètement arrêté avant de le retirer de la pièce de travail.
- Débranchez l'appareil de sa source d'alimentation avant d'effectuer un réglage, l'entretien ou la révision.
- Même s'il est utilisé selon l'usage conforme et dans le respect des présentes consignes de sécurité, il est impossible d'éliminer tout facteur de risque. À utiliser en prenant une extrême précaution. Si vous avez un quelconque doute sur la manière d'utiliser cet appareil en toute sécurité, n'entrez pas de vous en servir.

 **AVERTISSEMENT : les poussières générées par des outils électroportatifs peuvent être toxiques.** Certains matériaux peuvent être traités chimiquement ou avoir un revêtement, et présenter un risque toxique. Certains matériaux naturels ou composites peuvent contenir des produits chimiques toxiques. Certaines peintures anciennes peuvent contenir du plomb et d'autres produits chimiques. Évitez les longues expositions à la poussière créée par l'utilisation de la défonceuse. NE laissez PAS la poussière se poser sur la peau ou les yeux, et ne laissez pas la poussière rentrer dans la bouche pour éviter l'absorption de produits chimiques nocifs. Si possible, travaillez dans un endroit bien ventilé. Utilisez un masque respiratoire et un système d'extraction de la poussière adéquats. Là où il y a une plus grande fréquence d'exposition, il est encore plus important que toutes les précautions de sécurité soient respectées et que des protections personnelles d'un niveau supérieur soient utilisées.

Descriptif du produit

1. Tourelle à butées
 2. Mandrin
 3. Butée de profondeur
 4. Événements latéraux
 5. Bouton de verrouillage de la butée de profondeur
 6. Moteur
 7. Cache de sécurité de l'interrupteur
 8. Interrupteur à bascule ON/OFF
 9. Caches d'accès aux balais de charbon
 10. Variateur de vitesse
 11. Levier de verrouillage du mode plongeant
 12. Carters de protection
 13. Boutons de montage de la semelle
 14. Point de connexion de la poignée remontoir (table)
 15. Tubulure d'extraction des poussières
 16. Verrouillage automatique de l'arbre
 17. Bague d'embrayage de la poignée remontoir
 18. Bouton de sélection du mode plongeant
 19. Poignée remontoir
 20. Molette de réglage micrométrique
 21. Cache d'accès au ressort de plongée
 22. Connexion pour clé de contournement (anti démarrage accidentel (NVR))
 23. Guide
 24. Pince (x 2)
 25. Poignée remontoir (table)
 26. Clé
 27. Pivot de montage pour fraisage circulaire
 28. Semelle prolongée
 29. Clé de contournement
 30. Vis (1/4 filetage UNC x 4) pour le serrage sur tables CMT (pièce de rechange 990.467.00)
- Fig. II**
- A. Filetage UNC 1/4 x 4
 - B. Filetage M6 x 3
 - C. Insert de la poignée remontoir (table)

Usage conforme

Défonceuse plongeante portable pour usage avec les fraises à tige de 1/2" et 12 mm (en fonction de la pince de serrage installée). Conçue pour la découpe de profils, rainures, bordures et de perforations prolongées dans le bois naturel et composite. Peut également être utilisée avec des bagues de copiage et gabarits pour la découpe de formes, le suivi de modèles. La défonceuse peut être utilisée en installation stationnaire sur système table de défonceuse compatible.

L'outil doit UNIQUEMENT être utilisé dans son but prescrit. Toute autre utilisation que celle indiquée dans le présent manuel sera considérée impropre. Tout dommage et toute lésion provenant d'un quelconque utilisation impropre de l'outil relèvera de la responsabilité de l'utilisateur et non du fabricant. Le fabricant ne peut être tenu responsable d'aucune modification apportée à l'outil ni d'aucun dommage résultant d'une telle modification.

Déballage

- Déballer le produit avec soin. Veillez à retirer tout le matériel d'emballage et familiarisez-vous avec toutes les caractéristiques du produit.
- Vérifiez que toutes les parties du produit sont présentes et en bon état.

Avant utilisation

AVERTISSEMENT : assurez-vous que l'outil soit déconnecté de la source d'alimentation avant toutes opérations d'entretien ou changement d'accessoires.

AVERTISSEMENT : périodiquement, lors d'une utilisation prolongée ou lorsque la défonceuse a été transportée ou est tombée, vérifiez que le cache d'accès au ressort de plongée (21) est correctement positionné et fixé en place. Il doit être parallèle au corps de l'outil, sans espace visible, et la vis de fixation doit être correctement positionnée pour empêcher le cache d'accès au ressort de plongée de se dévisser accidentellement (voir Image O). Le ressort de plongée est mis sous tension avec une force capable de causer des blessures graves, s'il est libéré d'une manière incontrôlée. Suivez toujours attentivement les instructions lors du retrait et du remplacement du ressort de plongée.

Installation de la fraise et de la pince

AVERTISSEMENT : portez toujours des gants de protection lors de l'insertion, le retrait et la manipulation d'une fraise - les arêtes de la fraise sont extrêmement tranchantes.

1. Positionnez la défonceuse à l'envers sur une surface plane en veillant à ce que le moteur (6) soit complètement stationnaire et que le câble d'alimentation soit débranché.
2. Plongez la défonceuse au maximum de sa profondeur en appuyant sur la bague d'embrayage de la poignée remontoir (17) (Image B) et en pivotant la poignée remontoir (19) dans le sens horaire jusqu'à ce que la pince (24) dépasse l'embase.

Remarque : veillez à ce que la butée de profondeur (3) soit complètement rétractée (voir 'Butée de profondeur et tourelle à butées'). La pince doit ressortir sous l'embase afin de faciliter l'accès et utiliser la clé.

3. À l'aide de la clé (26), relâchez la pince en la tournant dans le sens antihoraire jusqu'à pouvoir la retirer.
4. Sélectionnez la pince souhaitée et installez-la sur le mandrin (2) fileté en la tournant dans le sens horaire, mais ne serrez pas complètement.
5. Insérez la fraise requise dans la pince, en veillant à ce qu'au moins 20 mm (13/16") ou la moitié de la tige (selon la valeur la plus élevée) soit insérée dans la pince, puis utilisez la clé pour tourner légèrement la pince de serrage tout en laissant le verrouillage de la pince de serrage s'enclencher (Image C). Lorsqu'il est enclenché, tournez la clé dans le sens horaire pour serrer la fraise.
6. Utilisez la bague d'embrayage de la poignée remontoir afin de retourner l'embase sur son mode de fonctionnement standard. La bague va ainsi désenclencher le dispositif de verrouillage de l'arbre et déverrouiller le cache de sécurité de l'interrupteur, permettant ainsi d'utiliser l'interrupteur à bascule ON/OFF (8).

Extraction des poussières

Remarque : cette défonceuse CMT est dotée d'une tubulure d'extraction des poussières (15) pour une extraction au-dessus de la zone de coupe. Elle permet le raccord un tuyau d'un diamètre extérieur de 38 mm (1 1/2").

Le tuyau s'adapte en le vissant sur un filetage à gauche (dans le sens antihoraire) (Image D).

Installation de la semelle prolongée et du guide

1. Desserrez complètement les boutons de montage de la semelle (13). Cela permet aux ergots de montage de se mettre en place dans les trous de la semelle prolongée (28).
2. Mettez la défonceuse et la semelle prolongée à l'envers.
3. Poussez les boutons de montage de la semelle sur l'intérieur de la défonceuse afin d'exposer les ergots de montage.
4. Alignez les ergots de montage avec les trous de montage de la défonceuse situés sur la semelle, faites-les glisser dans les fentes (Image K).

Remarque : le sens de la semelle dépend de l'endroit où le support est nécessaire. Pour le travail de bordure, positionnez l'interrupteur à bascule ON/OFF (8) sur la partie avancée de l'embase.

5. Serrez bien les boutons de montage de la semelle sur la défonceuse afin de verrouiller le positionnement de celle-ci sur la semelle prolongée.
6. Pour installer le guide (23) desserrez les boutons du guide, et faites glisser le guide le long des rainures de la rallonge (Image L). Resserrez les boutons du guide sur le réglage requis afin de verrouiller le guide en place.

Lors du rainurage selon une distance préalable à partir du bord : installez le guide sur le côté le plus long de la semelle prolongée.

Lors du travail en bordure avec une fraise guidée sans roulement : installez le guide sur le côté le plus court de la semelle prolongée.

Lors de l'usage d'une fraise de large diamètre : il peut être nécessaire d'installer des blocs en bois sur les faces du guide à l'aide des trous de fixation afin que la fraise n'entre pas en contact avec le guide.

Instructions d'utilisation

AVERTISSEMENT : portez TOUJOURS des équipements de protection individuelle adaptés tels que des protections oculaires, auditives et respiratoires lorsque vous réglez et utilisez cet outil.

Mise en marche/arrêt

Remarque : lorsque la défonceuse est connectée à une source d'alimentation, l'interrupteur à bascule ON/OFF (8) s'allumera en position ON comme en position OFF.

Remarque : le cache de sécurité de l'interrupteur (7) permet d'éviter tout démarrage accidentel de la défonceuse. Celui-ci doit être relevé afin de pouvoir mettre la défonceuse en marche. Le cache de sécurité restera en position relevée jusqu'à ce que la défonceuse s'arrête.

1. Veillez à ce que la défonceuse soit complètement relevée et que la fraise ne soit pas en contact avec tout objet étranger avant de mettre la défonceuse en marche.
2. Branchez le câble d'alimentation sur l'alimentation secteur puis glissez le cache de sécurité de l'interrupteur vers le haut afin d'accéder à l'interrupteur à bascule ON/OFF.
3. Pour mettre la défonceuse en marche (ON), positionnez l'interrupteur à bascule ON/OFF sur la position '1'. Lorsque l'interrupteur à bascule ON/OFF est sur cette position, le cache de sécurité reste en position relevée.
4. Pour éteindre la défonceuse (OFF), positionnez l'interrupteur à bascule ON/OFF sur la position '0'. Le cache de sécurité retournera alors sur sa position d'origine.

Contrôle de la vitesse variable

Remarque : les réglages de vitesse ne sont pas décisifs. En général, la vitesse la plus élevée mais ne causant pas de traces de brûlure sur la pièce de travail, est la plus adaptée. Respectez toujours la vitesse maximale de l'accessoire indiquée par le fabricant de l'accessoire (si indiquée).

- Une utilisation à vitesse réduite augmente le risque de surcharge et peut ainsi endommager la défonceuse. Effectuez des déplacements lents avec la défonceuse et/ou un fraisage à plusieurs étapes.
- Le régulateur de vitesse (10) est marqué de 1 à 5, correspondant plus ou moins aux vitesses et diamètres d'accessoire indiqués ci-dessous. Sélectionnez la vitesse requise à l'aide de la molette du variateur de vitesse.

Réglage	Tours par minute (RPM)	Diamètre de l'accessoire
5	21.000	Jusqu'à 25 mm (1")
4	18.000	25 - 50 mm (1" - 2")
3	14.500	50 - 65 mm (2" - 2-1/2")
2	11.000	Au-delà de 65 mm (2-1/2")
1	8.000	À n'utiliser qu'en cas de brûlure

Réglage de la profondeur de fraisage

IMPORTANT :

LE NON RESPECT DES INSTRUCTIONS FOURNIES CI-DESSOUS ENDOMMAGERA LE MÉCANISME DE PLONGÉE.

Veillez TOUJOURS à ce que le levier de verrouillage du mode plongéant (11) soit désenclenché en le réglant sur sa position la plus haute avant d'ajuster la profondeur de coupe en suivant la méthode "Plongée libre" ou "Réglage de la poignée remontoir" ci-dessous.



Remarque : pour verrouiller la défonceuse sur un réglage de profondeur particulier, abaissez la tête de la défonceuse puis pivotez le levier de verrouillage de la profondeur (11) sur sa position la plus basse. Cela permettra de maintenir la position de la tête de la défonceuse.

La profondeur peut être ajustée de 3 manières différentes, en fonction de la précision et du contrôle requis :

Plongée libre

- Le mode de plongée libre peut être sélectionné lorsque le bouton de sélection du mode plongéant (18) est enclenché. Appuyez sur le bouton de sélection du mode plongéant à l'intérieur de la poignée remontoir jusqu'à ce qu'il enclenche le mode plongéant (Image A).
- Relâchez le levier de verrouillage du mode plongéant (11)** et poussez le corps de la défonceuse jusqu'à obtenir le réglage de profondeur requis puis réenclenchez le levier de verrouillage.

Réglage de la poignée remontoir

- La profondeur de plongée peut être ajustée en tournant la poignée remontoir (19).
- Désenclenchez le bouton de sélection du mode plongéant (18) et veillez à ce que le bouton soit afférent avec la poignée remontoir.
- Pour relâcher la poignée remontoir, tirez sur la bague d'embrayage de la poignée remontoir (17) (Image B).
- Relâchez le levier de verrouillage du mode plongéant (11)** et tournez la poignée remontoir jusqu'à atteindre le réglage de profondeur requis. Relâchez la bague d'embrayage de la poignée remontoir et verrouillez le levier de verrouillage de la profondeur.

Réglage micrométrique

IMPORTANT : à utiliser uniquement en mode réglage par poignée remontoir (19).

- Désenclenchez le bouton de sélection du mode plongéant (18) et **veillez à ce que le levier de verrouillage du mode plongéant (11) soit désenclenché.**

Remarque : si la molette de réglage micrométrique (20) est utilisée lorsque le levier de verrouillage du mode plongéant est enclenché, la molette va cliquer et la profondeur restera donc inchangée.

- Tournez la molette de réglage micrométrique dans le sens horaire afin d'augmenter la profondeur de fraisage et dans le sens antihoraire pour réduire la profondeur de fraisage. Ajustez la profondeur de fraisage jusqu'à obtenir un réglage adapté.

Remarque : lorsque la fin de la plage de réglage de la profondeur est atteinte, le molette deviendra alors difficile à tourner et commencera à cliquer.

- Enclenchez le levier de verrouillage de la profondeur, surtout lors de fraisages intensifs.

Butée de profondeur et tourelle à butées

- La butée de profondeur (3) et la tourelle à butées (1) permettent de régler la défonceuse sur 3 réglages de profondeur prédéfinis avec précision.
- Desserrez le bouton de verrouillage de la butée de profondeur (5), relevez complètement la butée de profondeur (3) puis resserrez le bouton de verrouillage (Image F).
- Sélectionnez le réglage de tourelle requis à l'aide de l'échelle indiquée sur la partie stationnaire (Image G).

Remarque : pour changer de réglage, pivotez l'ensemble de la tourelle et alignez celle-ci avec la butée de profondeur.

- Avec l'accessoire requis installé dans la pince (24), ajustez la profondeur de plongée jusqu'à ce que la pointe de l'accessoire entre en contact avec la pièce de travail.
- Tournez la tourelle jusqu'à ce que la partie fixe soit alignée avec la butée de profondeur. Relâchez la butée de profondeur, de manière à ce qu'elle vienne s'appuyer sur la partie fixe, puis resserrez le bouton de verrouillage de la butée de profondeur. La profondeur de plongée est maintenant réglée sur 0.

- Pivotez la tourelle à butées jusqu'à ce que la butée indiquant la profondeur de plongée correcte soit alignée avec la butée de profondeur.

Fraisage

Remarque : ne JAMAIS utiliser la défonceuse en mode mains-libres sans utiliser de guide ou gabarit. Il est possible d'utiliser une fraise à roulement, les guides fournis ou une règle (Image I).

- Maintenez TOUJOURS la défonceuse avec les deux mains, par les poignées prévues à cet effet. Assurez-vous que la pièce de travail soit bien immobilisée et utilisez une pince de serrage dans la mesure du possible.
- Laissez le moteur atteindre sa vitesse de fonctionnement.
- Abaissez la fraise sur la surface de la pièce de travail et déplacez lentement la défonceuse, en veillant à garder la semelle à plat contre la surface de la pièce.
- Si vous souhaitez travailler sur les bords, la coupe de la pièce de travail doit être réalisée sur le côté gauche par rapport à la direction de la coupe (Fig. I). Maintenez une pression constante et laissez la fraise travailler de façon continue à travers le matériau. N'oubliez pas que des nœuds ou tout autre variation dans le matériau peuvent ralentir la progression.

Remarque : afin d'éviter à la fraise de vibrer sur le matériau, dirigez la coupe dans le sens antihoraire pour les coupes externes et dans le sens horaire pour les coupes internes.

Remarque : déplacer la défonceuse trop rapidement peut entraîner une surcharge du moteur (6) et ainsi une mauvaise qualité de finition. La déplacer trop lentement peut entraîner une surchauffe de la pièce de travail.

Remarque : une utilisation normale de la défonceuse consiste à plonger la tête une fois que l'appareil électrique est en marche.

Remarque : ne jamais démarrer la défonceuse lorsque renversée à moins qu'elle ne soit montée de manière sûre, sur une table de défonceuse disposant de carters et protections adaptées (ex. : de marque CMT).

Fraisage à plusieurs passes

- La tourelle à butées (1) permet d'obtenir la profondeur de coupe maximale en plusieurs étapes, déterminées par l'utilisateur. Chaque réglage de la tourelle peut être ajusté en tournant la tourelle.
- Pivotez la tourelle à butées jusqu'à ce que la butée de profondeur (3) entre en contact avec le réglage de la tourelle le plus haut lorsque la défonceuse est abaissée. Le premier passage peut alors être effectué.
- Continuez d'effectuer vos passages, en pivotant la tourelle et en ajustant la profondeur de chaque passe lorsque nécessaire, jusqu'à obtenir la profondeur de coupe requise.

Fraisage circulaire

- Installez la semelle prolongée (28) sans le guide (23) sur la défonceuse.
- Retirez le pivot de montage pour fraisage circulaire (27) de la semelle prolongée puis fixez celui-ci sur la pièce de travail, à l'aide d'une petite pointe ou vis, à travers un des trous du pivot (Image M). Laissez le bouton du pivot de montage en position.
- Abaissez la défonceuse sur le bouton du pivot de montage et réinstallez la rondelle et l'écrou à ailettes (Image N).
- Avec la défonceuse à l'arrêt, guidez celle-ci en suivant le chemin prévu afin de vérifier le cercle ou d'ajuster celui-ci si nécessaire.
- Usinez le cercle en plusieurs passes, et augmentez la profondeur de coupe d'approximativement 2 mm (3/32") à chaque passage (Image N). NE PAS essayer de couper en profondeur en une seule passe.
- Coupes transversales :** si vous souhaitez couper à travers toute l'épaisseur du matériau, fixez une traverse sacrificielle sous la pièce de travail. Coupez le cercle de manière surdimensionnée, et une fois que la coupe traverse toute l'épaisseur du matériau, réduisez le diamètre et retravaillez jusqu'à obtenir les dimensions (en effectuant plusieurs passes).

Usage sur table de défonceuse

Remarque : l'installation et l'usage de cette défonceuse sur une table de défonceuse (autre que CMT) compatible doivent être effectués selon les instructions fournies avec la table de défonceuse.

Remarque : bien que ce produit ait été conçu pour un usage efficace et pratique sur la plupart des tables de défonceuse, il est particulièrement bien adapté pour être utilisé avec le module Table de défonceuse CMT.

Remarque : les réglages de la défonceuse sont extrêmement faciles à effectuer à l'aide des caractéristiques précédemment énoncées dans ce manuel. Voir 'Installation de la fraise et de la pince' et 'Réglage de la profondeur de fraisage'.

IMPORTANT : le ressort de plongée doit impérativement être retiré avant de monter la défonceuse sur une table compatible :

1. Réglez la défonceuse sur le réglage le plus élevé de sa plage de plongée, puis enclenchez le levier de verrouillage de la profondeur (11).
2. Dévissez et retirez la petite vis située près du cache d'accès au ressort de plongée (21) (Image O).

3. En utilisant la paume de votre main, appliquez une pression descendante sur le cache d'accès au ressort de plongée et tenez celui-ci fermement avec votre seconde main afin que le ressort ne saute pas vers le haut une fois relâché. Tout en maintenant une pression descendante et en tenant le cache fermement, tournez le cache d'accès au ressort de plongée dans le sens antihoraire pour le retirer (Image P).

⚠ AVERTISSEMENT : le ressort de plongée est mis sous tension avec une force importante afin de permettre une action de plongée fluide. Le cache d'accès au ressort de plongée et le ressort de plongée sauteraient rapidement vers le haut avec une force identique lorsque dévisés. Faites attention à ne pas relâcher le cache d'accès au ressort de plongée de manière incontrôlée, ceci pouvant entraîner des blessures graves.

4. Laissez le cache d'accès au ressort de plongée remonter lentement et de manière contrôlée, une fois dévisé (Image Q).
5. Retirez le ressort et rangez-le dans un endroit sûr.
6. Remplacez le cache d'accès au ressort de plongée et resserrez la vis.

⚠ AVERTISSEMENT : lors de la réinsertion du ressort de plongée, vérifiez avec précaution que le cache d'accès au ressort de plongée soit bien vissé. Il doit être parallèle au corps de l'outil, sans espace visible, et la vis de fixation doit être correctement positionnée pour empêcher le cache d'accès au ressort de plongée de se dévisser accidentellement.

Remarque : veillez à ce le ressort de plongée soit réinstallé sur la défonceuse avant d'utiliser la défonceuse en mode mains-libres.

IMPORTANT : avant d'installer la défonceuse sous la table pour défonceuse, veillez à ce que le bouton de verrouillage de la butée de profondeur (5) ne soit pas enclenché et que le levier de verrouillage du mode plongant (11) soit en position déverrouillée.

- La poignée remontoir (table) (25) s'enclenche avec le point de connexion de la poignée remontoir (table) (14) pour un ajustement de la hauteur simplifié au-dessus de la table lorsque la défonceuse est montée sur table.

Installation de la clé de contournement anti démarrage accidentel (NVR)

La défonceuse CMT7E dispose d'une fonction de sécurité anti démarrage accidentel (NVR - No Voltage Release = Pas de libération de tension) qui empêche le moteur de redémarrer automatiquement après une coupure de courant. Pour réinitialiser l'outil, l'interrupteur doit être remis en position OFF avant de le remettre en marche. Lorsque la défonceuse est utilisée avec le WorkCentre CMT (avec table de défonceuse CMT) ou une table de défonceuse d'autre marque, disposant de sa propre protection NVR, cette fonction peut être contournée en insérant la clé de contournement (29) NVR. Cela permet ainsi de contrôler le fonctionnement ON/OFF de l'outil par le biais de l'interrupteur ON/OFF de la table de défonceuse.

1. Visez la clé de contournement NVR dans la connexion pour clé de contournement (anti démarrage accidentel) (NVR) (22) et serrez légèrement à la main (Image T).
2. Installez la plaque de fixation sur le dessous du WorkCentre (Image U).
3. Mettez la défonceuse en marche et utilisez l'interrupteur ON/OFF de la table de défonceuse pour contrôler la défonceuse.

⚠ AVERTISSEMENT : utilisez uniquement la clé de contournement NVR lorsque la défonceuse est connectée à une source d'alimentation étant protégée par un système de protection anti démarrage accidentel (NVR - No Voltage Release = Pas de libération de tension) telle que le WorkCentre CMT. Veillez TOUJOURS à ce que la plaque de fixation soit installée sur la table de défonceuse pour éviter d'accidentellement retirer la défonceuse sans retirer la clé de contournement.

Important

1. Pour monter la défonceuse CMT sur des tables CMT ou celles d'une autre marque ou une table de votre propre construction, enlevez les 4 vis de la plaque de base noire indiquées sur l'image S. Ensuite enlève la plaque de base
2. Til y a 2 jeux de filetages de vis, voir la fig. II.

- A: 4 x vis filetage UNC (utilisés pour fixer la plaque de base) qui sont également adaptés au montage des tables CMT.

- B: 3 x vis filetage M6

3. Utilisez les 4 vis incluses (30) pour installer la défonceuse sur les tables CMT.

Remarque : Les vis filetage M6 ne sont pas disponibles sur les versions précédentes de la défonceuse CMT7E (2022).

Accessoires

Une grande variété d'accessoires et de pièces de rechange adaptées à cet outil sont disponibles auprès de votre revendeur CMT, telles que :

- Un large éventail de fraises.
- Plaques perforées (image H) pour accessoires CMT
- Bagues de guidage
- Pincés
- Brosses di carbon

Entretien

⚠ AVERTISSEMENT : débranchez l'appareil de sa source d'alimentation avant toute opération de nettoyage ou d'entretien.

Inspection générale

- Vérifiez régulièrement que toutes les vis soient bien serrées.
- Vérifiez le câble d'alimentation de l'appareil avant chaque utilisation, à la recherche de tout signe de dommage ou d'usure. En cas d'usure ou d'endommagement nécessitant une réparation, celle-ci ne doit être réalisée que par le fabricant ou qu'auprès d'un centre de réparation agréé CMT. Cette consigne s'applique également pour toute rallonge éventuellement utilisée avec cet outil.

Nettoyage

⚠ AVERTISSEMENT : TOUJOURS porter des équipements de protection y compris lunettes de protection et gants lors du nettoyage de l'outil.

- Gardez l'outil propre en permanence. La poussière et la saleté provoquent l'usure rapide des éléments internes de l'appareil, ce qui réduit sa durabilité.
- Utilisez une brosse souple ou un chiffon sec pour le nettoyage.
- N'utilisez jamais d'agents caustiques sur les parties plastiques. Si un nettoyage sec ne suffit pas, il est recommandé d'utiliser un détergent doux sur un chiffon humide.
- L'outil ne doit jamais être mis en contact avec de l'eau.
- Assurez-vous que l'outil soit complètement sec avant de l'utiliser.
- Si vous en avez la possibilité, nettoyez les orifices de ventilation à l'air comprimé propre et sec (dans la mesure du possible).

Lubrification

- Lubrifiez régulièrement les parties mobiles avec un vaporisateur de lubrifiant adéquat.

Remplacement des balais de charbon

- Avec le temps, les balais de charbon du moteur s'usent.
- Si les balais sont excessivement usés, le rendement du moteur peut diminuer, l'outil peut ne pas démarrer ou une quantité anormale d'étincelles peut être observée.
- Pour remplacer les balais, enlevez les caches d'accès aux balais de charbon (9). Retirez les charbons usés avec précaution (Image R) et vérifiez que les compartiments sont propres. Remplacez-les avec 2 x balais neufs (remplacez toujours les balais par paire) puis repositionnez les caches d'accès.
- Après le remplacement, faites tourner la défonceuse pendant 2-3 minutes pour roder les charbons. Le processus de rodage peut se prolonger sur plusieurs utilisations. Des étincelles peuvent être produites jusqu'à ce que les nouveaux balais soient rodés.
- Vous pouvez également les faire remplacer auprès d'un centre d'entretien agréé CMT.

Contact

Pour service technique/de réparation, veuillez contacter votre revendeur.

Web : www.cmtorangetools.com

Rangement

- Rangez ce produit dans endroit sec, sûr et hors de portée des enfants.

Recyclage

Lorsque l'outil n'est plus en état de fonctionner et qu'il n'est pas réparable, recyclez celui-ci conformément aux réglementations nationales.

- Ne jetez pas les outils électriques, batteries et autres déchets d'équipements électriques ou électroniques (DEEE) avec les ordures ménagères.
- Contactez les autorités locales compétentes en matière de gestion des déchets pour vous informer de la procédure à suivre pour recycler les outils électriques.

En cas de problème

Problème	Cause possible	Solution
Ne fonctionne pas lorsque l'interrupteur à bascule ON/OFF (8) est actionnée	Absence d'alimentation	Vérifiez l'alimentation électrique.
	Interrupteur à bascule ON/OFF défectueux	Faites remplacer l'interrupteur à bascule ON/OFF auprès d'un centre de réparation agréé CMT.
Le profil de coupe manque de précision	La butée de profondeur (3) n'est pas ajustée correctement	Veillez à ce que la butée de profondeur corresponde au réglage maximum de coupe permis par la tourelle à butées (1).
	La fraise ou la pince (24) est mal installée ou s'est desserrée	Resserrez la fraise / la pince et la montage.
La défonceuse ne fonctionne pas	Absence d'alimentation	Vérifiez que l'alimentation fonctionne correctement à la source.
	Balais de charbon usés	Débranchez l'appareil, ouvrez les caches d'accès aux balais de charbon (9) et vérifiez que les balais ne sont pas excessivement usés ou endommagés.
	L'interrupteur est défectueux	Faites réparer l'appareil par un centre de réparation agréé CMT.
	Les éléments du moteur sont défectueux ou court-circuités	
La défonceuse fonctionne lentement	La fraise est émoussée ou endommagée	Réaffûtez ou remplacez la fraise.
	Le variateur de vitesse (10) est positionné sur une vitesse faible	Ajustez le réglage de la vitesse.
	Le moteur est surchargé	Réduisez la pression appliquée sur la défonceuse.
Vibrations excessives	La fraise est mal installée ou s'est desserrée	Réinstallez ou resserrez la fraise.
	La fraise est déformée ou endommagée	Remplacez la fraise.
Quantité excessive d'étincelles à l'intérieur du boîtier moteur	Les balais de charbon ne peuvent pas se déplacer librement	Débranchez l'appareil, retirez les balais de charbon, nettoyez-les ou remplacez-les.
	Le moteur est endommagé ou usé	Faites réparer l'appareil par un centre de réparation agréé CMT.
La molette de réglage micrométrique (20) "clique" ou ne peut être ajustée	Le levier de verrouillage du mode plongeant (11) est enclenché	Relevez le levier de verrouillage du mode plongeant.
	La molette a atteint le réglage maximum disponible	Réinitialisez la molette et ajustez la profondeur à l'aide de la butée de profondeur (3).
L'appareil émet un bruit inhabituel	Obstruction mécanique	
	Les éléments internes sont endommagés	Faites réparer l'appareil par un centre de réparation agréé CMT.

Traduzione delle istruzioni originali

Introduzione

Grazie per aver acquistato questo prodotto CMT. Questo manuale contiene le informazioni necessarie per un funzionamento sicuro ed efficace di questo prodotto. Questo prodotto ha caratteristiche uniche e, anche se si ha familiarità con prodotti simili, è necessario leggere attentamente questo manuale per assicurarsi di comprendere a pieno le istruzioni. Assicurarsi che tutti gli utenti del prodotto leggano e comprendano a pieno questo manuale. Conservare le istruzioni con il prodotto per eventuali consultazioni future.

Descrizione dei simboli

La targhetta sullo strumento può mostrare simboli. Questi rappresentano importanti informazioni sul prodotto o istruzioni sul suo utilizzo.



Indossare la protezione acustica
Indossare una protezione per gli occhi
Indossare una protezione respiratoria
Indossare un casco protettivo



Indossare la protezione delle mani



ATTENZIONE - Per ridurre il rischio di lesioni, l'utente deve leggere il manuale di istruzioni



Attenzione!



ATTENZIONE: lame o denti affilati!



NON utilizzare in caso di pioggia o in ambienti umidi!



Scollegare sempre dalla rete elettrica durante la regolazione, la sostituzione degli accessori, la pulizia, la manutenzione e quando non in uso!



Si raccomanda/richiede un sistema di estrazione della polvere



Costruzione di classe II (doppio isolamento per una protezione supplementare)



Protezione ambientale

Rifiuti elettrici e le batterie, comprese le batterie a litio, non devono essere smaltiti con i rifiuti domestici. Riciclare dove esistono strutture idonee. Verificare con le autorità locali o con il vostro rivenditore per consigli sul riciclaggio.



Conforme agli attuali standard legislativi e di sicurezza.

Abbreviazioni tecniche

V	Tensione
~	Corrente alternata
A	Ampere, milliampere
Hz	Hertz
W, kW	Watt, Kilowatt
min ⁻¹	Giri al minuto

Specifiche Tecniche

Numero modello:	CMT7E
Tensione:	220 - 240 V~ 50 / 60 Hz
Max. potenza di ingresso:	9,1 A
Max. potenza di uscita:	2400 W (3,25 CV di picco)
Velocità a vuoto:	8.000 - 21.000 min ⁻¹
Ghiera con pinza:	8 e 12mm
Diametro massimo della fresa (Affondo libero):	55 mm (2-3/16")
Codolo massimo della fresa:	½" o 12,7 mm
Regolazione dell'altezza:	1) Affondo libero 2) Impugnatura girevole 3) Micro regolazione
Corsa di affondo:	0 - 68 mm
Protezione d'ingresso:	IPX0
Classe di protezione:	□
Lunghezza del cavo di alimentazione:	3 m
Dimensioni (L x P x A):	180 x 300 x 310 mm
Peso:	6,5 kg
Come parte del nostro continuo sviluppo, le specifiche dei prodotti CMT possono modificare senza preavviso.	
Informazioni su rumori e vibrazioni	
Pressione sonora L _{pa} :	84,2 dB (A)
Potenza sonora L _{wa} :	95,2 dB (A)
Tolleranza K:	3 dB (A)
Vibrazioni ponderate a _v :	5,4 m/s ²
Tolleranza K:	1,5 m/s ²

Il livello di intensità del suono per l'operatore potrebbe superare gli 85 dB (A) rendendo necessarie misure di protezione.

⚠ ATTENZIONE: Indossare sempre protezioni per le orecchie, quando il livello sonoro supera i 85 dB (A) e limitare il tempo di esposizione, se necessario. Se i livelli sonori dovessero creare disagio anche con la protezione auricolare, smettere di utilizzare lo strumento immediatamente e controllare che la protezione acustica sia montata correttamente e che fornisca il giusto livello di isolamento acustico per il livello del suono prodotto dal tuo strumento.

⚠ ATTENZIONE: l'esposizione dell'utente alle vibrazioni dello strumento può causare la perdita del senso del tatto, intorpidimento, formicolio e riduzione della capacità di presa. Una lunga esposizione può portare ad una condizione cronica. Se necessario, limitare la durata di esposizione alle vibrazioni e utilizzare guanti anti-vibrazione. Non utilizzare l'utensile se la temperatura delle mani è al di sotto del normale, in quanto ciò aumenterà l'effetto delle vibrazioni. Utilizzare i dati forniti nelle specifiche tecniche relativi alle vibrazioni per calcolare la durata e la frequenza di funzionamento dell'utensile.

⚠ ATTENZIONE: l'emissione delle vibrazioni durante l'uso effettivo dell'utensile può essere diverso dal valore totale dichiarato in quanto dipende dalle modalità in cui viene utilizzato lo strumento. Vi è la necessità di identificare le misure di sicurezza per proteggere l'operatore che si basano su una stima dell'esposizione nelle effettive condizioni d'uso (tenendo conto di tutte le parti del ciclo operativo come i tempi in cui lo strumento è spento e quando è attivo a vuoto oltre al tempo di attivazione).

Il valore totale della vibrazione dichiarato è stato misurato secondo un metodo di prova standard e può essere utilizzato per confrontare uno strumento con un altro. Il valore totale della vibrazione dichiarato può anche essere utilizzato in una valutazione preliminare dell'esposizione.

I livelli sonori nelle specifiche sono determinati seguendo gli standard internazionali. I dati rappresentano un normale utilizzo per l'utensile in condizioni di lavoro generico. Un utensile tenuto in cative condizioni, montato in modo errato o utilizzato in maniera impropria può essere causa di un aumento dei livelli sonori e delle vibrazioni. www.osha.europa.eu fornisce informazioni sui livelli sonori e delle vibrazioni nei luoghi di lavoro utili agli utenti domestici che utilizzano utensili per lunghi periodi di tempo.

Avvertenze di sicurezza generali per utensili elettrici

⚠ Leggere tutte le avvertenze di sicurezza, istruzioni, illustrazioni e le specifiche fornite con questo utensile elettrico. In caso di mancata osservanza delle istruzioni elencate qui di seguito potrebbe sussistere il pericolo di scosse elettriche, incendi e/o gravi incidenti.

Conservare tutte le avvertenze e le istruzioni per riferimenti futuri.

Il termine "utensile elettrico" nelle avvertenze si riferisce all'utensile elettrico alimentato dalla rete (via cavo) o alimentato a batteria (senza cavo).

1) Sicurezza dell'area di lavoro

- Mantenere l'area di lavoro pulita e ben illuminata. Zone in disordine e buie favoriscono gli incidenti.
- Non utilizzare utensili elettrici in zone con atmosfere esplosive, come ad esempio in presenza di liquidi infiammabili, gas o polveri. Gli utensili elettrici creano scintille che possono dar fuoco a polveri o vapori.
- Tenere i bambini e gli spettatori lontani dalla zona di lavoro durante l'uso di un utensile elettrico. Le distrazioni possono far perdere il controllo.

2) Sicurezza elettrica

- Le spine dell'utensile elettrico devono corrispondere alle prese. Non modificare mai, in alcun modo, la spina. Non usare adattatori spina con utensili elettrici con messa a terra (collegamento di massa). Le spine non modificate e le prese corrispondenti alle spine minimizzeranno i rischi di folgorazione.
- Evitare il contatto del corpo con superfici collegate a terra o a massa, come tubi, radiatori, frigoriferi, etc. Il rischio di folgorazione aumenta se il tuo corpo scarica a terra.
- Non esporre i dispositivi elettrici alla pioggia o all'umidità. Se entra dell'acqua nel dispositivo elettrico, aumenterà il rischio di folgorazione.
- Non abusare del cavo elettrico. Non utilizzare mai il cavo per trasportare, tirare o scollegare il dispositivo elettrico. Tenete il cavo elettrico lontano dalle fonti di calore, da benzina, spigoli vivi o parti in movimento. I cavi danneggiati o impigliati aumentano il rischio di folgorazione.
- Quando un utensile elettrico è usato all'aperto, utilizzare una prolunga adatta all'uso esterno. Usare un cavo adatto per l'uso esterno riduce il rischio di folgorazione.
- Se non si può evitare di usare un utensile elettrico in un luogo umido, utilizzare un dispositivo di protezione a corrente residua (RCD). L'uso di un dispositivo di protezione a corrente residua (RCD) riduce il rischio di scosse elettriche.

- Quando utilizzato in Australia o in Nuova Zelanda, si raccomanda di avviare l'utensile con dispositivi di corrente residua (RCD) con una corrente differenziale nominale di 30 mA o meno.
 - Utilizzare il cavo di estensione appropriato. Assicurarsi che la prolunga sia in buone condizioni. Quando usi una prolunga, assicurati di usarne una abbastanza pesante da sopportare la corrente che il tuo prodotto attirerà. Un cavo sottodimensionato causerà una caduta di tensione di linea con conseguente perdita di potenza e surriscaldamento.
- ### 3) Sicurezza personale
- Quando utilizzi un dispositivo elettrico, state attenti, prestate attenzione a quello che state facendo e usate il buon senso. Non utilizzate un dispositivo elettrico quando siete stanchi o sotto l'influsso di droghe, alcolici o farmaci. Un momento di disattenzione durante l'uso di utensili elettrici può provocare gravi lesioni personali.
 - Usare dispositivi di protezione individuali. Indossare sempre occhiali protettivi. Equipaggiamenti protettivi, come mascherina antipolvere, scarpe di sicurezza antiscivolo, casco di sicurezza o protezione per l'udito utilizzati in condizioni appropriate, riducono il rischio di lesioni personali.
 - Prevenzione di accensione accidentale. Assicurarsi che l'interruttore sia in posizione off prima di collegare la fonte di alimentazione e/o le batterie, quando si prende in mano o si trasporta l'attrezzo. Trasportare utensili elettrici con il dito sull'interruttore o dare potenza a utensili che hanno l'interruttore su un'avvicinarsi il verificarsi di incidenti.
 - Rimuovere qualsiasi chiave di regolazione o chiave inglese prima di accendere il dispositivo elettrico. Una chiave inglese o chiave di regolazione collegata a parti rotanti dell'utensile elettrico possono causare lesioni personali.
 - Non eccedete. Mantenere sempre una corretta posizione dei piedi e un corretto bilanciamento. Questo permette un migliore controllo sull'utensile elettrico in situazioni inaspettate.
 - Vestirsi in modo adeguato. Non indossare abiti larghi né gioielli. Tenete capelli e indumenti lontani dai componenti in movimento. Vestiti larghi, gioielli o capelli lunghi possono essere catturati dalle parti in movimento.
 - Qualora i dispositivi fossero dotati di strumenti per l'aspirazione e la raccolta delle polveri, accertatevi che tali dispositivi siano collegati e utilizzati in modo corretto. L'utilizzo di un aspirapolvere può ridurre i rischi connessi alle polveri.
 - Non permettere che la familiarità acquisita in seguito a un uso frequente degli strumenti porti a un atteggiamento di noncuranza relativamente ai principi di sicurezza della strumentazione. Un'azione negligente può causare gravi lesioni in una frazione di secondo.
- ### 4) Utilizzo e cura di un elettrooutensile
- Non forzare l'elettrooutensile. Utilizzate il dispositivo elettrico corretto per l'utilizzo che se ne vuole fare. L'elettrooutensile corretto sarà in grado di svolgere il lavoro in modo più efficiente e sicuro nell'ambito della gamma di potenza indicata.
 - Non usare lo strumento se l'interruttore non si accende né si spegne. Gli elettrooutensili con un interruttore di accensione difettoso sono pericolosi e devono essere riparati immediatamente.
 - Staccare la spina dalla presa di corrente prima di effettuare qualsiasi regolazione, sostituire gli accessori o riporre gli attrezzi a motore. Queste misure di sicurezza preventive riducono il rischio di avvio involontario.
 - Conservare l'elettrooutensile fuori dalla portata dei bambini e non lasciare che venga utilizzato da persone non adeguatamente addestrate e competenti nell'uso degli elettrooutensili o che non abbiano letto questo manuale di istruzioni. Gli elettrooutensili diventano estremamente pericolosi nelle mani di persone non addestrate.
 - Effettuare la manutenzione degli elettrooutensili e degli accessori. Controllare che non ci sia un disallineamento o un blocco delle parti in movimento, la rottura di alcune componenti e altre condizioni che possano influire sul funzionamento dell'apparecchio. In caso di danneggiamento, fare riparare lo strumento prima di riutilizzarlo. La maggior parte degli incidenti sono causati da una scarsa manutenzione.
 - Mantenere le lame pulite e affilate. Gli utensili da taglio tenuti in buone condizioni operative e con i bordi taglienti affilati sono meno soggetti a bloccarsi e più facili da controllare.
 - Utilizzare l'elettrooutensile e tutti i componenti e gli accessori in conformità con le istruzioni di questo manuale e nella maniera prevista per ciascun tipo di utensile, tenendo conto delle condizioni lavorative e del compito da eseguire. L'utilizzo degli elettrooutensili per fini diversi da quelli previsti rappresenta un rischio per le persone.
 - Tenere asciutte le maniglie e le impugnature, e fare in modo che siano pulite e senza olio né grasso. Le impugnature e le superfici di presa scivolose non consentono una gestione e un controllo sicuri dell'apparecchiatura in condizioni impreviste.
- ### 5) Assistenza
- Qualsiasi intervento sull'elettrooutensile deve essere eseguito da personale qualificato utilizzando unicamente pezzi di ricambio compatibili e approvati. Ciò garantisce la sicurezza dell'elettrooutensile.

Informazioni di sicurezza aggiuntive per le fresatrici

AVVERTENZA

- **Afferare il dispositivo unicamente per le superfici di impugnatura isolate, dato che la fresa potrebbe entrare in contatto col cavo di alimentazione.** Tagliare un cavo "sotto tensione" può esporre le componenti metalliche del dispositivo "sotto tensione", e potrebbe dunque trasmettere una scossa elettrica all'operatore.
- **Usare delle morse o altri metodi pratici per bloccare il pezzo da sottoporre a lavorazione su una superficie stabile.** Tenendo il pezzo in mano o appoggiato contro il corpo lo si rende instabile, e ciò potrebbe portare a una perdita di controllo del dispositivo stesso.
- **Se è necessaria la sostituzione del cavo di alimentazione, questo deve essere fatto dal produttore o dal suo agente al fine di evitare rischi per la sicurezza.**
- **Si raccomanda di alimentare l'utensile con un dispositivo a corrente residua con una corrente nominale di 30 mA o inferiore.**
 - a) **Servirsi di dispositivi di sicurezza, compresi occhiali o protezioni, protezioni per le orecchie, maschere anti-polvere e indumenti protettivi, compresi guanti di sicurezza,**
 - b) **Indumenti, cavi, lacci, ecc. non vanno mai lasciati nelle immediate vicinanze dell'area di lavoro.**
 - c) **Verificare che la tensione di alimentazione corrisponda alle specifiche del dispositivo.**
 - d) **Verificare che le eventuali prolunge usate col dispositivo siano in condizioni elettriche sicure, e che dispongano dell'ampérage adeguato per il dispositivo.**
 - e) **Svolgere completamente le prolunge per evitare potenziale surriscaldamento**
 - f) **Servirsi di rilevatori adeguati per capire se sotto alla superficie di lavoro vi sono linee elettriche, o tubazioni.** *Ove necessario, rivolgersi alle aziende di competenza per ricevere ulteriori informazioni in merito. Il contatto coi cavi elettrici può portare a scosse elettriche e incendio. Danneggiare una linea del gas può portare a un'esplosione. Il contatto con le linee idriche può portare a gravi danni a oggetti*
 - g) **Verificare che gli oggetti integrati quali ad esempio chiodi e viti siano stati rimossi dal pezzo da sottoporre a lavorazione prima di mettersi al lavoro**
 - h) **T trattare le frese con estrema cura dato che possono essere molto affilate**
 - i) **Prima dell'uso, controllare con attenzione la fresa al fine di verificare la presenza di segni di danno o usura.** *Sostituire immediatamente i codoli danneggiati o rotti*
 - j) **Verificare che la fresa/i codoli della fresa siano affilati e sottoposti ad adeguata manutenzione.** *Le estremità taglienti spuntate possono portare a perdita di controllo del dispositivo, compreso stallo, aumento del calore e possibili lesioni*
 - k) **Usare SEMPRE entrambe le impugnature e tenere saldamente la fresatrice prima di procedere con altri lavori**
 - l) **Tenere asciutte, pulite e senza olio e grasso le maniglie e le superfici dell'impugnatura, al fine di garantire che il dispositivo possa essere tenuto saldamente in fase di utilizzo.**
 - m) **Prima di usare il dispositivo per eseguire un taglio, accenderlo e lasciarlo funzionare per un po' di tempo.** *Le vibrazioni potrebbero indicare la presenza di una fresa non installata in modo adeguato.*
 - n) **Fare attenzione alla direzione di rotazione della punta nonché alla direzione di alimentazione**
 - o) **Tenere le mani lontane dell'area di fresatura e dalla fresa. Tenere la maniglia ausiliaria o una superficie di taglio isolata con la seconda mano.**
 - p) **Non avviare MAI la fresatrice quando la fresa sta toccando il pezzo sottoposto a lavorazione**
 - q) **Verificare che la molla di immersione sia sempre inserita quando il dispositivo viene usato in modalità manuale**
 - r) **Verificare che la fresa si sia completamente fermata prima di passare all'immersione dell'anello metallico in posizione di blocco**
 - s) **La velocità massima della fresa deve essere almeno altrettanto alta quanto la velocità massima del dispositivo alimentato a corrente**
 - t) **Alcune parti della fresa si potrebbero riscaldare in fase di utilizzo.** *Non toccare immediatamente dopo l'uso per evitare il rischio di ustioni*
 - u) **Non lasciare che le componenti entrino in contatto con materiali combustibili**
 - v) **Le dimensioni del codolo della fresa devono corrispondere alle dimensioni esatte della ghiera con pinza installata nella fresatrice.** *Le frese inserite in modo errato ruoteranno in modo irregolare, portando un aumento delle vibrazioni. Ci potrebbe anche causare a una perdita di controllo del dispositivo.*
 - w) **NON premere il pulsante di blocco dell'albero o cercare di portare il dispositivo in modalità sostituzione fresa mentre la fresatrice è in funzione.**
 - x) **Mantenere una pressione costante in fase di taglio del pezzo sottoposto a lavorazione, lasciando che sia la fresa della fresatrice a determinare la velocità di taglio.** *NON forzare il dispositivo e non sovraccaricare il motore.*
 - y) **Verificare che le targhette e le avvertenze di sicurezza sul dispositivo restino facilmente accessibili.** *Provvedere alla loro sostituzione qualora siano rovinate o danneggiate*
 - z) **In fase di funzionamento della fresatrice, prepararsi al fatto che la fresa della fresatrice rimanga in stallo sul pezzo da lavorare causando perdita di controllo.**

Accertarsi sempre di impugnare saldamente la fresatrice e che in casi di questo tipo l'interruttore on/off venga rilasciato immediatamente

- **Dopo aver acceso la fresatrice, verificare che la fresa stia ruotando in modo uniforme (senza oscillare) e che non vi siano vibrazioni aggiuntive legate al fatto che la fresa non è stata installata correttamente.** L'uso della fresatrice con una fresa inserita in modo errato può portare a una perdita di controllo nonché a gravi lesioni
- **Prestare ESTREMA attenzione quando vengono usate frese con un diametro superiore ai 50 mm (2").** Usare velocità di alimentazione molto basse e/o più tagli poco profondi per evitare di sovraccaricare il motore
- **Spegnere SEMPRE e aspettare che la fresa sia completamente ferma prima di togliere la macchina dal pezzo sottoposto a lavorazione**
- **Scollare dall'alimentazione prima di eseguire eventuali regolazioni, interventi di assistenza o manutenzione**
- **Anche se usato come prescritto non è possibile eliminare tutti i fattori di rischio.** Evitare di utilizzare il prodotto in caso di dubbi o incertezze sulle corrette modalità di utilizzo.

AVVERTENZA: La polvere generata dall'uso di dispositivi alimentati a corrente può essere tossica. Alcuni materiali potrebbero essere trattati chimicamente o rivestiti e presentare un rischio di tossicità. Alcuni materiali naturali e composti potrebbero contenere sostanze chimiche tossiche. Alcune vernici meno recenti possono contenere piombo e altre sostanze chimiche. Evitare l'esposizione prolungata alla polvere generata dall'uso di una fresatrice. NON consentire alla polvere di depositarsi sulla pelle o sugli occhi e non consentire alla polvere di entrare nella bocca, al fine di evitare l'assorbimento di sostanze chimiche pericolose. Ove possibile, lavorare in una zona ben ventilata. Usare una maschera anti-polvere adeguata e un sistema di estrazione della polvere, ove possibile. In caso di frequenze di esposizione più elevate, è ancora più importante attenersi a tutte le precauzioni di sicurezza nonché all'uso di un livello superiore di protezione personale.

Familiarizzazione con il prodotto

1. Torretta di regolazione profondità
2. Mandrino
3. Asta di profondità
4. Prese d'aria laterali
5. Manopola di blocco profondità
6. Motore
7. Copri-interruttore retrattile
8. Interruttore di alimentazione On/Off
9. Coperchi sostituzione spazzone
10. Regolatore alettronico della velocità
11. Leva di blocco affondo
12. Protezioni di sicurezza
13. Pemi a innesto rapido per guida multifunzione
14. Giunto per manovella di microregolazione
15. Bocchettone aspirazione
16. Blocco mandrino automatico
17. Anello di blocco impugnatura girevole
18. Pulsante di selezione affondo
19. Impugnatura girevole
20. Manopola di microregolazione
21. Coperchio molla di affondo
22. Sede chiave di bypass NVR (No Voltage Release)
23. Guida di battuta
24. Ghiera con pinza (x 2)
25. Manovella di microregolazione
26. Chiave di serraggio
27. Perno per taglio circolare
28. Guida multifunzione
29. Chiave di bypass NVR (No Voltage Release)
30. Viti (¼ UNC x 4) per fissaaggio su tavoli CMT (Ricambio: 990.467.00)

Figura II

- A. ¼ UNC x 4
- B. M6 x 3
- C. Sede manovella di microregolazione

Usò previsto

Fresatrice di precisione manuale a immersione da usare con frese con codolo fino a 1/2" e 12 mm (a seconda della ghiera con pinza installata). Usata per tagliare, scanalare, bordare e forare su legno naturale e composito. Utilizzabile anche con boccole di guida e dime. Adatta all'installazione stazionaria su banchi fresa compatibili.

Deve essere utilizzata SOLO per lo scopo previsto. Qualsiasi uso diverso da quelli menzionati in questo manuale sarà considerato un caso di uso improprio. L'utente, e non il produttore, sarà responsabile per eventuali danni o lesioni derivanti da tali casi di uso improprio. Il produttore non sarà responsabile per eventuali modifiche apportate allo strumento nè per eventuali danni derivanti da tali modifiche.

Disimballaggio della fresatrice

- Disimballare e ispezionare l'utensile. Familiarizzare completamente con tutte le sue caratteristiche e funzioni
- Assicurarsi che tutte le parti dell'elettrotensile siano presenti e in buone condizioni. In caso di parti mancanti o danneggiate, sostituire tali parti prima di utilizzare questo utensile

Prima dell'uso

AVVERTENZA: Verificare che il dispositivo sia scollegato dalla presa di corrente prima di fissare o sostituire eventuali accessori o eseguire eventuali regolazioni.

AVVERTENZA: Periodicamente, durante l'uso prolungato o quando la fresatrice stata trasportata o è caduta, controllare che il tappo di accesso alla molla di affondo (21) sia correttamente posizionato e fissato in posizione. Dovrebbe essere parallelo al corpo dell'utensile senza alcuno spazio visibile, e la vite di fissaggio dovrebbe essere posizionata correttamente per evitare che il tappo di accesso alla molla di affondo si sviti accidentalmente, vedi immagine O. La molla di affondo è tesa con una forza sufficiente a causare gravi lesioni se rilasciata in modo incontrollato. Seguire sempre attentamente le istruzioni quando si rimuove e si sostituisce la molla di affondo.

Installazione della ghiera con pinza e della fresa

Nota: Indossare guanti protettivi in fase di inserimento e rimozione di frese in quanto queste possono essere molto affilate.

- Collocare la fresatrice capovolta su una superficie piana sicura, col Motore (6) completamente fermo e il cavo di corrente non inserito nella presa di alimentazione.
- Spingere la fresatrice fino alla sua profondità massima premendo l'anello di blocco impugnatura girevole (17) (Immagine B) verso l'interno, e ruotando l'impugnatura girevole (19) in senso orario fino a che la ghiera con pinza (24) non sporga rispetto alla base.

Nota: Verificare che l'asta di profondità (3) sia completamente ritratta (rif. "blocco profondità e torretta di regolazione profondità"). La ghiera con pinza dovrebbe sporgere dalla base, consentendo così un facile accesso della chiave.

- Servendosi della Chiave (26) fornita in dotazione, allentare la ghiera con pinza in senso anti-orario fino alla sua completa rimozione.
- Selezionare la ghiera con pinza desiderata e inserirla all'interno del Mandrino (2) avvitandola in senso orario
- Inserire la fresa nella ghiera con pinza verificando che almeno 20mm o 3/4 del codolo (optare per la dimensione maggiore) venga inserito all'interno della pinza, quindi usare la Chiave per ruotare leggermente la ghiera, consentendo così l'innesto (Immagine C). Dopo l'innesto, ruotare la chiave in senso orario per serrare la fresa
- Ripartire la fresatrice alla normale profondità di funzionamento. In questo modo il blocco mandrino automatico (16) verrà disinnestato e si rilascerà l'interruttore retrattile; sarà dunque possibile accedere all'interruttore On/Off (8)

Bocchettone aspirazione

Nota: La fresatrice CMT7E è dotata di un bocchettone d'aspirazione (15) per eliminare le polveri e i trucioli dalla parte superiore della zona di taglio. Si possono utilizzare tubi da 38mm (1-1/2) con filettatura sinistra (senso antiorario) (Immagine D).

- Le viti del tubo in posizione tramite una filettatura sinistra (senso antiorario) (Immagine D).

Installazione della guida multifunzione

- Localizzare i due perni a innesto rapido per guida multifunzione (13) e allentarli completamente. In questo modo i perni si innesteranno nei fori di fissaggio sulla guida multifunzione (28).
- Capovolgere sia la fresatrice che la guida multifunzione
- Premere i perni ad innesto rapido presenti sulla fresatrice fino a farli uscire.
- Allineare i perni a innesto rapido coi fori di fissaggio della guida multifunzione, quindi farli scorrere negli appositi alloggiamenti (Immagine K).

Nota: L'orientamento della guida multifunzione dipende dal lato in cui è richiesto il supporto. Per lavorazioni lungo i bordi posizionare l'interruttore On/Off (8) sul lato corto della guida multifunzione (Immagine J).

- Serrare saldamente i perni a innesto rapido sulla fresatrice
- Per installare la guida di battuta (23) allentare i perni presenti su quest'ultima e far scorrere la guida di battuta sui binari della guida multifunzione (Immagine L). Bloccare nel punto richiesto serrando entrambi i perni.

Nota: Quando si effettuano lavorazioni lontano dai bordi, inserire la guida di battuta sull'estremità della guida multifunzione.

Nota: Quando si lavora sui bordi con una fresa senza cuscinetto, inserire la guida di battuta sul lato della guida multifunzione (Immagine J)..

Nota: Qualora venga usata una fresa di grandi dimensioni, potrebbe essere necessario fissare dei blocchi in legno ai lati della guida di battuta, tramite i fori per le viti già presenti, al fine di garantire che la fresa non entri in contatto con la guida stessa.

Funzionamento

AVVERTENZA: Indossare SEMPRE la protezione per gli occhi, protezioni per il sistema respiratorio e l'udito e anche guanti adatti quando si utilizza questo strumento.

Accensione e spegnimento

Nota: Quando la fresatrice viene collegata alla sorgente di alimentazione, l'interruttore On/Off (8) si illumina, sia in posizione "On" che in posizione "Off".

Nota: Il Copri-interruttore retrattile (7) impedisce l'avvio accidentale della fresatrice. Dovrà essere aperto prima di accendere la fresatrice. Il Copri-interruttore retrattile resterà aperto fino a che la fresatrice non viene spenta.

- Verificare che la fresatrice sia all'estensione massima del suo affondamento e che la fresa non entri in contatto con oggetti estranei quando verrà azionata
- Collegare il cavo di alimentazione alla presa di corrente, e far scorrere indietro il Copri-interruttore retrattile fino a mostrare l'interruttore di alimentazione On/Off.
- Premere l'interruttore di alimentazione On/Off fino a portarlo in posizione "I" per accendere la fresatrice. Mentre l'interruttore di alimentazione On/Off si trova in questa posizione, il Copri-interruttore retrattile non potrà coprire nuovamente l'interruttore di alimentazione On/Off
- Per spegnere, premere l'interruttore On/Off fino a portarlo in posizione "O". Il Copri-interruttore retrattile tornerà alla sua posizione originale.

Regolatore elettronico della velocità

Nota: Generalmente, si dovrebbe usare la velocità più alta che non causi problemi sul pezzo da sottoporre a lavorazione. Ove indicato, attenersi alle indicazioni sulla velocità massima consentita fornite dal produttore dell'utensile.

- Lavorare a velocità ridotte aumenta il rischio di danni alla fresa che potrebbero emergere in seguito ad un sforzo eccessivo, per questo è necessario usare velocità di avanzamento molto basse e/o tagli multipli poco profondi.
- Il regolatore elettronico della velocità (10) è contrassegnato da 1 a 5, il che corrisponde indicativamente alle velocità e ai diametri di fresa di seguito indicati. Ruotare il selettore per impostare la velocità richiesta

Impostazione	giri/min.	Diametro della fresa
5	21.000	Fino a 25 mm (1")
4	18.000	25 - 50 mm (1" - 2")
3	14.500	50 - 65 mm (2" - 2-1/2")
2	11.000	Fino a 65 mm (2-1/2")
1	8.000	Utilizzare solo se brucia

Regolazione della profondità di taglio

IMPORTANTE:

SE NON SI SEGUONO QUESTE ISTRUZIONI, IL VOSTRO MECCANISMO DI AFFONDO SI DANNEGGERÀ.

Assicurarsi SEMPRE che la leva di blocco affondo (11) sia sbloccata, impostandola nella posizione più alta (vedi immagine sotto), prima di regolare la profondità di taglio usando i metodi "Affondo libero" o "Regolazione dell'impugnatura girevole".



Nota: Per bloccare la fresatrice a una data profondità di taglio, premere la fresatrice verso il basso e ruotare la leva di blocco affondo (11) nella sua posizione più bassa (vedi immagine sopra). Ciò terrà la fresatrice ferma in posizione..

· Ci sono tre metodi di regolazione della profondità di taglio, a seconda del livello di precisione e di controllo richiesti:

Affondo libero

1. La regolazione della profondità di affondamento a mano libera può essere effettuata con il pulsante di selezione affondo (18) premuto. Premere il pulsante di selezione affondo all'interno dell'impugnatura girevole finché non scatta verso l'interno e attiva la modalità ad affondo libero (Immagine A)
2. **Sbloccare la leva di blocco affondo (11)** e spingere il corpo della fresatrice fino a raggiungere la profondità richiesta, quindi bloccare nuovamente la leva di blocco affondo

Regolazione dell'impugnatura girevole

1. Le regolazioni della profondità di affondo possono essere fatte ruotando l'impugnatura girevole (19)
2. Disinserire il pulsante di selezione affondo (18) e verificare che il tasto scorra bene all'interno dell'impugnatura girevole
3. Tirare l'anello di blocco impugnatura girevole (17) verso l'interno della stessa (Immagine B)
4. **Sbloccare la leva di blocco affondo (11)** e ruotare l'impugnatura girevole fino a raggiungere la profondità di taglio desiderata. Rilasciare l'anello di blocco impugnatura girevole e bloccare la leva di blocco affondo

Micro regolazione

Nota: Da usare solo nella modalità di affondo con impugnatura girevole (19).

1. Disinserire il tasto di selezione della modalità di affondo (18) **accertarsi che la leva di blocco affondo (11) sia sbloccata.**

Nota: Se la manopola di micro regolazione (20) viene girata con la leva di blocco affondo inserita, questa farà un clic e/o inizierà ad andare a vuoto e la profondità di taglio resterà invariata.

2. Girare la manopola di micro regolazione in senso orario per aumentare la profondità di taglio e in senso antiorario per ridurla. Regolare la profondità di taglio fino a raggiungere l'altezza desiderata.

Nota: Quando si raggiunge la fine dell'intervallo di regolazione della profondità, la manopola di micro regolazione diventerà molto più dura da girare e inizierà a fare clic e/o andare a vuoto.

3. Innestare la leva di blocco affondo, in particolare per i tagli più impegnativi

Blocco profondità e torretta di regolazione profondità

1. L'asta di profondità (3) e la Torretta di regolazione profondità (1) sono usate nella modalità di affondo a mano libera per settare accuratamente tre diverse profondità di taglio
2. Allentare la Manopola di blocco profondità (5) e alzare completamente l'asta di profondità, quindi serrare nuovamente la manopola (Immagine F)
3. Impostare i 3 perni della torretta sulle profondità di affondo desiderate, servendosi delle scale presenti (Immagine G)

Nota: Per selezionare i perni della torretta, ruotare tutto il gruppo torretta fino ad allinearli con l'asta di profondità.

4. Con la fresa installata sulla ghiera con pinza (24), regolare la profondità di affondo fino a che la punta della fresa non tocca il pezzo da lavorare.
5. Ruotare la torretta di regolazione profondità fino a che il perno fisso non si trova in linea con l'asta di profondità. Rilasciare l'asta, consentendogli di posizionarsi sul perno, quindi serrare nuovamente la Manopola di blocco profondità. Ora la profondità di affondo è impostata su zero.
6. Ruotare i blocchi torretta fino a che quello con la profondità di affondo desiderata non sarà allineato con l'asta di profondità

Eseguire un taglio

Nota: NON usare mai la fresatrice a mano libera senza avere una guida. La guida può essere fornita da una fresa con cuscinetto, da una guida fornita in dotazione o da un bordo dritto (Immagine I).

1. Tenere sempre la fresatrice con entrambe le mani servendosi delle impugnature presenti. Accertarsi che il pezzo da sottoporre a lavorazione non si muova. Ove possibile, servire di morse per bloccarlo.
2. Consentire al motore di raggiungere la velocità di funzionamento massima.
3. Abbassare la fresa sul pezzo da lavorare spostando lentamente la fresatrice, tenendo la base ben appoggiata contro il pezzo.
4. Qualora si stiano lavorando dei bordi, il pezzo da lavorare dovrà trovarsi sul lato sinistro rispetto alla direzione di taglio (Fig. I). Mantenere la pressione costante e consentire alla fresa di lavorare in modo stabile lungo il materiale. Attenzione: i nodi e altre variazioni del legno rallenteranno la velocità di avanzamento.

Nota: Per evitare le vibrazioni della fresa, effettuare il taglio in senso anti-orario per i tagli esterni e in senso orario per i tagli interni (Fig. I).

Nota: Uno spostamento troppo rapido della fresatrice potrebbe causare finiture poco curate oltre che un sovraccarico del Motore (6). Uno spostamento troppo lento della fresa può causare il surriscaldamento del pezzo da lavorare.

Nota: Il normale funzionamento della fresatrice prevede l'affondo della fresa dopo l'accensione del dispositivo

Nota: Non usare la fresatrice al contrario a meno che non sia saldamente montata su un apposito banco dotato delle protezioni adeguate.

Esecuzione di tagli con più passaggi

1. La torretta di regolazione profondità (1) consente di ottenere la profondità di taglio massima in un numero di passate determinate dall'operatore. Ogni passata può essere pre-impostata regolando la rotella sui perni della torretta.
2. Ruotare la torretta in modo tale che l'asta di profondità (3) tocchi il perno settato più in alto quando la fresatrice inizierà il processo di lavorazione. Sarà ora possibile eseguire la prima passata di taglio.
3. Continuare a eseguire passate ruotando la torretta e regolando la profondità dei perni torretta per ogni passata, fino a quando non sarà stata raggiunta la piena profondità di taglio.

Taglio circolare

1. Montare la guida multifunzione (28) senza la guida di battuta (23) sulla fresatrice.
 2. Rimuovere il perno per taglio circolare (27) dalla guida multifunzione e fissarlo al centro del pezzo da lavorare con un chiodo o una vite da inserire nell'apposito foro presente (Immagine M).
 3. Posizionare la fresatrice con la guida multifunzione sul perno, rimontare la rosetta e il dado ad alette (Immagine N).
 4. Con l'interruttore di accensione spento "Off", ruotare la fresatrice sul percorso previsto, controllando le dimensioni del cerchio per effettuare le necessarie correzioni.
 5. Effettuare diversi passaggi per fare il cerchio, aumentando la profondità di taglio, per esempio di 2 mm (3/32") ad ogni passata (Immagine N). Non cercare di tagliare a fondo con un solo passaggio.
- Taglio passante: per tagliare il materiale da parte a parte, fissare un pezzo di materiale di scarto sotto il pezzo da lavorare

Uso come utensile da banco

Nota: L'installazione e l'uso della fresatrice sull'apposito tavolo da lavoro dovrebbe essere eseguito in conformità col materiale informativo fornito in dotazione con la fresatrice.

Nota: Anche se questo prodotto è stato progettato per il funzionamento efficiente e pratico sulla maggior parte dei banchi per fresatrice, è particolarmente adatto all'uso con i tavoli CMT.

Nota: Le regolazioni della fresatrice sono estremamente facili servendosi delle funzioni uniche precedentemente descritte all'interno del presente manuale. Rif. "Installazione della ghiera con pinza e della fresa" e "Regolazione della profondità di taglio".

IMPORTANTE: È NECESSARIO rimuovere la molla di affondo prima di montare la fresatrice in un banco fresa:

1. Impostare la fresatrice sul valore più alto di affondo e bloccare la leva di blocco affondo (11).
2. Rimuovere la vite vicino al coperchio della molla di affondo (21) di alcuni giri (Immagine O)
3. Usando il palmo della mano, applicare una pressione verso il basso sul coperchio della molla di affondo e con l'altra mano afferrare saldamente il cappuccio della molla per evitare che la molla scatti verso l'alto quando viene rilasciato. Mantenendo la pressione verso il basso e una presa salda, ruotate il tappo della molla di affondo in senso antiorario per rimuoverlo (Immagine P)

AVVERTENZA: La molla di affondo è caricata con grande forza per permettere un'azione di affondo regolare. Il tappo e la molla scattano rapidamente verso l'alto una volta che è stato svitato. Fate attenzione a non rilasciare il tappo della molla in modo incontrollato che potrebbe causare lesioni personali.

4. Lasciare lentamente che il tappo della molla di affondo si sollevi verso l'alto una volta svitato (Immagine Q)
5. Rimuovere la molla e conservarla in un luogo sicuro
6. Rimettere a posto il coperchio e stringere nuovamente la vite

AVVERTENZA: Quando si reinserisce la molla di affondo, controllare attentamente che il tappo della molla sia fissato correttamente. Dovrebbe essere parallelo al corpo della fresatrice senza alcuno spazio visibile, e la vite di fissaggio dovrebbe essere posizionata correttamente per evitare che il tappo della molla si sviti accidentalmente.

NOTA: Accertarsi che la molla di affondo sia sempre montata prima di usare l'utensile a mano libera

IMPORTANTE: Prima di montare la fresatrice sotto il tavolo di lavoro, assicurarsi che la manopola di blocco profondità (5) sia allentata e che la leva di blocco affondo (11) sia sbloccata.

- La manovella di microregolazione (25) si innesta con il giunto di micro regolazione (14) per una regolazione facile e veloce da sopra al banco quando la fresatrice è installata su un tavolo da lavoro.

Installazione del tasto di bypass NVR (No Voltage Release)

La fresatrice CMT7E ha una funzione No Voltage Release (NVR), ovvero un interruttore di rilascio in mancanza di corrente, che impedisce il riavvio automatico del motore dopo un'interruzione di corrente. Per riaccendere la fresatrice, l'interruttore deve essere riportato in posizione OFF prima di riaccenderlo. Quando si utilizza un tavolo da lavoro CMT o un tavolo fresatrice di terzi, che ha la propria protezione NVR, come il comando elettrico di sicurezza CMT (999.100.11), questa funzione può essere bypassata inserendo la chiave di bypass NVR (29). In questo modo il funzionamento ON/OFF della fresatrice può essere controllato dall'interruttore ON/OFF del tavolo da lavoro.

1. Avvitare la chiave di bypass NVR nella propria sede (22) e stringere delicatamente a mano (immagine T)
2. Fissare la staffa sotto il tavolo di lavoro (immagine U) con una vite
3. Accendere la fresatrice utilizzando l'interruttore ON/OFF del tavolo di lavoro

AVVERTENZA: Utilizzare il tasto di bypass NVR SOLO quando la fresatrice è collegata a una fonte di alimentazione a sua volta protetta da un sistema di protezione contro il rilascio di tensione, come il comando elettrico di sicurezza CMT (999.100.11). Assicurarsi SEMPRE che la staffa sia collegata al tavolo di lavoro per evitare di rimuovere accidentalmente la fresatrice senza rimuovere la chiave di bypass NVR.

Importante

1. Per montare la fresatrice sui tavoli CMT, di altri produttori o su strutture realizzate autonomamente, togliere le 4 viti della base indicate nell'immagine S e togliere la piastra nera.
2. Sono presenti 2 set di filettature (come indicato nella Fig. II):
 - A: 4 filettature ¼ UNC (usate per fissare la base nera) che sono al tempo stesso utilizzate per il montaggio sui tavoli di lavoro CMT.
 - B: set di 3 filetti M6 (B)
3. Utilizzare le 4 viti in dotazione (30) per installare la fresatrice sui tavoli di lavoro CMT

Nota: Le filettature M6 non erano disponibili sulle versioni precedenti della CMT7E (2022).

Accessori

Un'ampia gamma di accessori e ricambi per questo dispositivo sono disponibili dal proprio rivenditore CMT, quali:

- Un'ampia selezione di frese/punte.
- Basi preforate (immagine H) per accessori CMT
- Boccole di Guida
- Ghiere con Pinze
- Spazzole di carbonio

Manutenzione

AVVERTENZA: Scollegare SEMPRE dalla corrente prima di eseguire eventuali interventi di ispezione, manutenzione o pulizia.

Ispezione generale

- Controllare regolarmente che tutte le viti di fissaggio siano ben salde
- Prima di ogni utilizzo, controllare che il cavo di alimentazione ed eventuali prolunghe non presentino danni o segni di usura.
- Le riparazioni devono essere eseguite da un centro assistenza autorizzato CMT.

Pulizia

- **AVVERTENZA:** Indossare SEMPRE dispositivi di protezione, inclusa una protezione per gli occhi e dei guanti quando si pulisce l'utensile.
- Mantenere l'utensile sempre pulito. Lo sporco e la polvere potrebbero logorare velocemente le parti interne e ridurre la durata di vita della macchina
- Pulire il corpo della macchina con una spazzola morbida o un panno asciutto
- Non utilizzare mai agenti caustici per pulire le parti in plastica. Se la pulizia a secco non dovesse essere sufficiente, utilizzare un detergente delicato su un panno umido
- L'utensile non deve mai entrare in contatto con l'acqua
- Assicurarsi del fatto che l'elettrotensile sia completamente asciutto prima di utilizzarlo
- Ove possibile, pulire l'elettrotensile usando aria compressa tramite i fori di ventilazione

Lubrificazione

- Lubrificare leggermente tutte le parti mobili ad intervalli regolari con un lubrificante spray adatto

Spazzole

- Nel corso del tempo le spazzole di carbonio all'interno del Motore (6) si potrebbero usurare
- Delle spazzole eccessivamente usurate possono causare perdita di corrente, funzionamento a intermittenza o scintille visibili a occhio nudo
- Per sostituire le spazzole, togliere i due Coperchi (9). Estrarre con attenzione le spazzole consumate (Immagine R) e verificare che gli attacchi siano puliti. Sostituire con attenzione, montando spazzole nuove, quindi sostituire i Coperchi.
- Al termine dell'operazione di inserimento, far funzionare la fresatrice a vuoto per 2-3 minuti per consentire alle spazzole di fissarsi adeguatamente in posizione. Il processo di fissaggio delle spazzole potrebbe durare per alcuni utilizzi. Potrebbero fuoriuscire delle scintille dal motore fino a che le nuove spazzole in carbonio non saranno perfettamente posizionate.
- In alternativa, rivolgersi a un centro assistenza autorizzato per sottoporre la macchina a manutenzione.

Contatti

Per consigli tecnici e per eventuali riparazioni, si prega di contattare il proprio rivenditore.

Pagina web: www.cmtorangetools.com

Conservazione

- Conservare questo elettrotensile con cura in un luogo sicuro, asciutto e lontano dalla portata dei bambini

Smaltimento

Rispettare sempre le normative nazionali per lo smaltimento di elettrotensili che non sono più funzionali e non sono atti alla riparazione.

- Non gettare utensili elettrici o apparecchiature elettriche ed elettroniche (RAEE) con i rifiuti domestici
- Contattare l'autorità locale di smaltimento rifiuti per informazioni sul modo corretto di smaltire gli utensili elettrici

Risoluzione dei problemi

Problema	Possibile Causa	Soluzione
Nessun funzionamento quando viene premuto l'interruttore On/Off (8)	Assenza di alimentazione	Controllare la sorgente di alimentazione.
	Interruttore On/Off difettoso	Far sostituire l'interruttore On/Off in un centro di assistenza CMT autorizzato.
Profondità di taglio non corretta	Asta di profondità (3) non regolata correttamente	Verificare che l'asta di profondità corrisponda al taglio massimo consentito .
	Fresa inserita in modo errato o ghiera con pinza non serrata correttamente (24)	Serrare la ghiera con pinza e/o verificare l'inserimento della fresa.
La fresatrice non funziona	Assenza di alimentazione	Verificare che la fonte di alimentazione sia disponibile.
	Spazzole usurate o danneggiate	Scollegare l'alimentazione, aprire i Coperchi di accesso alla spazzola (9) e verificare che le spazzole non siano danneggiate o gravemente usurate.
	L'interruttore è guasto	Rivolgersi a un centro assistenza autorizzato CMT per intervenire sul dispositivo.
	Componenti del motore guaste o in corto circuito	
La fresatrice sforza o taglia lentamente	Fresa non affilata o danneggiata	Affilare nuovamente o sostituire la fresa.
	Controller di velocità (10) impostato al minimo	Aumentare l'impostazione della velocità variabile.
	Il motore è sovraccarico	Ridurre la forza di pressione sulla fresatrice.
Vibrazioni eccessive	Fresa inserita in modo errato o ghiera con pinza allentata	Inserire o serrare nuovamente la fresa.
	Fresa piegata o danneggiata	Sostituire la fresa.
Eccessive scintille all'interno dell'alloggiamento del motore	Le spazzole non si muovono liberamente	Scollegare l'alimentazione, togliere le spazzole, pulire o sostituire.
	Motore danneggiato o usurato	Rivolgersi a un centro assistenza autorizzato CMT per intervenire sul dispositivo.
La Micro-Regolazione (20) "scatta" o non si fissa in posizione	Leva di blocco affondo (11) innestata	Rilasciare la Leva di blocco affondo.
	È stata raggiunta la fine dell'impostazione di regolazione	Resettare la micro regolazione e impostare la profondità con l'asta di profondità (3).
Emette un rumore strano	Ostruzione meccanica	Rivolgersi a un centro assistenza autorizzato CMT per intervenire sul dispositivo.
	Danni agli avvolgimenti interni	

Übersetzung der Originalbetriebsanleitung

Einführung

Vielen Dank, dass Sie sich für dieses CMT-Werkzeug entschieden haben. Dieses Produkt verfügt über einzigartige Funktionen. Die vorliegende Anleitung enthält wichtige Informationen für das sichere und effektive Arbeiten mit diesem Produkt. Selbst wenn Sie bereits mit ähnlichen Produkten vertraut sind, lesen Sie diese Anleitung bitte sorgfältig durch, um den größtmöglichen Nutzen aus diesem Werkzeug ziehen zu können. Stellen Sie sicher, dass alle Benutzer diese Bedienungsanleitung vollständig gelesen und verstanden haben. Bewahren Sie diese Anleitung für zukünftiges Nachschlagen mit dem Gerät auf.

Symbolerklärung

Auf dem Typenschild des Werkzeugs sind möglicherweise Symbole abgebildet. Sie vermitteln wichtige Informationen über das Produkt oder dienen als Gebrauchsanweisung.



Gehörschutz tragen
Augenschutz tragen
Atemschutz tragen
Kopfschutz tragen



Schutzhandschuhe tragen



WARNUNG! Um die Verletzungsgefahr zu reduzieren, muss der Benutzer die Bedienungsanleitung lesen.



Achtung, Gefahr!



WARNUNG! Scharfe Sägeblätter/-zähnel



Nicht im Regen oder in feuchter Umgebung verwenden!



Vor Einstellungsänderungen, Zubehörwechseln, Reinigungs- und Instandhaltungsarbeiten sowie bei Nichtgebrauch stets von der Spannungsversorgung trennen!



Staubabzug benötigt



Schutzklasse II (doppelt isoliert)



Umweltschutz Elektroaltgeräte dürfen nicht über den Hausmüll entsorgt werden. Nach Möglichkeit bitte über entsprechende Einrichtungen entsorgen. Lassen Sie sich bezüglich der sachgemäßen Entsorgung von Elektrowerkzeugen von der zuständigen Behörde oder dem Händler beraten.



Erfüllt die einschlägigen Rechtsvorschriften und Sicherheitsnormen

Verzeichnis der technischen Symbole und Abkürzungen

V	Volt
~	Wechselspannung
A	Ampere
n ₀	Leerlaufdrehzahl
Hz	Hertz
W, kW	Watt, Kilowatt
min ⁻¹	(Umdrehungen) pro Minute

Technische Daten

Modellbezeichnung:	CMT7E
Spannung:	220-240 V~, 50/60 Hz
Max. Aufnahmeleistung:	9,1 A
Max. Ausgangsleistung:	Leistung: 2400 W, (3,25 Spitzen-PS)
Leerlaufdrehzahl:	8.000 - 21.000 min ⁻¹
Spannzangen:	8 und 12 mm
Max. Fräserdurchmesser (Freies Eintauchen):	55 mm (2-3/16 Zoll)
Max. Spannzangengröße:	½ Zoll (RUS: 12,7 mm)
Tiefeneinstellungen:	1) Freies Eintauchen 2) Drehgriffregelung 3) Feinjustierung
Eintauchtiefenbereich:	0-68 mm
Schutzart:	IPX0
Schutzklasse:	
Netzkabellänge:	3 m
Abmessungen (L x H x B):	180 x 310 x 300 mm
Gerätgewicht:	6,5 kg
Aufgrund der ständigen Weiterentwicklung unserer Produkte kann CMT die technischen Daten ohne Vorankündigung ändern.	
Geräusch- und Vibrationsinformationen	
Schallleistungspegel L_{WA}:	84,2 dB(A)
Schalleistungspegel L_{WA}:	95,2 dB(A)
Unsicherheit K:	3 dB(A)
Hand-Arm-Vibration a_h:	5,4 m/s ²
Unsicherheit K:	1,5 m/s ²

Der Schallintensitätspegel kann für den Bediener 85 dB(A) übersteigen und Lärm Schutzmaßnahmen sind notwendig.

⚠️ WARNUNG! Tragen Sie in Bereichen, in denen der Lärmpegel 85 dB(A) überschreitet, unbedingt angemessenen Gehörschutz und begrenzen Sie nach Möglichkeit die Belastungsdauer. Sollte trotz Gehörschutz Unbehagen irgendeiner Art auftreten, beenden Sie die Arbeit unverzüglich und überprüfen Sie den Gehörschutz auf korrekten Sitz und Funktion und stellen Sie sicher, dass dieser einen angemessenen Schutz für den Lärmpegel bietet, der von den verwendeten Werkzeugen ausgeht.

⚠️ WARNUNG! Bei der Benutzung mancher Werkzeuge wird der Benutzer Vibrationen ausgesetzt, welche zum Verlust des Tastsinns, zu Taubheitsgefühl, Krabbeln und zu einer Verminderung der Handgrieffkraft führen können. Langfristige Belastung kann zu chronischen Beschwerden führen. Begrenzen Sie, falls nötig, die Exposition zu Vibrationen und tragen Sie vibrationsmindernde Handschuhe. Verwenden Sie dieses Werkzeug nicht mit kalten Händen, da Vibrationen bei Temperaturen unter dem individuellen Komfortbereich eine stärkere Wirkung zeigen. Beurteilen Sie die Vibrationsbelastung unter Zuhilfenahme der Technischen Daten des jeweiligen Werkzeuges und bestimmen Sie die zulässige Belastungsdauer und -häufigkeit.

⚠️ WARNUNG! Die Schwingungsbelastung während der Arbeit mit dem Elektrowerkzeug kann je nach Einsatzort des Werkzeugs vom angegebenen SchwingungsGesamtwert abweichen. Um angemessene Sicherheitsmaßnahmen zum Schutz des Bedieners ergreifen zu können, sollten für eine genaue Abschätzung der Schwingungsbelastung auch die Zeiten berücksichtigt werden, in denen das Gerät abgeschaltet ist oder zwar läuft, aber nicht tatsächlich im Einsatz ist.

Der in dieser Anweisung angegebene SchwingungsGesamtwert wurde mittels eines standardisierten Prüfverfahrens gemessen und kann zum Vergleich verschiedener Werkzeuge genutzt werden. Er eignet sich auch für eine vorläufige Einschätzung der Schwingungsbelastung.

Die in den Technischen Daten angegebenen Geräusch- und Vibrationsinformationen werden nach internationalen Standards bestimmt. Die angegebenen Werte entsprechen einer normalen Benutzung des Werkzeugs unter normalen Arbeitsbedingungen. Schlecht gewartete, inkompatibel montierte und unsachgemäß verwendete Werkzeuge können erhöhte Schallpegel und Vibrationswerte aufweisen. Weitere Informationen zur EU-Vibrationsrichtlinie und zu Schall- sowie Vibrationsbelastungen, die auch für Heilmawender relevant sein können, finden Sie auf den Seiten der Europäischen Agentur für Sicherheit und Gesundheitsschutz am Arbeitsplatz: www.osha.europa.eu

Allgemeine Sicherheitshinweise für Elektrowerkzeuge

⚠️ WARNUNG! Beachten Sie alle mit dem Gerät gelieferten Sicherheitshinweise, Anweisungen, Abbildungen und technischen Daten. Versäumnisse bei der Einhaltung der Anweisungen können elektrischen Schlag, Brand und/oder schwere Verletzungen verursachen.

Bewahren Sie alle Sicherheitshinweise und Anweisungen für die Zukunft auf.

Der in den Sicherheitshinweisen verwendete Begriff „Elektrowerkzeug“ bezieht sich auf netzbetriebene Elektrowerkzeuge (mit Netzkabel) und auf akkubetriebene Elektrowerkzeuge (ohne Netzkabel).

1) Arbeitsplatzsicherheit

- a) Halten Sie Ihren Arbeitsbereich sauber und gut beleuchtet. Unordnung oder unbeleuchtete Arbeitsbereiche können zu Unfällen führen.
- b) Arbeiten Sie mit dem Elektrowerkzeug nicht in explosionsgefährdeter Umgebung, in der sich brennbare Flüssigkeiten, Gas oder Stäube befinden. Elektrowerkzeuge erzeugen Funken, die den Staub oder die Dämpfe entzünden können.
- c) Halten Sie Kinder und andere Personen während der Benutzung des Elektrowerkzeuges fern. Bei Ablenkung können Sie die Kontrolle über das Gerät verlieren.

2) Elektrische Sicherheit

- a) Der Anschlussstecker des Elektrowerkzeuges muss in die Steckdose passen. Der Stecker darf in keiner Weise verändert werden. Verwenden Sie keine Adapter mit geerdeten Elektrowerkzeugen. Unveränderte Stecker und passende Steckdosen verringern das Risiko eines elektrischen Schlages.
- b) Vermeiden Sie Körperkontakt mit geerdeten Oberflächen wie von Rohren, Heizungen, Herden und Kühlschränken. Es besteht ein erhöhtes Risiko durch elektrischen Schlag, wenn Ihr Körper geerdet ist.
- c) Halten Sie Elektrowerkzeuge von Regen oder Nässe fern. Das Eindringen von Wasser in ein Elektrowerkzeug erhöht das Risiko eines elektrischen Schlages.
- d) Zweckfremden Sie das Kabel nicht, um das Elektrowerkzeug zu tragen, aufzuhängen oder um den Stecker aus der Steckdose zu ziehen. Halten Sie das Kabel fern von Hitze, Öl, scharfen Kanten oder sich bewegendem Geräteteilen. Beschädigte oder verwickelte Kabel erhöhen das Risiko eines elektrischen Schlages.
- e) Wenn Sie mit einem Elektrowerkzeug im Freien arbeiten, verwenden Sie nur Verlängerungskabel, die auch für den Außenbereich geeignet sind. Die Anwendung eines für den Außenbereich geeigneten Verlängerungskabels verringert das Risiko eines elektrischen Schlages.
- f) Wenn der Betrieb des Elektrowerkzeuges in feuchter Umgebung nicht

vermeidbar ist, verwenden Sie einen Fehlerstromschutzschalter. Der Einsatz eines Fehlerstromschutzschalters vermindert das Risiko eines elektrischen Schlages.

- g) In Australien und Neuseeland darf dieses Gerät nur unter Verwendung einer Fehlerstromschutzschalteneinrichtung (FI-Schalter) mit einem Bemessungsfehlerstrom von höchstens 30 mA an die Spannungsversorgung angeschlossen werden.
 - h) Benutzen Sie ein geeignetes Verlängerungskabel. Stellen Sie sicher, dass Ihr Verlängerungskabel in einwandfreiem Zustand ist. Verwenden Sie nur Verlängerungskabel, die für die Stromaufnahme des Produkts ausgelegt sind. Ein unterdimensioniertes Kabel verursacht Spannungsabfälle und führt zu Leistungsverlust und Überhitzung.
- #### 3) Sicherheit von Personen
- a) Seien Sie aufmerksam, achten Sie darauf, was Sie tun, und gehen Sie mit Vernunft an die Arbeit mit einem Elektrowerkzeug. Benutzen Sie kein Elektrowerkzeug, wenn Sie müde sind oder unter dem Einfluss von Drogen, Alkohol oder Medikamenten stehen. Ein Moment der Unachtsamkeit beim Gebrauch des Elektrowerkzeuges kann zu ernsthaften Verletzungen führen.
 - b) Tragen Sie persönliche Schutzausrüstung und immer eine Schutzbrille. Das Tragen persönlicher Schutzausrüstung, wie Staubmaske, rutschfeste Sicherheitsschuhe, Schutzhelm oder Gehörschutz, je nach Art und Einsatz des Elektrowerkzeuges, verringert das Risiko von Verletzungen.
 - c) Vermeiden Sie eine unbeabsichtigte Inbetriebnahme. Vergewissern Sie sich, dass das Elektrowerkzeug ausgeschaltet ist, bevor Sie es an die Stromversorgung und/oder den Akku anschließen, es aufnehmen oder tragen. Wenn Sie beim Tragen des Elektrowerkzeuges den Finger am Schalter haben oder das Gerät eingeschaltet an die Stromversorgung anschließen, kann dies zu Unfällen führen.
 - d) Entfernen Sie Einstellwerkzeuge oder Schraubenschlüssel, bevor Sie das Elektrowerkzeug einschalten. Ein Werkzeug oder Schlüssel, der sich in einem drehenden Geräteteil befindet, kann zu Verletzungen führen.
 - e) Vermeiden Sie eine unnatürliche Körperhaltung. Sorgen Sie für einen sicheren Stand und halten Sie jederzeit das Gleichgewicht. Auf diese Weise lässt sich das Elektrowerkzeug in unerwarteten Situationen besser kontrollieren.
 - f) Tragen Sie geeignete Kleidung. Tragen Sie keine weite Kleidung oder Schmuck. Halten Sie Haare, Kleidung und Handschuhe fern von sich bewegendem Teilen. Lockere Kleidung, Schmuck oder lange Haare können von sich bewegendem Teilen erfasst werden.
 - g) Wenn Staubabsaug- und -auffangeinrichtungen montiert werden können, vergewissern Sie sich, dass diese angeschlossen sind und richtig verwendet werden. Verwendung einer Staubabsaugung kann Gefährdungen durch Staub verringern.
 - h) Vernachlässigen Sie bei häufiger Arbeit mit Elektrowerkzeugen trotz der Vertrautheit mit den Geräten nicht die Sicherheitsprinzipien. Fahrlässiges Handeln kann in Sekundenbruchteilen zu schwersten Verletzungen führen.
- #### 4) Allgemeine Sicherheitshinweise für Elektrowerkzeuge
- a) Überlasten Sie das Gerät nicht. Verwenden Sie für Ihre Arbeit das dafür bestimmte Elektrowerkzeug. Mit dem passenden Elektrowerkzeug arbeiten Sie besser und sicherer im angegebenen Leistungsbereich.
 - b) Benutzen Sie kein Elektrowerkzeug, dessen Schalter defekt ist. Ein Elektrowerkzeug, das sich nicht mehr ein- oder ausschalten lässt, ist gefährlich und muss repariert werden.
 - c) Ziehen Sie den Stecker aus der Steckdose und/oder entfernen Sie den Akku, bevor Sie Geräteeinstellungen vornehmen, Zubehörteile wechseln oder das Gerät weglegen. Diese Vorsichtsmaßnahme verhindert den unbeabsichtigten Start des Elektrowerkzeuges.
 - d) Bewahren Sie unbenutzte Elektrowerkzeuge außerhalb der Reichweite von Kindern auf. Lassen Sie Personen das Gerät nicht benutzen, die mit diesem nicht vertraut sind oder diese Anweisungen nicht gelesen haben. Elektrowerkzeuge sind gefährlich, wenn sie von unerfahrenen Personen benutzt werden.
 - e) Pflegen Sie Elektrowerkzeuge mit Sorgfalt. Kontrollieren Sie, ob bewegliche Teile einwandfrei funktionieren und nicht klemmen, ob Teile gebrochen oder so beschädigt sind, dass die Funktion des Elektrowerkzeuges beeinträchtigt ist. Lassen Sie beschädigte Teile vor dem Einsatz des Gerätes reparieren. Viele Unfälle haben ihre Ursache in schlecht gewarteten Elektrowerkzeugen.
 - f) Halten Sie Schneidwerkzeuge scharf und sauber. Sorgfältig gepflegte Schneidwerkzeuge mit scharfen Schneidkanten verklemmen sich weniger und sind leichter zu führen.
 - g) Verwenden Sie Elektrowerkzeug, Zubehör, Einsatzwerkzeuge usw. entsprechend diesen Anweisungen. Berücksichtigen Sie dabei die Arbeitsbedingungen und die auszuführende Tätigkeit. Der Gebrauch von Elektrowerkzeugen für andere als die vorgesehenen Anwendungen kann zu gefährlichen Situationen führen.
 - h) Halten Sie Griffe und Griffflächen trocken, sauber und frei von Fett und Öl. Rutschige Hände und Griffflächen machen die sichere Handhabung des Werkzeuges in unvorhergesehenen Situationen unmöglich.
- #### 5) Service
- a) Lassen Sie Ihr Elektrowerkzeug nur von qualifiziertem Fachpersonal und nur mit Original-Ersatzteilen reparieren. Damit wird sichergestellt, dass die Sicherheit des Elektrowerkzeuges erhalten bleibt.

Zusätzliche Sicherheitshinweise für Oberfräsen

⚠️ WARNUNG!

- Halten Sie das Elektrowerkzeug nur an den isolierten Handgriffen bzw. Griffflächen, denn das Schließband/-blatt könnte mit dem Netzkabel in Kontakt kommen. Der Kontakt mit einer spannungsführenden Leitung kann auch metallene Geräteteile unter Spannung setzen und zu einem Stromschlag führen.
- Klemmen Sie das Werkzeug an eine stabile Arbeitsplatte. Beim Halten mit den Händen allein oder dem Körper kann es zum Kontrollverlust kommen.
- Falls das Netzkabel ersetzt werden muss, darf dies nur durch den Hersteller oder einen seiner zugelassenen Vertreter erfolgen, um Sicherheitsrisiken auszuschließen.
- Es wird dringend empfohlen, dieses Gerät nur unter Verwendung einer Fehlerstromschutzeinrichtung (FI-Schalter) mit einem Bemessungsfehlerstrom von höchstens 30 mA an die Spannungsversorgung anzuschließen.
 - a) Verwenden Sie Sicherheitsausrüstung einschließlich Schutzbrille oder Gesichtsschutz, Gehörschützer und Staubschutzmaske sowie Schutzkleidung einschließlich Schutzhandschuhen.
 - b) Lappen, Tücher, Kabel, Bindfäden, Seile u. Ä. dürfen niemals im Arbeitsbereich liegengelassen werden.
 - c) Stellen Sie sich vor Arbeitsbeginn sicher, dass die Netzspannung der auf dem Typenschild des Gerätes angegebenen Spannung entspricht.
 - d) Stellen Sie bei Verwendung eines Verlängerungskabels sicher, dass sein Amperewert für das Elektrowerkzeug zulässig ist und sich in einem elektrisch sicheren Zustand befindet.
 - e) Wickeln Sie Verlängerungskabel vollständig von der Kabeltrommel ab, um ein mögliches Überhitzen zu verhindern.
 - f) Überprüfen Sie Wände, Decken und Böden stets auf verborgene Stromleitungen und Röhre. Wenden Sie sich bei Bedarf an Ihr Versorgungsunternehmen. Kontakt mit elektrischen Leitungen kann zu Bränden und Elektroshocks führen. Das Beschädigen von Gasleitungen kann Explosionen nach sich führen. Kontakt mit elektrischen Leitungen kann zu Bränden und Elektroshocks führen.
 - g) Vergewissern Sie sich, dass sämtliche Fremdkörper wie Nägel und Schrauben aus dem Werkstück entfernt wurden, bevor Sie die Arbeit aufnehmen.
 - h) Lassen Sie Vorsicht im Umgang mit Fräsern walten, denn sie können äußerst scharf sein.
 - i) Überprüfen Sie den Fräser vor dem Gebrauch sorgfältig auf Schäden und Risse. Ersetzen Sie beschädigte und rissige Fräser umgehend.
 - j) Versichern Sie sich das Fräsestellende scharf und korrekt instandgehalten werden. Unschärfe Teile können zu unkontrollierbaren Situationen führen, den Motor überlasten oder abwürgen und zu Unfällen führen.
 - k) Halten Sie die Oberfräse stets mit beiden Händen und stellen Sie sicher, dass sie fest in Ihren Händen liegt, bevor Sie mit der Arbeit beginnen.
 - l) Halten Sie die Griffflächen stets trocken, sauber und frei von Öl und Fett um sicher das Werkzeug halten zu können.
 - m) Schalten Sie das Gerät ein und lassen Sie es eine Weile laufen, bevor Sie einen Schnitt vornehmen. Achten Sie dabei auf mögliche Vibrationen oder ein „Wackeln“, welches auf einen unsachgemäß eingesetzten Fräser hinweisen kann.
 - n) Seien Sie sich der Drehrichtung des Fräsers und der Vorschubrichtung bewusst.
 - o) Halten Sie Ihre Hände von sich drehenden Geräte- und Zubehörtteilen fern. Fassen Sie den Fräser mit Ihrer zweiten Hand am Zusatzgriff oder an den isolierten Griffflächen.
 - p) Schalten Sie die Oberfräse niemals ein, wenn der Fräser das Werkstück berührt.
 - q) Sorgen Sie dafür, dass die Eintauchfeder stets montiert ist, wenn das Gerät zum handgeführten Fräsen verwendet wird.
 - r) Vergewissern Sie sich, dass der Fräser zum völligen Stillstand gekommen ist, bevor die Spannzange arretiert wird.
 - s) Setzen Sie ausschließlich Fräser ein, die für den Höchstdrehzahlbereich des Werkzeuges geeignet sind.
 - t) Nach dem Einsatz können Fräser heiß sein. Berühren Sie das Gerät daher nicht unmittelbar nach dem Gebrauch.
 - u) Bringen Sie den Fräser nicht in direkten Kontakt mit Brennstoffe.
 - v) Achten Sie darauf dass die Größe des Fräsers mit dem des Spannzangenhalters exakt übereinstimmt. Unsachgemäß eingesetzte Fräser rotieren ungleichmäßig und verursachen erhöhte Vibrationen, die zu einem Kontrollverlust führen können.
 - w) Während das Gerät in Betrieb ist darf die Spindelarretierungstaste oder der Wahlschalter nicht bedient werden.
 - x) Halten Sie einen konstanten Druck während Sie in ein Werkstück schneiden. Wenden Sie keine zusätzliche Kraft an die den Motor überlasten können, sondern lassen Sie den Fräser die Schnittgeschwindigkeit bestimmen.
 - y) Achten Sie darauf dass Typenschilder und Sicherheitsetiketten auf dem Gerät gut lesbar sind und ersetzt werden wenn diese beschädigt oder verschmutzt sind.
 - z) Bei Bedienung kann es dazu kommen das der Fräser sich im Werkstück festsetzt und einen Kontrollverlust verursacht. Halten Sie das Gerät stets fest und lassen Sie in solchen Fällen den An-/Aussschalter sofort los.

- Nachdem Sie die Oberfräse angeschaltet haben, achten Sie darauf dass der Fräser sich gleichmäßig bewegt d.h. kein „Wackeln“ verursacht und somit Vibrationen entstehen. Das Bedienen des Gerätes mit unsachgemäß eingesetztem Fräser kann zu Kontrollverlust und Verletzungen führen.
- Achten Sie unbedingt darauf, den Motor nicht zu überlasten, wenn Sie Fräser mit einem Durchmesser über 50 mm (2") einsetzen. Sorgen Sie für eine sehr niedrige Vorschubgeschwindigkeit und/oder nehmen Sie mehrere Fräsdurchgänge mit jeweils geringer Spanabnahme vor, um eine Überlastung des Motors zu vermeiden.
- Warten Sie stets, bis der Fräser zum völligen Stillstand gekommen ist, bevor Sie das Gerät vom Werkstück abheben.
- Trennen Sie das Gerät stets vom Stromnetz, bevor Sie Einstellungen, Wartungsarbeiten o.ä. durchführen.
- Auch wenn dieses Gerät wie vorgeschrieben verwendet wird, ist es nicht möglich, sämtliche Restrisiken auszuschließen. Sollten Sie sich bezüglich der sachgemäßen und sicheren Verwendung dieses Gerätes nicht vollkommen sicher sein, verwenden Sie es nicht.

⚠️ **WARNUNG:** Bei der Arbeit mit Elektrowerkzeugen kann Giftstaub erzeugt werden. Einige Werkstoffe können chemisch behandelt worden sein und eine Gesundheitsgefahr darstellen. Natürliche und Verbundmaterialien können giftige Substanzen enthalten. Ältere Farben und Lacke enthalten mitunter Blei oder andere Schadstoffe. Setzen Sie sich durch die Arbeit mit einer Oberfräse erzeugtem Staub nicht über längere Zeiträume aus. Vermeiden Sie Haut- und Augenkontakt mit dem entstehenden Staub und nehmen Sie ihn keinesfalls mit dem Mund auf, um die Aufnahme gesundheitsschädlicher Stoffe zu verhindern. Arbeiten Sie nach Möglichkeit in gut belüfteter Umgebung. Verwenden Sie eine geeignete Staubschutzmaske und möglichst auch eine Entstaubungsanlage. Bei häufigerer Exposition ist es umso wichtiger, dass sämtliche Schutzmaßnahmen eingehalten und Schutzausrüstung mit höherem Schutzniveau verwendet wird.

Produktübersicht

1. Revolveranschlänge
2. Spannutter
3. Tiefenanschlag
4. Seitliche Lüftungsschlitze
5. Flügelsschraube zur Tiefenanschlagarretierung
6. Motor
7. Zurückschiebbare Schalterabdeckung
8. Ein-/Aussschalter
9. Kohlebürstenabdeckung
10. Drehzahlregler
11. Spannhelb zur Frästiefenarretierung
12. Schutzhauben
13. Montageknöpfe für Gleitplatte
14. Einstellkurbelanschluss
15. Staubabsaugstutzen
16. Automatische Spindelarretierung
17. Drehgriffing
18. Tiefenhub-Wahlschalter
19. Stellrad
20. Feinjustierung
21. Eintauchfederkappe
22. NVR-Umgehungsanschluss (Nullspannungsschutz)
23. Anschlag
24. Spannzange (x 2)
25. Drehgriffregelung
26. Gabelschlüssel
27. Zirkelnehmheit
28. Gleitplatte
29. NVR-Umgehungsschlüssel (Nullspannungsschutz)
30. Schrauben (¼ UNC x 4) zur Befestigung auf CMT-Tischen (Ersatzteil: 990.467.00)

Abb. II

- A. 4 Schrauben mit ¼ UNC-Gewinde
- B. 3 Schrauben mit M6-Gewinde
- C. Tischkurbel Einkerbung

Bestimmungsgemäße Verwendung

Handgeführte Präzisions-Oberfräse für den Einsatz von Fräseinsätzen mit 12 mm (½ Zoll) Aufnahmeschliff (von der installierten Spannanzge abhängig). Zum Profilieren und Anfertigen von Nuten, Kanten und Langlöchern in Naturholz und Holzverbundmaterial. Mit Kopierhülsen und Frässchablone/-lehren zum Anfertigen von Formen und Ausfräsen von Mustern kompatibel. Lässt sich unter Verwendung entsprechend geeigneter Frästischsysteme auch stationär montieren.

Das Gerät darf nur für seinen bestimmungsgemäßen Zweck verwendet werden. Jede von der Beschreibung in dieser Gebrauchsanweisung abweichende Verwendung wird als missbräuchliche Verwendung angesehen. Der Bediener, nicht der Hersteller, ist für jegliche Schäden oder Verletzungen aufgrund missbräuchlicher Verwendung haftbar. Der Hersteller ist weder für am Gerät vorgenommene Modifikationen noch für aus solchen Veränderungen resultierende Schäden haftbar.

Auspacken des Gerätes

- Packen Sie Ihr Gerät vorsichtig aus und überprüfen Sie es. Machen Sie sich vollständig mit allen seinen Eigenschaften und Funktionen vertraut.
- Vergewissern Sie sich, dass sämtliche Teile des Gerätes vorhanden und in einwandfreiem Zustand sind. Sollten Teile fehlen oder beschädigt sein, lassen Sie diese ersetzen, bevor Sie das Gerät verwenden.

Vor Inbetriebnahme

⚠️ WARNUNG! Vergewissern Sie sich, dass das Gerät ausgeschaltet und vom Stromnetz getrennt ist, bevor Sie Zubehör auswechseln oder Einstellungen vornehmen.

⚠️ WARNUNG! Überprüfen Sie regelmäßig, bei längerem Gebrauch oder wenn die Oberfräse transportiert oder fallen gelassen wurde, dass die Eintauchfederkappe (21) richtig sitzt und sicher befestigt ist. Sie sollte ohne sichtbaren Spalt parallel zum Werkzeugkörper sitzen und mit der Befestigungsschraube sicher fixiert sein, um ein versehentliches Abschrauben der Eintauchfederkappe zu verhindern, siehe Abb. O. Die Eintauchfeder steht unter hohem Spannungsdruck die, bei einer unkontrollierten Freigabe, schwere Verletzungen verursachen kann. Befolgen Sie stets sorgfältig die Anweisungen, wenn Sie die Eintauchfeder entfernen und auswechseln.

Spannzange und Fräser anbringen

⚠️ WARNUNG! Tragen Sie während des Fräserwechsels zum Schutz vor scharfen Schneidkanten Schutzhandschuhe.

1. Trennen Sie das Gerät vom Stromnetz und lassen Sie den Motor (6) vollständig zum Stillstand kommen.
2. Stellen Sie die Oberfräse auf ihre maximale Frästiefe ein, indem Sie den Drehgriffregelmodus (17) (Abb. B) nach innen und drücken und das Stellrad (19) im Uhrzeigersinn drehen bis die Spannzange (24) aus der Grundplatte herausragt.

Hinweis: Stellen Sie sicher, dass der Tiefenanschlag (3) vollständig eingefahren ist (siehe „Tiefenanschlag und Revolver“) Die Spannzange sollte nun durch die Grundplatte ragen, so dass der Zugang mit dem Spannzangenschlüssel leicht möglich ist.

3. Lösen Sie die Spannzange, indem Sie den mitgelieferten Spannzangenschlüssel (26) im Gegenuhrzeigersinn drehen, bis diese entfernt werden kann.
4. Wählen Sie die gewünschte Spannzange und befestigen Sie diese im Spannzangenhalter (2), indem sie die Spannzange im Uhrzeigersinn drehen.
5. Achten Sie dabei darauf, dass mindestens 20 mm oder die Hälfte des Schafts (je nachdem, welcher Wert größer ist) in die Spannzange eingeführt ist. Drehen Sie nun mit dem Spannzangenschlüssel die Spannzange leicht an, damit die Spannzangenverriegelung einrasten kann (Abb. C). Sobald die Spannzangenverriegelung greift, drehen Sie den Schlüssel im Uhrzeigersinn, um den Fräser festzuziehen.
6. Bringen Sie die Oberfräse wieder in eine normale Frästiefe. Dadurch wird die Spannzangenverriegelung gelöst und die zurückschiebbare Schalterabdeckung freigegeben, so dass der Ein-/Ausschalter (8) zugänglich wird.

Staubabzugsstutzen

Hinweis: Die CMT-Oberfräse verfügt über einen Staubabzugsstutzen (15) zur Spanabfuhr über dem Frässhchnitt. An diesen Stutzen lässt sich ein Schlauch mit einem Außendurchmesser von 38 mm (1½ Zoll) anschließen.

- Der Schlauch wird über ein Linksgewinde (d.h. gegen den Uhrzeigersinn) angeschraubt.

Installation der Gleitplatte und des Anschlags

1. Lösen Sie die Montageknöpfe (13) völlig, dies ermöglicht den Montagestutzen in die Sicherungslöcher der Gleitplatte (28) einzurasten.
2. Drehen Sie die Oberfräse und die Gleitplatte verkehrt herum.
3. Drücken Sie die Schraubenköpfe der Montageknöpfe nach innen, um die Montagestutzen freizulegen.
4. Richten Sie nun die Montagestutzen auf die Sicherungslöcher in der Gleitplatte aus und schieben Sie die Stutzen in die Schlüsselochschlitze (Abb. K).

Hinweis: Die Ausrichtung der Gleitplatte hängt davon ab, wo die Abstützung erforderlich ist. Achten Sie darauf, dass sich der Ein-/Ausschalter (8) auf der Seite mit der geringeren Auskrägung befindet, wenn Sie Kantenarbeiten durchführen möchten.

5. Ziehen Sie die Montageknöpfe der Oberfräse anschließend fest an, um die Gleitplatte an die Oberfräse zu sichern.

6. Um den Anschlag (23) anzubringen, lösen Sie die Anschlagknöpfe durch ein paar Umdrehungen und schieben Sie den Anschlag in der Gleitplattenschiene entlang (Abb. L). Fixieren Sie ihn in der gewünschten Stellung, indem Sie beide Anschlagknöpfe anziehen.

Hinweis: Bringen Sie den Anschlag zum Fräsen von Nutzen, die nicht an einer Kante liegen, an der Gleitplattenseite mit der größeren Auskrägung an.

Hinweis: Bringen Sie den Anschlag bei Kantenarbeiten mit einem Fräser ohne Anlaufleger an der Seite mit der geringeren Auskrägung an (Abb. J).

Hinweis: Falls Sie Fräser mit sehr großem Durchmesser verwenden, ist es gegebenenfalls notwendig, mithilfe der Schraubenlöcher Holzblöcke an den Anschlagflächen zu befestigen, um so zu verhindern, dass der Fräser den Anschlag berührt.

Bedienung

⚠️ WARNUNG! Tragen Sie STETS Augenschutz, ausreichenden Atem- und Gehörschutz, sowie geeignete Schutzhandschuhe, wenn Sie mit diesem Gerät arbeiten.

Ein- und Ausschalten des Gerätes

Hinweis: Bei Anschluss der Oberfräse an das Stromnetz leuchtet der Ein-/Ausschalter (8) sowohl in der „Ein“- als auch in der „Aus“-Stellung.

Hinweis: Die zurückschiebbare Schalterabdeckung (7) verhindert ein unbeabsichtigtes Einschalten der Oberfräse und muss zurückgeschoben werden, bevor die Oberfräse eingeschaltet werden kann. Die Abdeckung bleibt so lange offen, bis die Oberfräse ausgeschaltet wird.

1. Vergewissern Sie sich, dass die Oberfräse sich in maximaler Entfernung befindet und das der Fräser nicht mit Fremdkörpern in Kontakt kommen kann.
2. Schließen Sie das Gerät an eine Stromquelle an und schieben Sie die zurückschiebbare Abdeckung zurück, um den Ein-/Ausschalter freizulegen.
3. Drücken Sie den Ein-/Ausschalter in die „I“ Position um die Oberfräse einzuschalten. Die Abdeckung bleibt während des Betriebs des Gerätes offen.
4. Drücken Sie den Ein-/Ausschalter in die „0“ Position um das Gerät auszuschalten. Die zurückschiebbare Schalterabdeckung schiebt sich nun in seine normale Position zurück.

Drehzahlregelung

Hinweis: Die genauen Drehzahlstellungen der Oberfräse sind nicht ausschlaggebend; allgemein gilt, dass die höchste Drehzahl, die nicht zu Brandspuren auf dem Werkstück führt, gewählt werden sollte. Richten Sie sich stets nach den maximalen Drehzahlbezugsangaben des Fräser-Herstellers, sofern angegeben.

- Ein Betrieb bei reduzierter Drehzahl erhöht die Gefahr einer Beschädigung der Oberfräse durch Überlastung. Wählen Sie besser sehr langsame Vorschubgeschwindigkeiten und/oder nehmen Sie mehrere flache Frässchnitte vor.
- Der Drehzahlregler (10) ist mit den Ziffern 1 bis 5 gekennzeichnet, die ungefähr den nachstehenden Drehzahlen und Fräserdurchmessern entsprechen. Stellen Sie die gewünschte Drehzahl am Drehzahlregler ein.

Einstellung	min ⁻¹	Fräserdurchmesser
5	21.000	Bis 25 mm (1 Zoll)
4	18.000	25 – 50 mm (1 Zoll – 2 Zoll)
3	14.500	50 – 65 mm (2 Zoll – 2½ Zoll)
2	11.000	Über 65 mm (2½ Zoll)
1	8.000	Nur bei Brandspuren verwenden

Frästiefe einstellen

WICHTIG:

SIE BESCHÄDIGEN DEN EINTAUCHMECHANISMUS DES GERÄTS, WENN SIE DIESE ANWEISUNGEN NICHT BEFOLGEN.

Stellen Sie STETS sicher, dass der Spannhebel zur Frästiefenarretierung (11) freigegeben ist, indem Sie den Hebel in seine höchste Position bringen, bevor Sie die Schnitttiefe mit den unten aufgeführten Methoden „Freies Eintauchen“ oder „Stellradeinstellungen“ einstellen.



Hinweis: Um den Fräser auf eine bestimmte Schnitttiefe einstellen zu können, senken Sie den Fräsekopf und drehen den Spannhebel zur Frästiefenarretierung (11) auf die untere Position. Dies hält den Fräsekopf in Position.

• Je nach gewünschter Genauigkeit und Steuerungsmöglichkeit kann zwischen drei unterschiedlichen Frästiefeneinstellungen gewählt werden.

Freies Eintauchen

1. Freie Tauchtiefeneinstellungen können mit Hilfe des gedrückten Tiefenhub-Wahlschalters (18) vorgenommen werden. Drücken Sie den Tiefenhub-Wahlschalter im Haltegriff nach innen bis dieser eingerastet ist (Abb. A).
2. Geben Sie den Spannhebel der Frästiefenarretierung (11) frei und drücken Sie den Gerätekörper der Oberfräse auf die gewünschte Tiefe. Nun den Spannhebel der Frästiefenarretierung wieder feststellen.

Stellradeinstellungen

1. Tauchtiefeneinstellungen können durch Drehen des Stellrads (19) vorgenommen werden.
2. Geben Sie den Tiefenhub-Wahlschalter (18) frei und achten Sie darauf, dass der Schalter mit dem Stellrad bündig steht.
3. Um das Stellrad freizugeben, ziehen Sie den Drehgriffing (17) nach innen (Abb. B).
4. Lösen Sie den Spannhebel der Frästiefenarretierung (11) und drehen das Stellrad bis die gewünschte Schnitttiefe erreicht ist. Geben Sie den Drehgriffing frei und schließen Sie den Spannhebel zur Frästiefenarretierung wieder.

Feinjüstierung

Nur im Drehgriffregelungs- (19) Modus zu verwenden!

1. Lösen Sie den Tiefenhub-Wahlschalter (18) und achten Sie darauf, dass der Spannhebel zur Frästiefenarretierung (11) nicht arretiert ist.

HINWEIS: Wenn das Stellrad (19) gedreht wird, während der Spannhebel (11) arretiert ist, beginnt das Stellrad unter Klickgeräuschen leer zu laufen und die Frästiefe bleibt unverändert.

2. Drehen Sie das Stellrad (19) im Uhrzeigersinn, um die Frästiefe zu erhöhen und gegen den Uhrzeigersinn, um die Frästiefe zu verringern.

HINWEIS: Wenn die maximale Eintauchtiefe erreicht ist, ist beim Drehen des Stellrades ein stärkerer Widerstand spürbar und das Stellrad beginnt, unter Klickgeräuschen leer zu laufen.

3. Arretieren Sie den Spannhebel, insbesondere bei großen Frästiefen.

Tiefenanschlag und Revolver

1. Der Tiefenanschlag (3) und Revolveranschlag (1) ermöglichen ein exaktes Einstellen von bis zu drei verschiedenen Frästiefen.
2. Lösen Sie die Flügelschraube zur Tiefenanschlagsarretierung (5) und führen Sie den Tiefenanschlag (3) völlig zurück, danach die Flügelschraube wieder fest anziehen (Abb. F).
3. Stellen Sie den Revolveranschlag mit Hilfe der Skaleneinteilung des stationären Revolveranschlags auf die gewünschte Schnitttiefe ein (Abb. G).

Hinweis: Um die Revolver austauschen zu können, drehen Sie den Revolveraufbau soweit, bis dieser mit dem Tiefenanschlag ausgerichtet ist.

4. Setzen Sie den gewünschten Fräser in die Spannzanze (24) und justieren Sie die Schnitttiefe, bis die Spitze des Fräsers das Werkstück berührt.
5. Rotieren Sie den Revolver bis der stationäre Revolveranschlag mit dem Tiefenanschlag ausgerichtet ist. Geben Sie den Anschlag frei und lassen sie ihn in Position einrasten, danach die Flügelschraube zur Tiefenanschlagsarretierung wieder anziehen. Die Tauchtiefe ist jetzt auf Nullposition eingestellt.
6. Drehen Sie die Revolveranschläge bis die gewünschte Tauchtiefe mit dem Tiefenanschlag ausgerichtet ist.

Handgeführtes Fräsen

Hinweis: Fräsen Sie niemals im Freihandbetrieb ohne Führungsvorrichtung wie beispielsweise einen Fräser mit Anlaufleger, den mitgelieferten Führungsanschlag oder einer Art Parallelschlag (Abb. I).

1. Verwenden Sie stets beide Hände zur Bedienung der Oberfräse und sorgen Sie dafür, dass Ihr Werkstück fest eingespannt ist, um ein Verwutschen während der Bearbeitung zu verhindern.
2. Lassen Sie die Oberfräse auf ihre volle Betriebsdrehzahl anlaufen.
3. Senken Sie den Fräser in das Werkstück und bewegen Sie die Oberfräse nun langsam nach vorne, während Sie die Grundplatte flach an das Werkstück halten.
4. Beim Kanten bearbeiten sollte der Schnitt links der Schnittrichtung verlaufen (Abb. I). Halten Sie einen konstanten Druck und lassen Sie den Fräser langsam durch das Werkstückmaterial durcharbeiten. Bitte beachten Sie dass der Fräser bei Abstellen oder anderen Unregelmäßigkeiten ein wenig länger braucht.

Hinweis: Um ein Zerbrechen des Fräsers zu vermeiden führen Sie äußere Schnitte im Gegenuhzeigersinn und innere Schnitte im Uhrzeigersinn durch.

Hinweis: Ein zu schnelles Führen des Fräsers durch das Werkstück, führt zu schlechten Fräseergebnissen und ein Überhitzen des Motors (G), ein zu langsames Bewegen des Fräsers kann zur Überhitzung des Werkstückes führen.

Hinweis: Im Normalbetrieb wird die Fräserspitze in das Werkstück getaucht, nachdem die Oberfräse eingeschaltet wurde.

Hinweis: Betreiben Sie die Oberfräse nicht umgedreht, es sei denn, sie ist fest an einem Frästisch (z.B. von CMT) mit ausreichend funktionstüchtigen Schutzvorrichtungen montiert.

Ausführung mehrerer Fräsdurchgänge

1. Der Revolveranschlag (1) ermöglicht dem Benutzer die Ausführung von maximalen Schnitttiefen durch eine Reihe von Fräsdurchgängen. Jeder dieser Durchgänge kann am Revolver voreingestellt werden, indem das Rändelrädchen des Revolveranschlags justiert wird.
2. Rotieren Sie den Revolveranschlag bis der Tiefenanschlag (3) den voreingestellten höchsten Stand des Revolvers berührt, wenn sich die Oberfräse im Tauchmodus befindet. Der erste Fräsdurchgang kann jetzt durchgeführt werden.
3. Führen Sie weitere Fräsdurchgänge durch, indem Sie den Revolveranschlag rotieren und Sie die Revolveranschlagtiefe für jeden der Durchgänge justieren, falls dies notwendig ist, bis die gewünschte Schnitttiefe erreicht ist.

Kreisbögen fräsen

1. Montieren Sie die Gleitplatte (28) ohne den Anschlag (23) an der Oberfräse.
 2. Nehmen Sie die Zirkeloneinheit (27) aus der Gleitplatte und bringen Sie sie mithilfe eines kleinen Nagels oder einer Schraube, der/die durch eines der Löcher in der Zirkeloneinheit geführt wird (Abb. M), mittig auf Ihrem Werkstück an. Belassen Sie die Schraube der Zirkeloneinheit in dieser Position.
 3. Senken Sie die Oberfräse und Gleitplatte über der Zirkeloneinheit ab und bringen Sie die Unterlegscheibe und die Flügelmutter wieder an (Abb. N).
 4. Führen Sie die Oberfräse in ausgeschaltetem Zustand an der Kreislinie entlang, um den Bogen zu überprüfen. Nehmen Sie gegebenenfalls notwendige Einstellungsänderungen vor.
 5. Fräsen Sie den Kreisbogen in mehreren Arbeitsdurchgängen und erhöhen Sie die Frästiefe bei jedem Durchgang um beispielsweise 2 mm (3/32 Zoll) (Abb. N). Nehmen Sie den Schnitt nicht in nur einem tiefen Fräsdurchgang vor.
- Wenn Sie das Werkstück ganz durchtrennen möchten, befestigen Sie ein zweites Brett aus Restmaterial an der Unterseite Ihres Werkstücks. Fräsen Sie den Kreisbogen zunächst größer als benötigt. Wenn das Werkstück ganz durchtrennt ist, verringern Sie den Durchmesser und arbeiten Sie sich mit schmalen Fräsdurchgängen in der gesamten Tiefe zum gewünschten Durchmesser vor.

Stationäres Arbeiten

Hinweis: Die Montage und Bedienung dieser Oberfräse auf einem Frästisch muss entsprechend der mit dem Frästisch mitgelieferten Produktliteratur erfolgen.

Hinweis: Diese Oberfräse wurde zwar für einen effizienten und komfortablen Betrieb auf den meisten Frästischen konzipiert, eignet sich aber besonders für den CMT-Workcenter und das Frästisch-Einsatzmodul CMT.

Hinweis: Die Einstellung der Frästiefe ist dank der, in dieser Bedienungsanleitung beschriebenen, einzigartigen Funktionen dieser Oberfräse sehr einfach. Beziehen Sie sich hierbei auf „Spannzangen und Fräser“ anbringen und „Frästiefe einstellen“.

WICHTIG: Bevor Sie die Oberfräse an einen Frästisch installieren muss die Eintauchfeder entfernt werden:

1. Stellen Sie den Eintauchbereich der Oberfräse ganz nach oben und arretieren Sie den Spannhebel der Frästiefenarretierung (11).
2. Lösen Sie die kleine Schraube neben der Eintauchfederkappe (21) mit ein paar Umdrehungen (Abb. O).
3. Drücken Sie mit der Handfläche die Eintauchfederkappe nach unten und halten Sie sie mit der anderen Hand gut fest, um ein Herauspringen der Kappe, während die Spannung von der Feder genommen wird, zu verhindern. Während Sie den Druck nach unten und einen festen Griff aufrechterhalten, drehen Sie die Eintauchfederkappe im Gegenuhrzeigersinn, um sie zu entfernen (Abb. P).

⚠️ WARNUNG! Die Eintauchfeder steht unter hohem Spannungsdruck, um eine sanfte Eintauchfunktion gewährleisten zu können. Durch Abschrauben der Eintauchfederkappe schnell die Kappe und die Eintauchfeder mit der gleichen Druckkraft nach oben. Achten Sie darauf, die Eintauchfederkappe nicht unkontrolliert freizugeben, da dies zu Verletzungen führen kann.

4. Geben Sie die Eintauchfederkappe langsam und vorsichtig frei (Abb. Q).
 5. Entfernen Sie die Feder und bewahren Sie sie an einem sicheren Ort auf.
 6. Setzen Sie die Eintauchfederkappe wieder ein und ziehen Sie die Schraube an.
- ⚠️ WARNUNG!** Achten Sie beim Einsetzen der Eintauchfeder darauf, dass die Eintauchfederkappe (21) richtig sitzt und sicher befestigt ist. Sie sollte ohne sichtbaren Spalt parallel zum Werkzeugkörper sitzen und mit der Befestigungsschraube sicher fixiert sein, um ein versehentliches Abschrauben der Eintauchfederkappe zu verhindern.

HINWEIS: Vergewissern Sie sich, dass die Eintauchfeder wieder angebracht ist, wenn die Oberfräse im Freihandbetrieb verwendet werden soll.

WICHTIG: Bevor Sie die Oberfräse unter dem Frästisch montieren, vergewissern Sie sich, dass die Flügelschraube zur Tiefenanschlagsverriegelung (5) gelöst ist und sich der Spannhebel (11) in der entriegelten Position befindet.

- Die Tischhöhen-Einstellkurbel (25) rastet in den Einstellkurbelanschluss (14) ein, um eine schnelle und einfache Höhenverstellung über dem Tisch zu ermöglichen, wenn die Oberfräse am Tisch montiert ist.

NVR-Umgebungsschlüssel montieren:

Die CMT7E-Oberfräse verfügt über eine Nullspannungsauslöser (NVR)-Funktion, die verhindert, dass der Motor nach einer Stromunterbrechung automatisch wieder anläuft. Der EIN-/AUS-Schalter muss deswegen vor dem Wiedereinschalten in die AUS-Position gebracht werden. Bei Verwendung mit dem CMT-Workcenter (mit CMT-Frästischmodul) oder einem Frästisch eines Drittanbieters, der über einen eigenen Nullspannungsauslöser-Schutz verfügt, kann diese Funktion durch Einstecken des NVR-Umgebungsschlüssels (29) umgangen werden. Dadurch kann der EIN/AUS-Betrieb des Werkzeugs durch den EIN/AUS-Schalter am Frästisch gesteuert werden.

1. Schrauben Sie den NVR-Umgebungsschlüssel in den NVR-Umgebungsanschluss (22) und ziehen Sie ihn vorsichtig von Hand fest (Abb. T).
2. Befestigen Sie die Schlüsselhalterung an der Unterseite des Frästisches (Abb. U).
3. Schalten Sie die Oberfräse EIN und verwenden Sie den EIN-/AUS-Schalter des Frästisches, um die Oberfräse zu steuern.

⚠️ WARNUNG! Verwenden Sie den NVR-Umgebungsschlüssel NUR, wenn die Oberfräse an eine Stromquelle angeschlossen ist, die selbst durch einen Nullspannungsschutz geschützt ist, wie z. B. der CMT-Workcenter. Stellen Sie STETS sicher, dass die Schlüsselhalterung mit dem Frästisch verbunden ist, um ein versehentliches Entfernen des Fräasers ohne Entfernen des Umgebungsschlüssels zu vermeiden.

Wichtig

1. Zu installieren Ihre CMT-Router, oder ein Anderer Marke, auf CMT-Tische sondern auch zu installieren Ihre CMT-Router auf Ihre Tisch, bitte beachten Sie das Bild S, abschrauben Sie die 4 Schrauben auf der schwarzen Bodenplatte.
2. Es gibt 2 Set von Schraubengewinden, wie in Bild II.
 - A: Es gibt 4 x UNC-Schraubengewinde (zur Befestigung der Grundplatte), die ebenfalls vorhanden sind geeignet für die Montage von CMT-Tischen
 - B: Satz mit 3 x M6-Gewinde
3. Verwenden Sie die 4 mitgelieferten Schrauben (30), um den Router an CMT-Tischen zu installieren.

Beachten Sie: Die M6-Threads sind auf früheren Versionen des CMT7E (2022)-Routers nicht verfügbar.

Zubehör

Eine große Auswahl an passendem Zubehör und Ersatzteilen für dieses Werkzeug erhalten Sie bei Ihrem CMT Händler, wie zum Beispiel:

- Eine große Auswahl an Fräser.
- -Vorgelohrte Fräspiaten (Bild H) für CMT-Zubehör
- -Führungsbuchsen
- -Spannzangen
- -Kohlebürsten

Instandhaltung

⚠️ WARNUNG: Trennen Sie das Gerät stets von der Spannungsversorgung, bevor Sie Wartungs- oder Reinigungsarbeiten ausführen.

Allgemeine Überprüfung

- Überprüfen Sie alle Befestigungsschrauben in regelmäßigen Abständen auf festen Sitz, da sie sich mit der Zeit durch Vibration lockern können.
- Kontrollieren Sie das Netzkabel des Gerätes vor jedem Gebrauch auf Schäden und Verschleiß. Reparaturen müssen durch eine zugelassene CMT-Reparaturwerkstatt erfolgen. Dies gilt auch für mit dem Gerät verwendete Verlängerungskabel.

Reinigung

⚠️ WARNUNG! Tragen Sie während der Reinigung dieses Gerätes stets Schutzausrüstung einschließlich Schutzbrille und Schutzhandschuhe.

- Halten Sie Ihr Gerät stets sauber. Durch Staub und Schmutz verschleien die inneren Teile schnell und die Lebensdauer des Gerätes wird verkürzt.
- Säubern Sie das Gerätegehäuse mit einer weichen Bürste oder einem trockenen Tuch.
- Reinigen Sie Kunststoffteile niemals mit Ätzmitteln. Falls eine Trockenreinigung nicht ausreichend ist, sollte ein mildes Reinigungsmittel auf einem feuchten Lappen verwendet werden.
- Das Gerät darf niemals mit Wasser in Berührung kommen.
- Vergewissern Sie sich vor dem erneuten Gebrauch, dass das Gerät wieder vollkommen trocken ist.
- Die Entlüftungsoffnungen gegebenenfalls mit sauberer, trockener Druckluft reinigen, sofern verfügbar.

Schmierung

- Schmieren Sie alle beweglichen Teile in regelmäßigen Abständen leicht mit einem geeigneten Sprühsmiermittel.

Kohlebürsten

- Mit der Zeit unterliegen die Kohlebürsten des Motors (6) dem Verschleiß.
- Wenn der Verschleiß der Kohlen fortgeschritten ist, kann dadurch die Motorleistung abnehmen, die Maschine kurzzeitig ausfallen oder es kann zu sichtbarer Funkenbildung kommen.
- Nehmen Sie zum Wechseln der Kohlebürsten die beiden Kohlebürstenskappen (9) ab. Entfernen Sie nun die abgenutzten Bürsten (Abb. R) und vergewissern Sie sich, dass die Buchsen sauber sind. Setzen Sie nun die neuen Kohlebürsten vorsichtig ein und bringen anschließend beide Bürstenskappen wieder an.
- Lassen Sie die Fräse nach dem Einsetzen neuer Kohlebürsten zwei bis drei Minuten im Leerlauf laufen, damit sich die Kohlen einschleifen können. Dieser Vorgang ist oft erst nach mehrmaliger Inbetriebnahme des Gerätes vollständig abgeschlossen. Bis sich die Kohlebürsten eingeschleifen haben, kann es weiterhin zu Funkenbildung kommen.
- Alternativ können Sie das Gerät von einem zugelassenen Vertragskundendienst warten lassen.

Kontakt

Wenden Sie sich für alle technischen/Reparaturdienste bitte an Ihren Händler.

Web: www.cmtorangetools.com

Lagerung

- Gerät an einem sicheren, trockenen Ort außerhalb der Reichweite von Kindern lagern.

Entsorgung

Beachten Sie bei der Entsorgung von defekten und nicht mehr reparablen Elektrowerkzeugen die geltenden Vorschriften und Gesetze.

- Elektrowerkzeuge und andere elektrische und elektronische Altgeräte nicht über den Hausmüll entsorgen.
- Lassen Sie sich von der zuständigen Behörde bezüglich der ordnungsgemäßen Entsorgung von Elektrowerkzeugen beraten.

Fehlerbehebung

Störung	Mögliche Ursache	Empfohlene Abhilfe
Oberfräse funktioniert nicht wenn der Ein-/Ausschalter (8) betätigt wird	Keine Stromversorgung	Stromversorgung überprüfen
	Defekter Ein-/Ausschalter	Lassen Sie den Ein-/Ausschalter durch einen zugelassenen CMT-Kundenservice austauschen
Falsches Schnittprofil	Tiefenanschlag (3) nicht richtig eingestellt	Achten Sie darauf, dass der Tiefenanschlag mit der durch die Revolveranschläge (1) zulässigen, maximalen Anzahl an Schnitten übereinstimmt.
	Falsch eingesetzter oder loser Fräser / Spannzange (24)	Fräser oder Spannzange anziehen
Oberfräse läuft nicht	Keine Stromversorgung	Stromversorgung überprüfen
	Kohlebürsten abgenutzt oder klemmen	Gerät vom Stromnetz trennen und Kohlebürstenabdeckung (9) entfernen. Kohlebürsten überprüfen und gegebenenfalls austauschen
	Schalter defekt	Lassen Sie den Ein-/Ausschalter durch einen zugelassenen CMT-Kundenservice austauschen
	Motorkomponenten defekt oder kurzgeschlossen	Lassen Sie das Gerät durch einen zugelassenen CMT-Kundenservice warten
Oberfräse läuft oder schneidet langsam	Unschärfe oder beschädigte Fräser	Fräser schärfen oder austauschen
	Drehzahlregler (10) zu niedrig eingestellt	Drehzahleinstellung erhöhen
	Motor ist überlastet	Druck auf die Oberfräse reduzieren
Übermäßige Vibration	Falsch eingesetzter oder lockerer Fräser	Fräser neu einsetzen und anziehen
	Fräserschaft ist verbogen	Fräser ersetzen
Übermäßige Funkenbildung im Motorgehäuse	Bürsten bewegen sich nicht frei	Netzstecker ziehen, Bürsten ausbauen und säubern oder ersetzen
	Beschädigter oder verschlissener Motor	Lassen Sie das Gerät durch einen zugelassenen CMT-Kundenservice warten
Stellrad „klickt“ und lässt sich nicht einstellen	Spannhebel der Frästiefe ist arretiert	Spannhebel zur Frästiefenarretierung lösen
	Ende des Einstellbereichs erreicht	Oberfräse zurücksetzen
Ungewöhnliche Geräusche	Mechanisches Hindernis	Lassen Sie das Gerät durch einen zugelassenen CMT-Kundenservice warten
	Anker hat interne Kurzschlüsse	

Tradução das instruções originais

Introdução

Obrigado por comprar este produto CMT. Leia estas instruções, pois contêm as informações necessárias para a operação segura e eficiente desta ferramenta. Este produto possui uma série de características exclusivas e, mesmo que você tenha familiaridade com produtos similares, a leitura destas instruções permitirá que tire o máximo proveito de seu design exclusivo. Mantenha este manual sempre à mão, e assegure-se de que todos os usuários da ferramenta leram e compreenderam completamente seu conteúdo. Guarde todos os avisos e instruções para consulta futura.

Descrição dos símbolos

A placa de identificação de sua ferramenta poderá apresentar alguns símbolos. Estes indicam informações importantes sobre o produto, ou instruções sobre seu uso.



Use proteção auricular
Use proteção ocular
Use proteção respiratória
Use proteção de cabeça



Use proteção nas mãos



AVISO - Para reduzir o risco de lesões, o usuário deve ler o manual de instruções



Cuidado!



Aviso: Lâminas ou dentes afiadíssimos!



NÃO use sob chuva ou em ambientes húmidos!



Desligue sempre da tomada elétrica, quando for fazer ajustes, trocar acessórios, limpar, efetuar manutenção ou quando não estiver em uso!



Coleta de pó necessária ou recomendada.



Construção de classe II (isolamento duplo para proteção adicional)



Proteção ambiental

O descarte de produtos elétricos não deve ser feito no lixo doméstico. Faça a reciclagem em locais próprios para isso. Consulte as autoridades locais ou seu revendedor para saber como reciclar.



Cumpra a legislação e os padrões de segurança aplicáveis.

Abreviações técnicas

V	Volts
~	Corrente alternada
A	Ampere, miliampere
Hz	Hertz
W, kW	Watt, Kilowatt
min ⁻¹	Rotações por minuto

Especificação

Modelo:	CMT7E
Voltagem:	220 - 240 V~ 50/60 Hz
Máx. potência de entrada:	9,1A
Max. potência:	2400 W (3,25 CV de pico)
Velocidade sem carga:	8000 a 21000 min ⁻¹
Pinça/engaste:	8 e 12 mm
Diâmetro máximo da ferramenta de corte (Imersão livre):	55 mm (2-3/16")
Tamanho máximo da pinça/engaste:	½" (RUS: 12,7 mm)
Ajuste de altura:	1) Imersão livre 2) Bobinador de altura da mesa 3) Microbobinador (ajuste fino)
Curso de imersão:	0 a 68 mm
Proteção de entrada:	IPX0
Classe de isolamento:	□
Comprimento do cabo elétrico:	3 m
Dimensões (C x L x A):	180 x 300 x 310 mm
Peso:	6,5 kg
Como parte do desenvolvimento de nossos produtos, as especificações da CMT podem ser alteradas sem aviso.	
Informações sobre ruído e vibração	
Pressão sonora L_{WA}:	84,2 dB (A)
Potência sonora L_{WA}:	95,2 dB (A)
Incerteza K:	3 dB (A)
Vibração ponderada a_w:	5,4 m/s ²
Incerteza K:	1,5 m/s ²

O nível de intensidade sonora para o operador poderá exceder 85 dB (A) e medidas de proteção auditiva são necessárias.

AVISO: Use sempre proteção auditiva apropriada, quando o ruído da ferramenta ultrapassar 85 dB (A), e limite o tempo de exposição ao mínimo necessário. Caso os níveis de ruído se tornem desconfortáveis, mesmo com proteção auditiva, pare imediatamente de usar a ferramenta e verifique se a proteção auditiva está ajustada de forma correta, de modo prover a atenuação sonora correta, para o nível de ruído produzido pela ferramenta.

AVISO: A exposição do usuário à vibração da ferramenta pode resultar em perda de sentido do tato, dormência, formigamento e diminuição da capacidade de agarrar. A exposição por longo prazo pode levar a uma condição crônica. Caso necessário, limite o período de tempo que fica exposto à vibração e use luvas antivibração. Não use a ferramenta com as mãos expostas a uma temperatura abaixo da temperatura normal confortável, uma vez que a vibração tem mais impacto nessa condição. Use os valores fornecidos na especificação relativa a vibrações, para calcular a duração e frequência de uso da ferramenta.

AVISO: A produção de vibração, durante o uso atual da ferramenta elétrica, pode diferir do valor total declarado, dependendo da forma como a ferramenta é usada. Existe a necessidade de identificar medidas de segurança para proteger o operador, as quais são baseadas em uma estimativa de exposição nas condições reais de uso (levando em consideração todas as partes do ciclo de operação, como os momentos em que a ferramenta é desligada, quando está funcionando sem carga e o tempo de acionamento).

O valor total declarado de vibração foi determinado de acordo com o método de teste padrão, e pode ser usado para se comparar uma ferramenta com outra. O valor total declarado de vibração também pode ser usado em uma avaliação preliminar de exposição.

Os níveis sonoros da especificação são determinados de acordo com padrões internacionais. Os valores consideram o uso normal da ferramenta, sob condições de trabalho normais. Uma ferramenta montada, mantida ou usada incorretamente, poderá produzir níveis de ruído, e de vibração, superiores: O site www.osha.europa.eu fornece mais informações sobre níveis de vibração e ruído em locais de trabalho, e pode ser útil para usuários domésticos que usam ferramentas por longos períodos de tempo.

Avisos de segurança geral da ferramenta

AVISO: Leia todos os avisos, instruções, ilustrações e especificações fornecidas com esta ferramenta. O incumprimento das instruções abaixo pode resultar em choque elétrico, incêndio e/ou ferimentos graves.

Guarde todos os avisos e instruções para consulta futura.

O termo "ferramenta elétrica", nos avisos, se refere a uma ferramenta que usa alimentação da rede elétrica (com cabo elétrico) ou uma bateria (sem cabo elétrico).

1) Segurança na área de trabalho

- Mantenha a área de trabalho limpa e bem iluminada. Áreas desorganizadas ou escuras facilitam os acidentes.
- Não opere ferramentas elétricas em atmosferas explosivas, como na presença de líquidos, gases ou aparas inflamáveis. Ferramentas elétricas produzem faíscas que podem inflamar a aparas ou gases.
- Mantenha as crianças e observadores à distância, quando operar ferramentas elétricas. Distrações podem fazer você perder o controle.

2) Segurança elétrica

- A ficha macho da ferramenta deve ser compatível com a tomada de parede. Nunca modifique uma ficha, de maneira alguma. Nunca use fichas adaptadas em ferramentas elétricas com fio terra (aterradas). Conectores sem modificações e tomadas corretas reduzem o risco de choques elétricos.
- Evite o contato entre o seu corpo e materiais condutores tais como tubos, radiadores, extensões e refrigeradores. O risco de descarga elétrica aumenta se o seu corpo estiver exposto a materiais condutores.
- Não deixe as ferramentas elétricas expostas a chuva ou condições húmidas. A água que entra em uma ferramenta elétrica, aumenta o risco de choque elétrico.
- Não abuse do cabo elétrico. Nunca use o cabo para carregar, puxar ou desconectar a ferramenta elétrica. Mantenha o cabo longe de calor, óleo, bordas afiadas ou peças móveis. Cabos danificados ou emaranhados aumentam o risco de choque elétrico.
- Quando operar uma ferramenta elétrica ao ar livre, use um cabo de extensão adequado para uso externo. A utilização de um cabo adequado para uso externo reduz o risco de choque elétrico.
- Se o uso da ferramenta elétrica em local húmido for inevitável, use uma fonte de alimentação protegida com Dispositivo de Corrente Residual (DR). O uso de um DR reduz o risco de choque elétrico.
- Quando usada na Austrália ou Nova Zelândia, recomenda-se que esta ferramenta seja SEMPRE alimentada através de um Dispositivo de Corrente Residual (DR), com corrente residual nominal de 30mA ou menos.

h) Use um cabo de extensão elétrico adequado. Certifique-se de que o cabo de extensão está em boas condições. Quando usar um cabo de extensão, assegure-se de que suporta a corrente consumida pelo produto. Um cabo subestimado provocará uma queda na tensão de alimentação e resultará em perda de potência e sobreaquecimento.

3) Segurança pessoal

- Mantenha-se alerta, preste atenção no que faz e use de bom senso enquanto opera a ferramenta elétrica. Não use ferramentas elétricas quando estiver cansado ou sob influência de drogas, álcool ou medicamentos. Um momento de desatenção, quando se opera uma ferramenta elétrica, pode resultar em ferimentos pessoais graves.
- Use equipamentos de proteção individual. Use sempre proteção ocular. Equipamentos de proteção como máscara respiratória, calçados de proteção antiderrapantes, capacete ou protetores auditivos, usados de acordo com as condições apropriadas, reduzem a ocorrência de ferimentos.
- Evite arranques inesperados. Certifique-se de que o interruptor está na posição desligada, antes de conectar a ferramenta à fonte de alimentação e/ou bateria, quando estiver transportando a ferramenta. Transportar ferramentas elétricas com o seu dedo no interruptor ou ligar ferramentas elétricas com o interruptor na posição ON, propicia acidentes.
- Remova todas as chaves ou ferramentas de trabalho, antes de ligar a ferramenta elétrica. Uma chave deixada numa peça rotativa da ferramenta elétrica poderá resultar em ferimentos.
- Não se estique demais. Mantenha sempre o equilíbrio e os pés em local firme. Isto permite um melhor controle da ferramenta em situações inesperadas.
- Vista-se apropriadamente. Não use joias, nem roupas largas. Mantenha cabelos e roupas longas das peças móveis. Roupas largas, joias e cabelos longos podem ficar presos nas peças móveis.
- Se for utilizar dispositivos para a aspiração e coleta de pó, assegure-se de que estejam conectados e sejam usados corretamente. O uso da coleta de pó pode reduzir os riscos associados à exposição ao pó.
- Não deixe que a familiaridade adquirida com o uso da ferramenta o torne complacente e ignore os princípios de segurança da ferramenta. Uma ação descuidada pode causar ferimentos sérios, numa fração de segundo.
- Use e cuidados com a ferramenta elétrica
 - Não force a ferramenta elétrica. Use a ferramenta correta para sua aplicação. A ferramenta correta fará o trabalho melhor e com mais segurança, com a produtividade para a qual foi projetada.
 - Não use a ferramenta elétrica se o interruptor liga/desliga não estiver funcionando. Qualquer ferramenta que não puder ser controlada com o interruptor liga/desliga é perigosa e deve ser consertada.
 - Desconecte o conector de tomada da rede elétrica e/ou remova a bateria da ferramenta, antes de realizar quaisquer ajustes, trocar acessórios ou de guardá-la. Estas medidas de segurança previnidas reduzem o risco de se ligar a ferramenta por acidente.
 - Guarde a ferramenta elétrica fora do alcance de crianças, quando não estiver em uso, e não permita que pessoas não familiarizadas com a ferramenta, e com estas instruções, a operem. Ferramentas elétricas são perigosas nas mãos de pessoas não treinadas.
 - Preservação da ferramenta elétrica e acessórios. Verifique o alinhamento ou emperramento das peças móveis, se existem peças quebradas ou outra condição que possa afetar a operação da ferramenta. Se a ferramenta estiver danificada, providencie o conserto, antes de usá-la. Muitos acidentes são causados por ferramentas mal conservadas.
 - Mantenha as ferramentas de corte limpas e afiadas. Ferramentas de corte com arestas afiadas, quando mantidas corretamente, são menos propensas a encravar e mais fáceis de controlar.
 - Use a ferramenta elétrica, seus acessórios e outros elementos de acordo com estas instruções, considerando as condições de trabalho e o serviço a ser executado. O uso da ferramenta para operações diferentes daquelas para as quais foi projetada pode resultar em uma situação de risco.
 - Mantenha os punhos secos, limpos e livres de óleo e massas. Punhos escorregadios não são seguros para o manuseio e controle da ferramenta em situações inesperadas.
- Serviço
 - Entregue sua ferramenta para reparos a pessoal técnico qualificado, que use apenas peças de reposição originais. Isto garantirá que a ferramenta continuará oferecendo segurança.

Segurança adicional para tupidias



AVISO:

- **Segure a ferramenta elétrica apenas pelos punhos e superfícies aderentes isoladas, uma vez que a ferramenta poderá cortar o próprio cabo da máquina.** O corte de um cabo eletrificado ("vivo") poderá eletrificar as partes metálicas da ferramenta, provocando um choque no operador.
- **Use um grampo ou outra forma prática de apoiar e prender a peça de trabalho a uma plataforma firme.** Segurar a peça de trabalho com a mão ou contra o corpo é instável e poderá levar à perda de controle
- **Caso seja necessário trocar o cabo de alimentação, isto deverá ser feito pelo fabricante ou seu agente autorizado, de modo a evitar riscos.**
- **Recomenda-se que a ferramenta seja sempre alimentada por meio de um dispositivo de corrente residual (DR) com especificação nominal de 30 mA ou menos.**
- a) **Use equipamento de segurança, incluindo óculos ou viseira, proteção auricular, máscara contra pó e roupa de proteção, incluindo luvas.**
- b) **Panos, cabos, cordões, etc nunca devem ser deixados na área de trabalho.**
- c) **Assegure-se de que a voltagem de alimentação da rede elétrica é igual à voltagem indicada na placa de identificação da ferramenta.**
- d) **Certifique-se de que todas as extensões de cabo elétrico, usadas com esta ferramenta, estão em boas condições de segurança, e possuem a capacidade de amperagem exigida pela ferramenta.**
- e) **Desenrole completamente as extensões de cabo para evitar possíveis sobreaquecimentos.**
- f) **Use os detectores apropriados para determinar a existência de possíveis canalizações de gás, água e eletricidade, localizadas abaixo da superfície de trabalho. Consulte as empresas fornecedoras de água, gás ou eletricidade, se for o caso.** O contacto com canalizações elétricas poderá provocar choques elétricos e incêndios. Danificar uma canalização de gás poderá levar a uma explosão. Similarmente, o contacto com canalizações de água poderá causar grandes danos na instalação.
- g) **Assegure-se de que todos os objetos embutidos da peça de trabalho, como pregos e parafusos, foram removidos antes de começar a operação.**
- h) **Manuseie as brocas e fresas da tupidia com cuidado, pois podem estar extremamente afiadas.**
- i) **Antes do uso, verifique a ferramenta com cuidado em busca de sinais de danos ou massas. Substitua fresas danificadas ou com massas imediatamente.**
- j) **Assegure-se de manter as brocas/fresas corretamente afiadas.** Arestas de corte cegas poderão provocar situações de descontrolo, incluindo o travamento da ferramenta, aumento de calor e eventuais ferimentos.
- k) **Use SEMPRE ambas as mãos e segure a tupidia firmemente antes de continuar qualquer trabalho.**
- l) **Mantenha os punhos e superfícies aderentes limpas, secas e livres de óleo e massas, para garantir que a ferramenta pode ser agarrada com firmeza durante o uso.**
- m) **Antes de usar a ferramenta para fazer um corte, ligue-a e deixe-a funcionar durante um tempo.** Vibração pode indicar que a broca ou fresa está instalada de forma incorreta.
- n) **Observe o sentido de rotação da fresa e a direção de alimentação da peça de trabalho.**
- o) **Mantenha as suas mãos longe da área de corte e da ferramenta de corte.** Ponha a sua segunda mão no punho auxiliar ou numa superfície aderente isolada.
- p) **NUNCA ligue a tupidia com a ferramenta de corte em contacto com a peça de trabalho.**
- q) **Assegure-se sempre de que a mola da tupidia está instalada, quando for realizar cortes segurando a tupidia com as mãos.**
- r) **Assegure-se de que a ferramenta de corte parou completamente antes de colocá-la na posição travada da pinça.**
- s) **A velocidade máxima da ferramenta de corte deve ser pelo menos tão elevada quanto a velocidade máxima da ferramenta elétrica.**
- t) **As brocas/fresas da tupidia poderão ficar quentes durante a operação.** Não as manuseie imediatamente após o uso para evitar riscos de queimaduras.
- u) **Não permita que as peças entrem em contacto com os materiais inflamáveis.**
- v) **O tamanho do encabadouro da ferramenta de corte da tupidia deve corresponder exatamente ao tamanho da pinça da tupidia.** Ferramentas de corte/fresas instaladas incorretamente na tupidia irão girar de forma irregular e produzir mais vibração, o que poderá provocar uma perda de controle.
- w) **Não pressione o botão de bloqueio, ou tente trocar a ferramenta enquanto a tupidia estiver em funcionamento.**
- x) **Mantenha a pressão constante enquanto estiver a cortar a peça de trabalho, deixando que a broca dite a velocidade de corte.** NÃO force a ferramenta, o que sobrecarregaria o motor.
- y) **Certifique-se de que as etiquetas com as especificações da tupidia podem ser lidas com facilidade e troque-as caso não possam ser lidas com clareza ou estejam danificadas.**
- z) **Quando operar a tupidia, esteja preparado para o encrave da ferramenta de corte na peça de trabalho, que pode provocar uma perda de controle.** Assegure-se sempre de que está a segurar a tupidia firmemente e de que solta o botão liga/desliga imediatamente, caso essa condição seja perdida.

Após ligar a tupidia, verifique se a fresa da tupidia está a girar de maneira uniforme (sem "oscilar") e se não existe vibração adicional devido a instalação incorreta da fresa. O uso da tupidia com uma fresa instalada incorretamente poderá provocar perda de controle e ferimentos graves.

- **Deve ser tomado cuidado EXTREMO quando se usam ferramentas de corte com diâmetro maior do que 50 mm (2").** Use taxas de alimentação muito lentas e/ou múltiplos cortes rasos, para evitar sobrecarga do motor.
- **Desligue SEMPRE a tupidia e aguarde que a ferramenta de corte pare completamente de girar, antes de retirá-la da peça de trabalho.**
- **Desconecte a ferramenta da alimentação elétrica, antes de realizar qualquer ajuste, manutenção ou limpeza.**
- **Mesmo quando a ferramenta é usada conforme prescrito, não é possível eliminar todos os fatores de risco residuais.** Se você não tiver certeza da maneira correta e segura de usar esta ferramenta, não tente usá-la.



AVISO: Os pó produzidos pelo uso de ferramentas elétricas podem ser tóxicos. Alguns materiais podem ter tratamento ou revestimento químico e criar um risco tóxico. Alguns materiais naturais ou compostos podem conter substâncias tóxicas. Algumas pinturas velhas poderão conter chumbo ou outros substâncias químicas. Evite a exposição prolongada ao pó produzido pela operação da tupidia. NÃO permita que o pó atinja a sua pele ou olhos, e não deixe que entre na sua boca, de modo a evitar a absorção de substâncias químicas nocivas. Sempre que possível, trabalhe numa área bem ventilada, use uma máscara contra poeira e um sistema de aspiração de pó. Onde houver uma frequência de exposição maior, é aconselhado que todas as precauções de segurança sejam seguidas e que seja usado um maior nível de proteção individual.

Familiarização com o produto

1. Batentes da torre
 2. Mandril
 3. Batente de profundidade
 4. Respiros laterais
 5. Trava do batente de profundidade
 6. Motor
 7. Tampa retrátil do interruptor de energia
 8. Interruptor liga/desliga
 9. Tampas de acesso às escovas do motor
 10. Controlador de velocidade
 11. Alavanca de trava de imersão
 12. Protetores de segurança
 13. Parafusos de fixação da base
 14. Ponto de conexão do bobinador de altura da mesa
 15. Bocal de extração de pó
 16. Trava automática do eixo
 17. Anel de engate da manivela do bobinador
 18. Botão de seleção de imersão
 19. Manivela do bobinador
 20. Microbobinador
 21. Tampa de acesso à mola de imersão
 22. Conexão da chave de bloqueio NVR
 23. Guia paralela
 24. Pinça/Engaste (x 2)
 25. Bobinador de altura da mesa
 26. Chave de boca
 27. Suporte pivô de corte circular
 28. Base estendida
 29. Chave de bloqueio
 30. Parafusos (1/4 UNC x 4) para fixação na mesa de trabalho CMT (acessório 990.467.00)
- fig. II**
- A. 1/4 UNC x 4
 - B. M6 x 3
 - C. Orifício para a manivela de ajuste de altura

Uso Pretendido

Tupia de precisão manual para uso com fresas de tupia de até 1/2" e 12 mm, dependendo da pinça instalada. Usada para corte de perfis, ranhuras, bordas e furos alongados em madeira natural e composta. Também usado com escovas guia e moldes para corte de formas, uso de padrões como guias, bem como na instalação estacionária em sistemas de mesa de tupia compatíveis.

A ferramenta só deve ser usada para a finalidade prescrita. Qualquer tipo de uso não mencionado neste manual será considerado um caso de mau uso. O usuário, e não o fabricante, é responsável por todos os danos e ferimentos decorrentes dos casos de mau uso. O fabricante não se responsabilizará por modificações feitas na ferramenta, nem por quaisquer danos que resultem de tais modificações.

Desembalagem da sua ferramenta

- Desembale e inspecione cuidadosamente a sua ferramenta. Familiarize-se com todos os seus recursos e funções.
- Assegure-se de que todas as partes da ferramenta estão presentes e em boas condições.

Antes do uso

AVISO: Assegure-se de que a ferramenta está desconectada da fonte de alimentação, antes de instalar ou trocar acessórios, ou fazer quaisquer ajustes.

AVISO: Periodicamente, durante o uso prolongado ou quando a tupia tiver sido transportada ou derrubada, verifique se a Tampa de acesso à mola de imersão (21) está corretamente posicionada e fixa no lugar. Ela deve ficar paralela ao corpo da ferramenta, sem folga visível, e o parafuso de fixação deve estar localizado corretamente para evitar que a tampa de acesso da mola de imersão desentrosque acidentalmente, consulte a Imagem O. A mola de imersão fica comprimida com força suficiente e pode causar ferimentos graves se for projetada de forma descontrolada. Siga sempre as instruções, cuidadosamente, ao remover e substituir a mola de imersão.

Instalação da pinça(engaste) e ferramenta de corte

Nota: Use luvas de proteção quando instalar e remover ferramentas de corte devido às arestas afiadas.

- Coloque a mesa de cabeça para baixo sobre uma superfície firme e plana, com o motor (6) totalmente parado e o cabo de energia desconectado da tomada de energia.
- Emiça a tupia até sua profundidade máxima, pressionando o Anel de engate da manivela do bobinador (17) (Imagem B) para dentro, e girando a manivela do bobinador (19), no sentido horário, até que a pinça/engaste (24) saia para fora da base.

Nota: Assegure-se de que o batente de profundidade (3) esteja completamente retraído (ver "Batente e torre de profundidade"). A pinça/engaste deve sobresair na base, permitindo acesso fácil com uma chave de boca.

- Usando a chave (26) fornecida, solte a pinça/engaste, girando-a no sentido anti-horário até à sua remoção.
- Selecione a pinça/engaste desejada e instale-a no mandril (2), aparafusando-a no sentido horário.
- Insira a ferramenta de corte na pinça/engaste, garantindo que pelo menos 20 mm (13/16"), ou metade do encabudoiro (o que for maior), estão inseridos, e use a chave para girar a pinça/engaste levemente, permitindo que o encabudoiro engaste (Imagem C). Uma vez engatado, gire a chave no sentido horário para apertar a ferramenta de corte.
- Retorne a tupia para a profundidade normal de operação. Isto desengatará a trava da pinça/engaste e liberará a tampa retrátil, permitindo o acesso ao interruptor de energia Liga/Desliga (8).

Bocal de extração de pó

Nota: A tupia CMT é equipada com um bocal de extração de pó (15) para aspiração das aparas por cima do corte. O bocal aceita a mangueira de 38 mm (1 1/2") de diâmetro externo.

- A mangueira de extração de pó aparafusa-se na posição por meio da rosca invertida (aperta no sentido anti-horário) (Imagem D).

Instalação da extensão da base e da guia

- Localize os parafusos de fixação da base (13) e solte-os completamente. Isto permitirá que os parafusos de fixação engatem nos furos de fixação da extensão da base (28).
- Vire ambas, a tupia de imersão e a extensão da base, de cabeça para baixo.
- Empurre os parafusos de fixação da base para dentro da tupia de imersão, de forma a expor as pontas dos parafusos de fixação.
- Alinhe os parafusos de fixação com os furos de fixação da tupia na extensão da base, e deslize-os para dentro das fendas (Imagem K).

Nota: A orientação da extensão da base depende de onde se requer o suporte. Para o trabalho de borda, localize o interruptor Liga/Desliga (8) no lado curto e suspenso da base.

- Aperte os parafusos de fixação da extensão da base da tupia de imersão, com firmeza, para a fixar.
- Para instalar a Guia (23), solte os parafusos e deslize a Guia ao longo das ranhuras da extensão da base (Imagem L). Trave na configuração requerida, apertando ambos os parafusos da guia.

Nota: Quando a tupia trabalhar a uma certa distância da borda, instale a guia na extremidade mais comprida da extensão da base.

Nota: Quando efetuar serviços em bordas com uma ferramenta de corte que não possui guias com rolamentos, encaixe a Guia na extremidade curta da base (Imagem J).

Nota: Se usar uma ferramenta de corte de diâmetro grande, poderá ser necessário prender blocos de madeira nas faces da guia, através dos furos dos parafusos, para garantir que a ferramenta não entre em contato com a Guia.

Operação

AVISO: Use SEMPRE proteção ocular, auricular e respiratória, bem como luvas apropriadas, quando trabalhar com esta ferramenta.

Ligar e desligar

Nota: Quando a tupia está conectada à fonte de energia elétrica, o interruptor Liga/Desliga (8) acenderá em ambas as posições 'Liga' e 'Desliga'.

Nota: A tampa retrátil do interruptor de energia (7) impede que a tupia seja ligada acidentalmente. Ela deve ser retraída para que a tupia possa ser ligada. A tampa retrátil do interruptor de energia permanecerá aberta até que a tupia seja desligada.

- Assegure-se de que a tupia não tocará em nenhum objeto quando estiver ligada e no alcance máximo de seu espaço de movimentação possível.
- Conecte o cabo de energia na tomada da rede elétrica e deslize a tampa retrátil do interruptor de energia para trás, para destapar o interruptor Liga/Desliga.
- Pressione o interruptor Liga/Desliga na posição 'I' para ligar a tupia. Enquanto o interruptor Liga/Desliga estiver nessa posição, a tampa retrátil do interruptor de energia ficará impedida de cobrir o interruptor Liga/Desliga.
- Para desligar, pressione o interruptor Liga/Desliga na posição 'O'. A tampa retrátil deslizará automaticamente para a sua posição original.

Controlo de velocidade variável

Nota: As configurações de velocidade da tupia não são críticas. Geralmente, deve ser usada a maior velocidade que não provoque marcas de queimadura na peça de trabalho. Siga sempre os limites de velocidade especificados pelo fabricante, quando apresentados.

- A operação em velocidades mais baixas aumenta o risco de danos à tupia devido à sobrecarga. Use velocidades de avanço da peça de trabalho muito lentas e/ou faça múltiplos cortes rasos.
- O controlador de velocidade (10) tem marcas de 1 a 5, que correspondem aproximadamente às velocidades e diâmetros de cortes mostrados abaixo. Gire o botão para selecionar a velocidade requerida.

Configuração	RPM	Diâmetro da ferramenta de corte
5	21.000	Até 25 mm (1")
4	18.000	25 - 50 mm (1" - 2")
3	14.500	50 - 65 mm (2" - 2-1/2")
2	11.000	Mais de 65 mm (2-1/2")
1	8.000	Usar apenas se estiver a queimar

Ajuste de profundidade de corte

IMPORTANTE:

EXISTE POSSIBILIDADE DE DANIFICAR O MECANISMO DA TUPIA, CASO NÃO SIGA ESTAS INSTRUÇÕES

Assegure-se SEMPRE de que a Alavanca da trava de imersão (11) está destravada, ajustando-a na posição mais alta, antes de ajustar a profundidade de corte, usando os métodos de 'imersão livre' ou 'Ajuste de bobinador', descritos abaixo.



Nota: Para travar a tupa numa determinada profundidade de corte, empurre a cabeça da tupa para baixo e gire a alavanca de trava de imersão (11) para a posição mais baixa. Isto manterá a cabeça da tupa na sua posição.

Existem três métodos de ajuste da profundidade de corte, dependendo da precisão e controle requeridos:

Imersão livre

1. Ajustes livres de profundidade podem ser efetuados com o Botão de seleção de imersão (18) engatado. Pressione o botão de seleção de imersão para dentro do manípulo até que ele engate lá dentro (Imagem A)
2. **Solte a Alavanca de trava de imersão (11)** e empurre o corpo da tupa até que a profundidade desejada seja atingida. Trave novamente a Alavanca de trava de imersão

Ajuste da manivela do bobinador

1. Os ajustes de profundidade de imersão podem ser feitos girando-se a Manivela do bobinador (19)
2. Desengate o botão de seleção de imersão (18), e assegure que o botão não interfere com a manivela do bobinador.
3. Para soltar a manivela, puxe o Anel de engate da manivela do bobinador (17) para dentro (Imagem B)
4. **Solte a Alavanca da trava de imersão (11)** e gire a Manivela do bobinador até atingir a profundidade de corte desejada. Solte o Anel de engate da manivela do bobinador e trave a Alavanca da trava de imersão.

Microbobinador

Nota: Para uso apenas com o modo de imersão da Manivela do bobinador (19).

1. Desengate o botão de seleção de imersão (18) e **garanta que a alavanca de trava de imersão (11) está destravada.**

Nota: Se o microbobinador (20) for girado com a alavanca da trava de imersão engatada, o microbobinador emitirá o som de cliques e a profundidade de corte permanecerá inalterada.

2. Gire o microbobinador no sentido horário para aumentar a profundidade de corte e no sentido anti-horário para reduzir a profundidade de corte. Ajuste a profundidade de corte até ser alcançada a altura desejada.

Nota: Quando for atingida o final da escala de ajuste de profundidade, o microbobinador oferecerá maior resistência e começará a emitir o som de cliques.

3. Engate a alavanca de trava de imersão, particularmente nos cortes pesados.

Batente de profundidade e da torre

1. O batente de profundidade (3) e os batentes da torre (1) são usados para pré-configurar três profundidades de corte diferentes.
2. Solte a Trava do batente de profundidade (5), retraia totalmente o Batente de profundidade e reaperte (Imagem F).
3. Ajuste a escala de medição nas profundidades de imersão requeridas, usando as escalas de medição fixas da torre (Imagem G).

Nota: Para alterar a escala de medição da torre, gire todo o conjunto da torre para que fique alinhado com o Batente de profundidade.

4. Com a ferramenta de corte desejada instalada na pinça/engaste (24), ajuste a profundidade de imersão até que a ponta da ferramenta de corte toque na peça de trabalho.
5. Gire a torre até que a escala de medição da torre esteja alinhado com o Batente de profundidade. Solte o batente, permitindo que ele cubra a escala e reaperte a Trava do batente de profundidade. A profundidade de imersão está, agora, em zero.
6. Gire os batentes da torre até à escala de medição estar na profundidade de imersão desejada e alinhada com o Batente de profundidade.

Realização de cortes

Nota: NUNCA use a tupa sem algum tipo de guia. Podem ser usadas como guias, fresas de tupa guiada por rolamentos, as guias fornecidas ou uma borda reta (Imagem I).

1. Segure SEMPRE a tupa com ambas as mãos, pelos punhos existentes. Garanta que a peça de trabalho não se move. Use grampos sempre que possível.
2. Deixe que o motor atinja a velocidade de operação normal.
3. Baixe a ferramenta da tupa na peça de trabalho enquanto desloca a tupa lentamente, mantendo a base firme contra a peça de trabalho.
4. Caso esteja a cortar uma borda, a peça de trabalho deve ficar no lado esquerdo em relação ao sentido de corte (Fig. I). Mantenha a pressão constante e deixe a ferramenta trabalhar uniformemente no material. Esteja ciente de que nós e outras variações na madeira vão diminuir o avanço.

Nota: Para evitar trepidação da ferramenta, oriente o corte no sentido anti-horário, no caso de cortes externos, e no sentido horário, no caso de corte internos.

Nota: A movimentação rápida demais da tupa poderá resultar em baixa qualidade do acabamento e sobrecarga do motor (6). Mover a tupa muito lentamente poderá resultar no sobreaquecimento da peça de trabalho.

Nota: Na operação normal de uma tupa, a cabeça de corte deve imergir quando a tupa é ligada.

Nota: Não use a tupa de cabeça para baixo, a menos que seja fixada firmemente numa mesa de tupa com as devidas proteções (por ex. mesa da marca CMT).

Realização de cortes de múltiplas passagens

1. O Batente da torre (1) permite que a máxima profundidade de corte seja atingida, num número de passagens de corte determinado pelo operador. Cada passo de corte da torre pode ser pré-ajustado através do ajuste do seletor rotativo na escala de medição da torre.
2. Gire o Batente da torre de modo que o Batente de profundidade (3) entre em contacto com a escala de medição da torre que possui o ajuste mais elevado, quando a tupa é imersa. A primeira passagem de corte poderá, então, ser efetuada.
3. Continue a realizar passagens, girando o batente da torre e ajustando a profundidade da escala de medição da torre a cada passagem, se necessário, até que a profundidade total de corte seja atingida.

Corte em círculos

1. Encaixe a extensão de base (28) na tupa, sem o acessório da guia (23).
2. Remova o Suporte pivô de corte circular (27) da extensão de base e prenda-o no centro da peça de trabalho, usando um parafuso ou prego pequeno, através de um dos furos do suporte pivô, (figura M). Deixe o parafuso do suporte pivô na posição correta.
3. Baixe a tupa e extensão de base sobre o suporte pivô e reinstale a anilha e porca borboleta (Imagem N).
4. Com a energia desligada, gire a tupa ao longo do trajeto desejado para verificar o círculo, e faça os ajustes necessários.
5. Corte o círculo em várias passagens, baixando a profundidade de corte em aproximadamente 2 mm (3/32") a cada passagem. (Imagem N). Não tente cortar mais profundamente do que isso numa única passagem.
6. Cortes diretos: Caso pretenda fazer um corte direto, prenda uma tábua de material descartável na parte inferior da peça de trabalho. Faça o primeiro corte circular com um diâmetro maior e depois reduza o diâmetro até atingir o tamanho requerido, usando passagens leves de profundidade total.

Operação em mesa

Nota: A instalação e utilização desta tupa numa mesa de trabalho devem ser realizadas de acordo com a documentação fornecida com a mesa de tupa.

Nota: Embora este produto tenha sido desenhado para operar de forma eficiente e conveniente com a maioria das mesas de tupa, ele é particularmente adequado às Mesas de tupa CMT.

Nota: Os ajustes de tupa são extremamente fáceis devido às características exclusivas descritas anteriormente neste manual. Consultar 'Instalação e troca de ferramentas de corte' e 'Ajuste da profundidade de corte'.

IMPORTANTE: A mola de imersão DEVE ser removida antes que esta tupa seja instalada numa mesa:

1. Ajuste a tupa na profundidade máxima de imersão e engate a alavanca de trava de imersão (11).
2. Solte algumas voltas do pequeno parafuso que fica próximo à Tampa de acesso à mola de imersão (21), Imagem O.
3. Use a palma da sua mão, aplique pressão para baixo na Tampa de acesso à mola de imersão e segure-a firmemente com a outra mão, para evitar que a mola de imersão a arremesse para cima quando libertada. Enquanto mantém a pressão para baixo e um aperto firme, gire a Tampa de acesso da mola de imersão, no sentido anti-horário, para removê-la (Imagem P).

AVISO: A mola de imersão é comprimida com grande força para permitir uma ação de mergulho suave. A tampa de acesso da mola de imersão e a mola de imersão serão arremessadas, rapidamente, com a mesma força depois de serem desparafusadas. Tenha cuidado para não remover a tampa de acesso da mola de imersão de forma não controlada, o que poderá causar ferimentos pessoais.

4. Permita que a Tampa de acesso à mola de imersão suba, lentamente, até que esteja solta (Imagem Q).
5. Remova a mola e guarde-a num lugar seguro.

6. Reinstale a Tampa de acesso à mola de imersão e reaperte o parafuso.

AVISO: Ao reinserir a mola de imersão, verifique cuidadosamente se a tampa de acesso à mola de imersão está apertada corretamente. Ela deve ficar paralela ao corpo da ferramenta, sem folga visível, e o parafuso de fixação deve estar posicionado corretamente para evitar que a tampa de acesso à mola de imersão se desparafuse acidentalmente.

NOTA: Certifique-se de reinstalar a mola de imersão antes de usar a tupa operações manuais.

IMPORTANTE: Antes de montar a tupa sob a mesa da tupa, certifique-se de que o trava do batente de profundidade (5) está solto e a alavanca da trava de imersão (11) está na posição destravada.

- O ajuste de altura da mesa (25) engata com o Ponto de conexão do ajuste de altura da mesa (14) para permitir um ajuste de altura fácil acima da mesa, quando a tupa é instalada numa mesa.

Instalação da chave de bypass sem voltagem:

A tupa CMT7E possui uma função de bloqueio de segurança (NVR), quando não existe tensão que evita que o motor reinicie automaticamente após uma interrupção de energia. Para reiniciar a ferramenta, o interruptor deve ser retornado para a posição OFF, antes de se ligar a ferramenta, novamente. Quando usada com a Mesa de tupa CMT ou com uma Mesa de tupa de terceiros, que tem sua própria proteção NVR, esta função pode ser ignorada inserindo-se a chave de bypass (NVR) (29). Permitindo, assim, que a operação ON / OFF da ferramenta seja controlada pelo interruptor ON/OFF da mesa de tupa.

1. Aparafuse a Chave de bypass NVR dentro da conexão da chave de bypass NVR (22) e aperte suavemente com a mão (Imagem U).
2. Fixe o suporte na parte inferior da Mesa de tupa (Imagem U).
3. Ligue a tupa (Posição ON) e, depois, use o interruptor ON/OFF da Mesa de tupa para controlar a tupa.

AVISO: Só use a Chave de bypass NVR quando a tupa estiver conectada a uma fonte de alimentação que seja protegida por um sistema de bloqueio de segurança, como na Mesa de tupa CMT. Certifique-se SEMPRE de que o suporte está conectado à mesa de tupa, para evitar a remoção acidental da tupa sem remover a chave de bypass.

Importante

1. Para montar a tupa na mesa de trabalho da CMT, ou noutra mesa que tenha construído, remova os 4 parafusos da base de plástico preta indicada na imagem S.
2. Existem dois tipos de parafusos tal como é mostrado na fig. II.
 - A: Existem 4x parafusos UNC (usados para fixar a base da tupa), e que também são compatíveis com as Mesas CMT.
 - B: Conjunto 3 parafusos M6
3. Use os 4 parafusos incluídos (30) para instalar a tupa nas mesas CMT.

Nota: Os parafusos M6 não estão incluídos nas versões anteriores da tupa CMT7E (2022)

Acessórios

Pode ainda encontrar disponível uma vasta gama de acessórios e peças de substituição no seu revendedor CMT, tais como:

- Uma ampla seleção de fresas e porta-lâminas
- Bases para a tupa com pré furação (imagem H) para acessórios CMT
- Guias de corte
- Pinças
- Escovas de carbono

Manutenção

AVISO: Desconecte SEMPRE a ferramenta da alimentação elétrica, antes de realizar qualquer manutenção/limpeza.

Inspeção geral

- Verifique regularmente se todos os parafusos de fixação estão apertados.
- Inspeção o cabo de energia da ferramenta, antes de cada utilização, em busca de desgaste ou danos. As reparações devem ser realizadas num Centro de Serviços Autorizado da CMT. Isto também se aplica aos cabos de alimentação elétrica da ferramenta.

Limpeza

AVISO: Use SEMPRE equipamento de proteção, incluindo proteção ocular e luvas, quando limpar esta ferramenta.

- Mantenha a sua ferramenta limpa o tempo todo. A sujidade e o pó produzem um desgaste adicional das peças internas e encurtam a vida útil da ferramenta.
- Limpe o corpo da ferramenta com uma escova macia e um pano seco.
- Nunca use agentes cáusticos para limpar peças plásticas. Caso não seja suficiente uma limpeza seca, recomenda-se o uso de um pano húmido com detergente suave.
- A ferramenta nunca deve entrar em contato com a água.
- Assure-se de que a ferramenta está completamente seca, antes de usá-la.
- Se houver ar comprimido disponível, use-o para soprar a sujidade nos orifícios de ventilação (onde aplicável).

Lubrificação

- Lubrifique ligeiramente todas as peças móveis em intervalos de tempo regulares, usando um lubrificante aerossol adequado.

Escovas

- Com o tempo, as escovas de carbono do motor poderão ficar gastas.
- Escovas excessivamente gastas, podem causar perda de potência, falhas intermitentes, ou faíscas visíveis.
- Para trocar as escovas, remova as duas Tampas de acesso às escovas (9). Remova cuidadosamente as escovas gastas (Imagem R) e garanta que os compartimentos estão limpos. Substitua as escovas com cuidado e, depois, troque as tampas de acesso.
- Após a substituição, funcione a tupa sem carga durante 2 a 3 minutos para ajudar a assentar as escovas. O processo completo de assentamento poderá requerer várias utilizações. As faíscas no motor poderão continuar até que as novas escovas de carbono tenham assentado.
- Alternativamente, leve a máquina a um Centro de Serviço Autorizado da CMT.

Contactos

Para todas as reparações/serviços técnicos, por favor contacte o seu distribuidor.

Web: www.cmtorangetools.com

Web PT: rstferramentas.com

Tif: +351 244 027 277

Armazenamento

- Guarde esta ferramenta com cuidado, num lugar seco e seguro, fora do alcance das crianças.

Reciclagem

Cumpra sempre as leis nacionais ao reciclar ferramentas elétricas que não funcionam mais e cujo reparo não é mais viável.

- Não recicle ferramentas elétricas, ou outros equipamentos elétricos e eletrónicos (REEE) no lixo doméstico.
- Contate a autoridade local de eliminação de resíduos para saber o modo correto de reciclar ferramentas elétricas.

Resolução de problemas

Problema	Possível causa	Solução
A ferramenta não funciona quando se aciona o interruptor liga/desliga (8)	Não há energia	Verifique a fonte de alimentação elétrica
	Interruptor liga/desliga danificado	Troque o interruptor liga/desliga num Centro de serviços autorizado CMT
Perfil de corte sem precisão	O Batente de profundidade (3) não está ajustado corretamente	Assegure-se de que o Batente de profundidade corresponde à máxima quantidade de corte permitida pelos Batentes da torre (1)
	A Ferramenta de corte, pinça/engaste (24) instalados incorretamente ou soltos	Aperte o conjunto ferramenta de corte, pinça/engaste
A tupa não funciona	A energia elétrica não chega à tupa	Verifique se existe energia elétrica na fonte
	Escovas gastas ou aderentes	Desconecte a energia, abra as tampas de acesso às escovas (12) e assegure-se de que as escovas não estão excessivamente gastas ou danificadas
	O interruptor está defeituoso	Leve a máquina a um Centro de Serviços Autorizado da CMT
	Componentes do motor defeituosos ou em curto-circuito	
A tupa desloca-se ou corta lentamente	Ferramenta de corte cega ou danificada	Afie ou troque a ferramenta de corte
	Controlador de velocidade (10) na velocidade baixa	Aumente o ajuste de velocidade variável
	Motor sobrecarregado	Diminua a força que exerce sobre a tupa
Vibração excessiva	Ferramenta de corte solta ou instalada incorretamente	Reinstale ou aperte a ferramenta de corte
	Ferramenta de corte curvada ou danificada	Substitua a ferramenta de corte
Fâscas intensas dentro do compartimento do motor	As escovas não se estão a mover livremente	Desconecte a energia elétrica, remova as escovas, e limpe ou troque-as
	Motor danificado ou desgastado	Leve a máquina a um Centro de Serviços Autorizado da CMT
O microbobinador (20) produz som de "cliques" ou não se ajusta	A alavanca de trava de imersão (11) está engatada	Solte a Alavanca da trava de imersão
	Atingido o fim da faixa de ajuste	Reinicie o microbobinador e ajuste a profundidade com Batente de profundidade (3)
Faz um som incomum	Obstrução mecânica	Leve a máquina a um Centro de Serviços Autorizado da CMT
	Danos nos componentes internos	

Betjenings- og sikkerhedsinstruktioner

Introduktion

Tak fordi du har købt dette CMT-produkt. Denne manual indeholder nødvendige oplysninger for sikker og effektiv betjening af dette produkt. Dette produkt har unikke egenskaber og selvom du er bekendt med lignende produkter, er det nødvendigt at læse denne manual omhyggeligt for at sikre, at du forstår instruktionerne fuldt ud. Vær sikker på at alle brugere af produktet, læser og forstår denne manual fuldt ud. Opbevar disse instruktioner sammen med produktet til fremtidig reference.

Beskrivelse af symboler

Typeskiltet på dit værktøj indeholder symboler. Disse repræsenterer vigtig information om produktet eller instruktioner om dets brug.



Benyt høreværn
Benyt sikkerhedsbriller
Benyt åndedrætsværn eller maske
Benyt hjelm



Benyt arbejdshandsker



ADVARSEL - - For at reducere risikoen for skader skal brugsanvisningen læses



Advarsel



Advarsel: Skarpe knive eller tænder



Anvend IKKE i regnvejr eller fugtige omgivelser!



Afbryd altid strømforsyningen ved justering, udskiftning af tilbehør, rengøring, vedligeholdelse og når den ikke er i brug!



Stovudsugning påkrævet eller anbefalet



Klasse II konstruktion (dobbeltsolieret for yderligere beskyttelse)



Miljøbeskyttelse. Affald af elektriske produkter bør ikke bortskaffes sammen med husholdningsaffald. Genbrug venligst, hvor der findes faciliteter. Kontakt din lokale myndighed eller forhandler for at få råd om genbrug.



Overholder relevant lovgivning og sikkerhedsstandarder.

Tekniske forkortelser

V	Volt
~	Vekselstrøm
A	Ampere
Hz	Hertz
W, kW	Watt, kilowatt
min ⁻¹	Omdrejninger i minuttet

Specification

Varenr.	CMT7E
Volt:	220 - 240V~ 50/60Hz
Max input:	9.1A
Max output:	2400W
Omdrejninger ubelastet:	8,000 - 21,000min ⁻¹
Spændebøsninger:	8mm & 12mm
Maksimal skærediameter (Fri dybdefræsning):	55mm (2-3/16")
Maksimal spændestørrelse:	½" (12.7mm)
Højde justering:	1) Fri dybdefræsning 2) Bordhøjdevinkler 3) Fin justering
Dyk dybde:	0-68mm
Indtrængningsbeskyttelse:	IPX0
Beskyttelses klasse:	
Længde strømførende ledning:	3m
Dimension (L x B x H):	180 x 300 x 310mm
Vægt:	6.5 kg
Som en del af vores løbende produktudvikling, kan specifikationer for CMT- produkter ændres uden varsel.	
Lyd- og vibrationsoplysninger:	
Lydtryk L_{pa}:	84.2dB(A)
Lydtryk L_w:	95.2dB(A)
Usikkerhed K:	3dB(A)
Vægtet vibration a_w:	5.4m/s ²
Usikkerhed K:	1.5m/s ²

Lyddintensitetsniveauet for operatøren kan overstige 85dB(A), og foranstaltninger for lydbeskyttelse er nødvendige.

⚠ ADVARSEL: Blyt altid hørevern hvor lydniveauet overstiger 85dB(A), og begræns eksponeringstiden. Hvis lydniveauet er ubehageligt selv med hørevern, skal du straks stoppe med at bruge værktøjet og kontrollere, at hørevernet er korrekt monteret og giver det korrekte niveau af lydæmpning for det lydniveau dit værktøj afgiver.

⚠ ADVARSEL: Brugereksposering for værktøjsvibrationer kan resultere i tab af følesans, følelseløshed, smerten og nedsat evne til at gribe. Langtidseksponering kan føre til en kronisk tilstand. Begræns om nødvendigt tiden du udsættes for vibrationer og brug antivibrations-handsker. Er temperaturen under en normal behagelig temperatur, betjen da ikke værktøjet med hænderne, da vibrationer vil have en større effekt. Brug tallene i specifikationen vedrørende vibrationer til at beregne varigheden og frekvensen af betjeningen af værktøjet.

⚠ ADVARSEL: Vibrationsmissionen under faktisk brug af elværktøjet kan afvige fra den deklareerede samlede værdi, afhængigt af den måde, hvorpå værktøjet bruges. Der er behov for at identificere sikkerhedsforanstaltninger til beskyttelse af operatøren, som er baseret på en estimering af eksponeringen under de faktiske brugsforhold (under hensyntagen til alle dele af driftslykkesen, såsom de tidspunkter, hvor værktøjet er slukket, og hvornår det kører i tomgang ud over trigger tiden).

Den angivne samlede vibrationsværdi er blevet målt i overensstemmelse med en standardiseret metode og kan bruges til at sammenligne et værktøj med et andet. Den deklareerede vibrationsstovværdi kan også bruges i en foreløbig vurdering af eksponeringen.

Lyd niveauer i specifikationen er bestemt i henhold til internationale standarder. Figurerne repræsenterer normal brug af værktøjet under normale arbejdsforhold. Et dårligt vedligehold, forkert monteret eller forkert brugt værktøj, kan give øgede niveauer af støj og vibrationer. www.osha.europa.eu giver oplysninger om lyd- og vibrationsniveauer på arbejdspladsen, som kan være nyttige for private, der bruger værktøj i længere tid ad gangen.

Generel sikkerhedsanvisning

⚠ ADVARSEL: Læs alle sikkerhedsadvarsler, instruktioner, illustrationer og specifikationer der følger med dette elværktøj. Undlades at følge alle instruktionerne nedenfor kan det resultere i elektrisk stød, brand og/eller alvorlig personskade. Gem alle advarsler og instruktioner til fremtidig reference. Udtrykket "elværktøj" i advarselss referencer til dit netredskab (med ledning) elværktøj eller batteridrevne (trådløse) elværktøj.

1) Sikkerhed i arbejdsområdet

- a) **Hold arbejdsområdet rent og godt oplyst.** I rodede eller mørke områder kan der ske uheld.
- b) **Brug ikke elværktøj i eksplosive atmosfærer, såsom i nærheden af brændbare væsker, gasser eller støv.** Elværktøj danner gnister, som kan antænde støv eller dampe.
- c) **Hold børn og andre omkring dig væk mens du betjener et elværktøj.** Distractioner kan få dig til at miste kontrollen.

2) Elektrisk sikkerhed

- a) **Elværktøjstik skal passe til stikkontakten. Modifier aldrig stikket på nogen måde. Brug ikke adapterstik.**
- b) **Undgå kropskontakt med jordede overflader såsom rør, radiatorer, komfurer og køleskabe.** Der er en øget risiko for elektrisk stød, hvis din krop er jordet.
- c) **Udsæt ikke elværktøj for regn eller våde forhold.** Vand der trænger ind i et elværktøj, øger risikoen for elektrisk stød.
- d) **Misbrug ikke ledningen. Brug aldrig ledningen til at bære eller trække i elværktøjet. Hold ledningen væk fra varme, olie, skarpe kanter eller bevægelige dele.** Beskadigede eller sammenfiltrede ledninger øger risikoen for elektrisk stød.
- e) **Når du betjener et elværktøj udendørs, skal du bruge en forlængerledning, der er egnet til udendørs brug.** Brug af en ledning, der er egnet til udendørs brug, reducerer risikoen for elektrisk stød.
- f) **Hvis det er uundgåeligt at bruge et elværktøj på et fugtigt sted, skal du bruge en RCD- / HPFI beskyttet forsyning.** Brug af RCD reducerer risikoen for elektrisk stød.
- g) **Når det bruges i Australien eller New Zealand, anbefales det, at dette værktøj ALTID forsynes via Residual Current Device (RCD) med en nominal reststrøm på 30mA eller mindre.**
- h) **Brug korrekt forlængerledning. Sørg for, at din forlængerledning er i god stand. Når du bruger en forlængerledning, skal du sørge for at bruge en, der er kraftig nok til at bære den strøm, dit produkt trækker. En underdimensioneret ledning vil forårsage et fald i netspændingen, hvilket resulterer i strømtab og overophedning.**

3) Personlig sikkerhed

- a) **Vær opmærksom og hold øje med hvad du laver. Brug din sunde fornuft når du betjener et elværktøj. Brug ikke elværktøj mens du er træt eller påvirket af stoffer, alkohol eller medicin.** Et øjeblikvis uopmærksomhed under betjening af elværktøj kan resultere i alvorlig personskade.
- b) **Benyt altid sikkerhedsbriller.** Flere værnemidler vil reducere risikoen for skader/ uheld.
- c) **Undgå utilsigtet start. Sørg for at kontakten er i STOP position før du tilslutter strømkilden og/eller batteripakken.** Hvis du transporterer elværktøj med fingrene på kontakten eller sætter strøm til elværktøj, der er tændt, er der større risiko for ulykker.
- d) **Fjern enhver justeringsnøgle eller skruenøgle før du tænder for elværktøjet.** En

skruenøgle eller en nøgle, der efterlades fastgjort til en roterende del af elværktøjet, kan resultere i personskade.

- e) **Ræk ikke for meget ud. Hav altid ordentligt fodfæste og balance.** Dette giver bedre kontrol over elværktøjet i uventede situationer.
- f) **Klæd dig ordentligt på. Bær ikke løstsiddende tøj eller smykker.** Hold dit hår og tøj væk fra bevægelige dele.
- g) **Benyttes udstyret med tilslutning af støvsugning- og opsamlingsfaciliteter, skal du sikre dig at disse er tilsluttede og bruges korrekt.** Brug af støvsugning kan reducere støvrelaterede farer.
- h) **Selvom du bruger værktøjet tit og føler dig tryk ved det, skal du stadig huske og benytte sikkerhedsprincipperne.** En skødesløs handling kan forårsage alvorlig skade inden for en brøkdelt af et sekund.
- 4) **Brug og vedligeholdelse**
 - a) **Brug det korrekte elværktøj til din opgave.** Det korrekte elværktøj vil gøre arbejdet bedre og mere sikkert ved den hastighed, det er designet til.
 - b) **Brug ikke elværktøjet, hvis kontakten ikke tænder og slukker for det.** Ethvert elværktøj, der ikke kan styres med kontakten, er farligt og skal repareres.
 - c) **Tag stikket ud af strømkilden og/eller fjern batteripakken, hvis det kan aftages fra elværktøjet, før der foretages justeringer, udførelse af tilbehør eller opbevaring.** Sådanne forebyggende sikkerhedsforanstaltninger reducerer risikoen for at starte elværktøjet ved et uheld.
 - d) **Opbevar elværktøjet uden for børns rækkevidde og lad ikke personer, der ikke er bekendt med elværktøjet eller disse instruktioner, betjene elværktøjet.** Elværktøj er farligt i hænderne på utrænede brugere.
 - e) **Vedligehold elværktøjet og tilbehør. Tjek for fejljustering eller fastklæbning af bevægelige dele, brud på dele og enhver anden tilstand, der kan påvirke elværktøjets funktion.** Hvis det er beskadiget, skal elværktøjet repareres før brug. Mange ulykker skyldes dårligt vedligeholdt elværktøj.
 - f) **Hold skæreværktøj skarpt og rent.** Korrekt vedligeholdt skæreværktøjer med skarpe skærekanten er mindre tilbøjelige til at sidde fast og er nemmere at kontrollere.
 - g) **Brug elværktøjet, tilbehør og værktøjsbits osv. i overensstemmelse med denne vejledning under hensyntagen til arbejdsforholdene og det arbejde der skal udføres.** Brug af elværktøjet til andre opgaver end dem det er beregnet til, kan resultere i en farlig situation.
 - h) **Hold håndtag og gribeffader tørre, rene og fri for olie samt fedt.** Glatte håndtag og gribeffader tillades ikke.
- 5) **Service**
 - a) **Få dit elværktøj efterset af en kvalificeret reparatør.** Originale reservedele vil sikre at elværktøjets sikkerhed opretholdes.

Yderligere sikkerhed for fræsere



- Hold kun elværktøjet i de isolerede gribeplader, da fræseren kan komme i kontakt med sin egen ledning. Skæring af en ledning kan gøre udsatte metaldele på elværktøjet "strømførende" og kan give operatøren et elektrisk stød.
- Brug klammer eller en anden praktisk måde til at fastgøre og støtte emnet til en stabil platform. At holde emnet i hånden eller mod kroppen efterlader det ustabilt og kan føre til tab af kontrol.
- Skæring af en ledning kan gøre udsatte metaldele på elværktøjet "strømførende" og kan give operatøren et elektrisk stød.
- Hvis udskitfning af forsyningsledningen er nødvendig, skal dette udføres af producenten eller dennes agent for at undgå en sikkerhedsrisiko.
- Det anbefales kraftigt, at værktøjet altid forsynes via en fejlstrømsenhed med en nominel fejlstrøm på 30 mA eller mindre.
 - a) Brug sikkerhedsudstyr, herunder sikkerhedsbriller eller visir, hørevern, støvmaske og beskyttelsestøj, inklusive sikkerhedshandsker.
 - b) Klude, snor osv. må aldrig efterlades omkring arbejdsområdet.
 - c) Sørg for at netspændingen er den samme som spændingen på værktøjets mærkeplade.
 - d) Sørg for at alle kabelforlængere, der bruges med dette værktøj er i en sikker elektrisk tilstand og har den korrekte ampereværdi for værktøjet.
 - e) Rul kabeltømlerforlængere helt ud for at undgå potentiel overophedning.
 - f) Brug passende detektorer til at bestemme om kabler eller rør er under overfladen af arbejdsområdet. Kontakt forsyningselskaber for assistance hvis det er nødvendigt. Kontakt med elektriske kabler kan føre til elektrisk stød og brand. Beskadigelse af et gasrør kan føre til eksplosion. Kontakt med vandledninger kan føre til større materiel skade.
 - g) Sørg for at indlejrede genstande såsom søm og skruer er blevet fjernet fra arbejdsområdet før arbejdet påbegyndes.
 - h) Håndter fræsebor med forsigtighed, da de kan være ekstremt skarpe.
 - i) Før brug skal du kontrollere boret omhyggeligt for tegn på beskadigelse eller revner. Udsdift straks beskadigede eller revnede bor.
 - j) Sørg for, at fræser/bor er skarpe og vedligeholdes korrekt. Sløve skærekanter kan føre til ukontrollerede situationer, herunder standsning, øget varme og mulig skade.
 - k) Brug ALTID begge håndtag og hold et fast greb om overfræseren for du fortsætter med arbejdet.
 - l) Hold håndtag og gribeplader tørre, rene og fri for olie samt fedt for at sikre, at værktøjet kan holdes sikkert under brug.
 - m) Inden du bruger værktøjet til at lave et snit, skal du tænde og lade det køre et stykke tid. Vibrationer kan indikere et forkert installeret bor.
 - n) Vær opmærksom på boret rotationsretning og fremføringsretningen.
 - o) Hold hænderne væk fra fræseområdet og fræseren. Hold i hjælpéhåndtaget eller en isoleret gribeplade med din anden hånd.
 - p) Start ALDRIG fræseren, mens fræseren roterer emnet.
 - q) Sørg for at dykfejderen altid er monteret, når du bruger maskinen håndholdt.
 - r) Sørg for, at fræseren er stoppet helt, før den dykkes ned til spændetangslåseposition.
 - s) Fræseboret maksimale hastighed skal være mindst lige så høj som elværktøjets maksimale hastighed.
 - t) Dele af fræseboret kan blive varme under drift. Må ikke håndteres umiddelbart efter brug for at undgå risiko for forbrændinger.
 - u) Lad ikke dele komme i kontakt med brændbare materialer.
 - v) Skafstørrelsen på overfræseren/boret skal matche nøjagtig samme størrelse spændetang monteret på overfræseren. Forkert monteret fræser/bor vil rotere uregelmæssigt og have øget vibration, der kan føre til tab af kontrol.
 - w) Tryk IKKE på spindelåse knappen og forsøg IKKE at skifte værktøjet til bitskiftetilstand, mens overfræseren er i drift.
 - x) Hold trykket konstant mens du skærer i arbejdsområdet, så fræseren kan bestemme skærehastigheden. Tving IKKE værktøjet og derved overbelaste motoren.
 - y) Sørg for at mærkater og sikkerhedsadvarsler på værktøjet forbliver tydelige at læse og skiftes hvis de bliver beskadigede.
 - z) Under brug kan fræseboret gå i stå i emnet og forårsage tab af kontrol. Vær sikker på at holde fræseren fast og slukke værktøjet.
- Efter at have tændt for overfræseren, skal du kontrollere at fræseboret roterer jævnt (ikke "slinger"), og at der ikke er yderligere vibrationer på grund af forkert montering. Betjening af overfræseren med et forkert monteret fræsebor, kan føre til tab af kontrol og alvorlig personskade.
- Der skal udvises stor forsigtighed når der bruges værktøj med en diameter på over 50mm (2"). Brug meget langsomme tilspændingshastigheder og/eller flere overfladiske snit for at undgå overbelastning af motoren.
- Sluk ALTID og vent, indtil boret er gået helt i stå, før du fjerner maskinen fra arbejdsområdet.
- Afbryd strømforsyningen før justering, service eller vedligeholdelse.
- Selv når dette værktøj bruges som foreskrevet, er det ikke muligt at eliminere alle risikofaktorer. Hvis du er i tvivl om sikkerheden, så lad være med at bruge det.

- **ADVARSEL:** Støv som opstår ved brug, kan være giftigt. Nogle materialer kan være kemisk behandlet eller overfladebelagte og være farlige. Nogle naturlige og kompositmaterialer kan indeholde giftige kemikalier. Nogle ældre malinger kan indeholde bly og andre kemikalier. Undgå langvarig udsættelse for støv, der opstår ved betjening. Lad IKKE støv komme på huden eller øjnene, og lad ikke støv trænge ind i munden pga. skadelige kemikalier. Arbejd i et godt ventileret område, hvor det er muligt. Brug en passende støvmaske og støvudsugningssystem, hvor det er muligt. Hvor der er højere mulighed for eksponering, er det mere nødvendigt at alle sikkerhedsforanstaltninger følges og et højere niveau af personlig beskyttelse anvendes.

Produktkendskab

1. Revolverstop
2. Optag
3. Dybdestop
4. Sideventilationsåbninger
5. Låseknop til dybdestop
6. Motor
7. Sikkerhedsdæksel til afbryder
8. Tænd/sluk afbryder
9. Dækler til kul
10. Hastighedsregulator
11. Dyklåsehåndtag
12. Beskyttelsesdæksel
13. Knopper til montering af bundplade
14. Tilslutningspunkt til drejehåndtag
15. Støvdusningssport
16. Automatisk spindelås
17. Højdejustering/koblingsring
18. Knap, dybdefræsning
19. Højdejustering
20. Micro Winder
21. Kappe til dykfejer
22. NVR Bypass afbryderforbindelse
23. Fræselånd
24. Spændebøsning (x 2)
25. Drejehåndtag
26. Fastnøgle
27. Montering cirkelfræsning
28. Forlænget bundplade
29. Bypass nøgle
30. Skruer (1/4 UNC x 4) til fastgørelse på CMT bord (reserverdel 990.467.00.0)

Fig. II

- A. 1/4 UNC x 4
- B. M6 x3
- C. Bordvindindrykning

Anvendelsesformål

Håndholdt præcisions overfræser. Anvendes til skæring af profiler, riller, kanter og aflange huller i natur og kompositræ. Anvendes også sammen med styrebøsninger og skabeloner til at skære former, følge mønstre, samt til stationær installation i kompatible overfræserbore. Ikke til kommerciel brug.

Værktøjet må KUN bruges til det tilsigtede formål. Enhvert anden brug end dem nævnt i denne manual, vil blive betraget som misbrug. Operatøren og ikke producenten, er ansvarlig for enhver skade eller personskade som følge af sådanne tilfælde af misbrug. Producenten er ikke ansvarlig for ændringer på værktøjet eller for skader som følge af sådanne ændringer.

Udpakning af dit værktøj

- Pak forsigtigt ud og inspicér din nye overfræser. Gør dig selv bekendt med alle dens egenskaber og funktioner.
- Sørg for at alle dele af værktøjet findes og er i god stand. Hvis nogle dele mangler eller er beskadigede, skal disse dele findes/udskiftes før du tager værktøjet i brug.

Før ibrugtagning

⚠ ADVARSEL: Sørg for, at værktøjet er afbrudt fra strømforsyningen, før du monterer, udskifter tilbehør eller foretager justeringer.

⚠ ADVARSEL: Med jævne mellemrum, under længere tids brug, eller når overfræsere er blevet transporteret eller tabt, skal du kontrollere, at dykfederadgangshætten (21) er korrekt placeret og fastgjort på plads. Den skal sidde parallel med værktøjets krop uden synligt mellemrum og sikringskraven skal være korrekt placeret for at forhindre, at dykfederadgangshætten ved et uheld skrues af, se billede O. Dykfederen er spændt med tilstrækkelig kraft til at forårsage alvorlig skade, hvis frigivet på en ukontrolleret måde. Følg altid instruktionerne omhyggeligt når dykfederen fjernes og udskiftes

Montering af spændetang og fræser

1. Placer fræsere på hovedet på en stabil overflade med motoren fuldstændigt stationær og strømlinjen er fuldstændig fjernet.
2. Kør fræsere ud til maksimal dybde ved hjælp af drejehåndtaget (17) (billede B) indtil spændebøsningen (24) er igennem bundpladen. Vær opmærksom på at dybdestopet (3) er skruet helt tilbage (se afsnit om dybdestop) Bøsningen skal være helt igennem bundpladen så man nemt kan komme til med fastnøglen.
3. Brug den inkluderede fastnøgle (26) og løsn omløbermotikken ved at dreje mod urets retning.
4. Find den ønskede spændebøsning, som monteres i fræserspindlen (2) ved at skrue omløbermotikken med uret.
5. Indsæt det ønskede værktøj i spændebøsningen og sørg for at minimum 20mm eller ¾ af skaftet (den største værdi af disse muligheder anvendes) er monteret oppe i spændebøsningen. Spænd nu omløberen let med fastnøglen indtil den gråer om værktøjet og spindelåsen aktiveres. Herefter spændes værktøjet helt til.
6. Kør overfræsere tilbage til normal arbejdsdybde. Derved vil spindelåsen samt plastiklågen over start/stop kontakten slippe så overfræsere igen er klar til brug.

Støvsugningsport.

Bemærk: CMT7E-fræsere er udstyret med en udgang (15) til udsugning af spåner over snittet. I udgangen kan bruges slanger, der måler 38 mm (1 ½") med venstredrejet gevind (mod urets retning) (billede D).

Montering af udvidet bundplade og anlægsskinne

1. Find de to monteringskraver/påler (13) og løs dem helt. Dermed kan palerne trykkes ud så de kan monteres i hullerne i bundpladen (28).
2. Vend fræsere og bundpladen med bunden op.
3. Skru monteringskraverne (13) løs og skub dem nedad, så monteringspalerne kommer frem.
4. Skub dem ind i nøglehudsudfræsningerne på bundpladen (K).

Bemærk: Placeringen af bundpladen afhænger af hvilken type kantarbejde, der skal udføres. Placer overfræsere med start/stop knappen på den korte side af opstillingen.

5. Stram skraverne (13) så overfræsere fastgøres til bundpladen
6. For at fastgøre landet (23) løsnes skraverne, og landet glides ind over bundpladen (billede L) låses ved den ønskede position.

Bemærk: Når der fræses spor med stor afstand fra kanten, fastgøres landet på den lange side af bundpladen.

Bemærk: Når der laves kantarbejde med værktøj uden kugleleje, fastgøres landet på den korte side af bundpladen.

Bemærk: Når der arbejdes med værktøj med stor diameter, kan det være nødvendigt at montere træklodser til landet ved hjælp af skruehullerne, for ikke at værktøjet rammer landet.

Anvendelse

⚠ ADVARSEL: Bænr ALTID sikkerhedsbriller, passende åndedræts- og høreværn, såvel som passende handsker når værktøjet er i brug.

Indstilling af START og STOP

Bemærk: Når fræsere er sat til strøm, vil Start/Stop knappen (8) lyse i begge indstillinger.

Bemærk: Plastiklågen (7) forebygger utilsigtet igangsætning af fræsere. Den skal trækkes tilbage for fræsere kan tændes. Plastiklågen vil forblive åbent indtil fræsere er slukket.

1. Sørg for at overfræsere er i højeste position, så værktøjet ikke rammer emnet når den tilsluttes.
2. Tilslut strøm og skub plastiklågen væk fra start/stop knappen
3. Pres start/stop knappen i tænd position. Hermed vil plastiklågen fastlåses i positionen.
4. Sluk ved at trykke på start/stop kontakt til 0-position. Herved glider plastiklågen tilbage over start/stop knappen.

Variabel hastighedsregulator

Bemærk: Anvend den højeste hastighed, som ikke efterlader brændemærker på emnet. Hvor maksimum hastighedsbegrænsninger er opgivet fra producenten, skal disse følges.

- Hvis du øger hastigheden, øges også risikoen for skade på fræsere pga. overbelastning. Brug meget langsomme fremføringshastigheder og/eller flere overfladiske snit.
- Hastighedsregulatoren (10) kan indstilles fra 1 til 5 og svarer omtrent til de hastigheder, som er angivet nedenfor. Den ønskede hastighed vælges ved at dreje omdrejningsregulatoren

Indstilling	RPM	Fræser diameter
5	21,000	Op til 25mm (1")
4	18,000	25-50mm (1" - 2")
3	14,500	50-65mm (2" - 2 1/2")
2	11,000	Over 65mm (2 1/2")
1	8000	Hvis emnet bliver varmt

Tilretning af skæredybde

VIGTIGT:

**DYKKE MEKANISMEN BLIVER BESKADIGET,
HVIS DU IKKE FØLGER DISSE INSTRUKTIONER**

Vær **ALTDIG** sikker på at låsen for dybdeindstilling ikke er i låst position for at anvende fræsere som nævnt nedenfor.



Bemærk: For at låse fræseren til en bestemt skæredybde, dykkes fræsehovedet ned og roter låsen for dybdeindstilling (11) til den laveste position. Dette vil holde hovedet på boret i denne position.
Der er 3 måder at justere skæredybden alt efter ønsket nøjagtighed og kontrol.

Fri dybdefræsning

1. Trinlås dybdefræsning kan udføres ved at trykke knappen i håndtaget dybt ind (18) indtil funktionen aktiveres (billede A).
2. **Lås låsen for dybdeindstilling (11)** og tryk overfræseren til den ønskede fræsedybde. Lås dybdeindstilling igen.

Fræsehåndtaget

1. Justering af fræsedybde kan gøres ved at dreje på håndtag (19).
2. Deaktiver fri fræse funktion ved at trykke ind på knappen (18) og check at den flugter med håndtaget igen.
3. For at løsne fræsehåndtaget trykkes den indre koblingsring ind (17) (billede B).
4. **Lås låsen for dybdeindstilling (11)** og drej håndtaget indtil den ønskede fræsedybde nås. Slip indre koblingsring (17) og lås dybdeindstilling (11).

Mikro justering

Bemærk: Bruges kun når håndtaget (19) er i dykfunktion.

1. Løs centerknappen (18) og check at låsen for dybdeindstilling (11) ikke er i låst position.

Bemærk: Hvis mikro justeringsknappen bruges mens højdejusteringen er låst, vil den klikke uden at ændre på højdeindstillingen.

2. Drej mikrojusteringsknappen i urets retning for at øge fræsedybden og mod urets retning for at reducere fræsedybden. Juster indtil den ønskede indstilling opnås.

Bemærk: Når maksimal justering for mikrojusteringsknappen nås, vil den yde øget modstand og begynde at "klikke".

3. Brug låsen for dybdeindstilling ved kraftigt fræsearbejde

Dybdestop og revolverstop

1. Dybdestop (3) og revolverstop (1) bruges til helt præcist at forudindstille op til 3 forskellige skæredybder.
2. Lås låsen for dybdestoppet (5) og skub palen til den ønskede position og stram låsen igen.
3. Sæt palen' er på de ønskede højder og brug eventuelt skalaen på overfræseren.

Bemærk: For at ændre revolverstop: roter revolverstoppet for at tilpasse med dybdestoppet

4. Med det korrekte værktøj monteret i spændebøsningen (24), justeres der til den ønskede fræsedybde.
5. Roter revolverstoppet indtil den er i korrekt position i forhold til dybdestoppet. Lås låsen og cylinderen vil springe til den indstillede position. Lås herefter justeringen.
6. Roter revolverstoppet så den ønskede indstilling tilpasses med cylinderen på dybdestoppet.

Når du skærer

Bemærk: Brug ALDRIG fræseren i frithånd uden en eller anden guide/skabelon. Styling kan opnås ved at bruge værktøj med kugleleje, inkluderende sideland eller monteret retteskinne (billede I)..

1. Hold ALTDIG fræseren med begge hænder på de indbyggede håndtag. Vær sikker på at arbejdsområdet ikke kan flytte sig. Brug skruetvinger når det er muligt.
2. Lad motoren køre indtil der opnås fuld hastighed.
3. Sænk fræseboret ned i arbejdsområdet mens du bevæger fræseren langsomt alt imens du holder bundpladen fladt mod arbejdsområdet.

4. Ved kantskæring skæres der på venstre side af emnet i forhold til skæreretningen (Fig I). Hold et konstant tryk og lad overfræseren arbejde stabilt gennem materialet. Vær opmærksom på at knaster og andre variationer vil slowe fremføringen.

Bemærk: For at undgå 'opfløsninger', skæres der mod uret ved ydre snit og med uret ved indre snit.

Bemærk: Hvis du bevæger fræseren for hurtigt, kan det resultere i dårlig snitkvalitet og overbelastning af motoren. Hvis du bevæger fræseren for langsomt, kan det resultere i overophedning af arbejdsområdet.

Bemærk: Normal brug af fræseren er at dykke fræseren ned efter den er tændt.

Bemærk: Brug ikke fræseren vendt på hovedet medmindre den er sikkert monteret i et solidt monteret fræsebord (fx CMTs eget bord).

Fræsning ved flere gennemløb

1. Revolverstoppet (1) kan indstilles efter de antal gennemløb brugeren ønsker.
2. Roter revolverstoppet så dybdestop (3) når den højeste forudindstillede dybde når fræseren er i dykket position. Det første gennemløb kan nu udføres.
3. Forsæt med flere fræsninger ved at rotere revolverstoppet og justere dybdeindstillings palen indtil den fulde fræsedybde er nået.

Skær cirkler

1. Monter bundpladen (28) uden anlægsskinne (23) på overfræseren.
2. Drejetappen/drejetapperne fjernes fra bundpladen og fastnes i centrum af arbejdsområdet ved hjælp af et lille sølle eller en skrue igennem et af de små huller, som findes i drejetappen (billede M.). Lad bolten som går gennem drejetappen blive siddende.
3. Placér overfræseren og bundpladen på drejetappen og skru spændeskiven og vingemøtrikken på. Uden at strømmen er tilsluttet føres overfræseren langs den bane, som skal fræses, således at cirklen kontrolleres og eventuelle justeringer kan udføres.
4. Med power på off køres overfræseren rundt i den ønskede fræsning og de ønskede justeringer foretages.
5. Cirklen fræses i flere omgange og for hver omgang sænkes skæredybden med ca. 2 mm (1/16"). Prøv aldrig at skære cirklen i en omgang.
- Gennemgående snit: Hvis der fræses helt igennem materialet kan der monteres et stykke affaldstræ under emnet.

Anvendelse ved montering i fræsebord

Bemærk: Følg instruktionerne som medfølger fræsebordet, når du monterer og anvender fræseren i et fræsebord.

Bemærk: Denne fræser kan bruges med de fleste fræsebord, men er specielt tilpasset CMT fræsebord.

Bemærk: Tilpasning af fræseren er meget nemt når du har læst denne manual igennem.

VIGTIGT: Neddrykningsfjederen SKAL fjernes før denne fræser monteres på et fræsebord. (Importøren har gjort dette inden levering)

1. Indstil fræseren på maksimumdybden og lås neddrykningslåsen.
2. Lås de små skruer ved siden af neddrykningsfjederens hætte (1) ved at dreje et par omgange. Hætten drejes en anelse mod urets retning og fjernes. Fig. 27.

Bemærk: hold godt fast om hætten når preset på fjederen lettes.

3. Fjederen fjernes og opbevares på et sikkert sted.
4. Sæt neddrykningsfjederens hætte tilbage og stram skruen.

⚠ ADVARSEL: Neddrykningsfjederen må kun fjernes når overfræseren er monteret i et fræsebord.

Remontering af neddrykningsfjederen

Neddrykningsfjederen leveres separat sammen med overfræseren. Neddrykningsfjederen er beregnet til anvendelse når værktøjet bruges som frihåndsoverfræser.

1. Indstil fræseren på maksimumdybden og lås neddrykningslåsen.
 2. Lås de små skruer (drej mod urets retning) ved siden af neddrykningsfjederens hætte (1) ved at dreje et par omgange. Hætten drejes en anelse mod urets retning og fjernes.
 3. Før fjederen igennem spidsen på hætten og placér den i det dertil beregnede indgangspunkt.
 4. Hold fast om fjederhætten, pres fjederen ned med så megen kraft som nødvendigt og bloker fjederhætten under skruen.
 5. Når skruen er på plads strammes den igen ved at dreje i urets retning. Kontrollér altid at den er monteret ved frihåndsarbejde.
- Drejehåndtaget (25) griber i tappen på overfræseren (14) for hurtig justering af højden når CMT7E er bordmonteret.

Montering af "no voltage release" NWR funktionen

CMT7E fræseren har en No Voltage Release (NVR) funktion, som forhindrer motoren i automatisk at genstarte efter en strømafbrydelse. For at nulstille værktøjet skal du trykke på STOP knappen og derefter trykke på START knappen igen. Når du bruger fræseren med et CMT fræsebord eller fra et andet mærke, der har deres egen NVR beskyttelse som fx Elektrisk Sikkerhedsudstyr (999.100.11), kan denne funktion omgås ved at indsætte NVR Bypass Key (29). Derved aktiveres START/STOP driften af værktøjet og kontrolleres i stedet af START/STOP knappen på fræsebordet.

1. Skru NVR bypass nøglen ind i NVR forbindelsen (22) som forsigtigt håndspændes.
2. Den modsatte ende fastgøres til undersiden af arbejdsstationen (billede U).
3. Tænd fræseren og brug start/stop knappen på fræsebordet for at kontrollere fræseren

ADVARSEL: Brug kun NVR bypass key når fræseren er monteret til en strømkilde som er selv er NVR/HDFI sikret. Fx (999.100.11). Check altid at den er fastgjort til fræsebordet, så overfræseren ikke fejlagtigt fjernes uden at fjerne NVR bypass key.

VIGTIGT

1. For at montere CMT fræseren på CMT borde eller fra andre mærker, skal du fjerne de 4 skruer i den sorte bundplade (billede S) og fjerne den.
2. Der er 2 typer af skruegevind som vist i fig. II.

 - A: Der er 4 x UNC skruegevind (bruges til at fastgøre bundpladen) som også kan bruges til montering af CMT borde.
 - B: 3 sæt med M6 gevind

3. Brug de vedlagte skruer (30) for at installere fræseren til CMT borde..

Bemærk: M6 gevind er ikke tilgængelige til tidligere versioner af CMT7E (2022) fræsere.

Tilbehør

Der findes et stort udvalg af tilbehør og reservedele til denne fræser, som du kan købe hos din CMT forhandler, såsom :

- Et stort udvalg af fræseværktøjer.
- Forborede bundplader (billede H) til CMT tilbehør.
- Føringssringe.
- Spændebøsninger.
- Kul.

Vedligeholdelse

⚠ ADVARSEL: Sluk ALTID for strømmen før du udsifter, vedligeholder eller rengører.

Generel eftersyn

- Tjek jævnligt at alle skruer er skruet ordentligt på.
- Inden du bruger fræseren, skal du hver gang tjekke den strømførende ledning for brud og slid. Reparationer skal udføres af et autoriseret CMT service center. Det samme gælder for forlængereledningen til fræseren.

Rengøring

- **⚠ ADVARSEL:** Benyt ALTID sikkerhedsværn inklusiv sikkerhedsbriller og handsker når du rengører fræseren.
- Hold altid fræseren ren. Skidt og støv slider hurtigt på de indre dele og forkorter levetiden.
- Rengør din maskine med en blød børste eller en tør klud.
- Brug aldrig ætsende midler til at rense plastikdele. Hvis den bløde børste eller klud ikke er nok, kan du bruge et mildt rengøringsmiddel på en fugtig klud.
- Vand må aldrig komme i kontakt med fræseren.
- Vær sikker på at fræseren er tør inden brug.
- Hvis muligt kan du bruge ren, tør luft fra en kompressor til at blæse gennem ventilationshullerne. (hvis relevant)

Smørelse

- Smør alle bevægelige dele en smule med jævne mellemrum med en passende spraysmøremiddel

Kul

- Med tiden kan kulbørsterne inde i Motoren (6) blive slidte.
- Meget slidte børster kan forårsage strømtab, periodisk svigt eller synlige gnister.
- For at udskifte børsterne, skal du fjerne de to dæksler til kul-elementer (9). De slidte børster skal forsigtigt fjernes (billede R) og du skal sikre dig, at kontakterne er rene. Forsigtigt kan de nye børster indsættes og dæksler til kul-elementerne kan udskiftes.
- Efter montering skal fræseren køre 2-3 minutter for at de nye børster er klar. Det kan tage et stykke tid inden de nye kul-elementer er kart til. Gnister fra motoren kan opstå indtil de nye børster er kart helt ind.
- Alternativt kan du få fræseren servicecenteret på et autoriseret servicecenter.

Kontakt

Ved service kontakt din forhandler.

Web: www.cmtorangetools.com

Opbevaring

- Opbevar din fræser forsigtigt på et sikkert og tørt sted uden for børns rækkevidde.

Bortskaffelse

Følg altid nationale love når du skal bortskaffe dit elværktøj, som ikke længere virker eller ikke kan repareres.

- Du må ikke bortskaffe dit elværktøj, eller andet elektrisk affald eller udstyr, sammen med almindeligt husholdningsaffald.
- Kontakt din lokale myndighed for bortskaffelse af elværktøj for at sikre dig, at du gør det rigtigt.

Problemløsning

Problem	Mulig årsag	Løsning
Overfræseren vil ikke starte	Ingen strømtilførsel	Tjek din strømtilførsel
	Start/stop knappen/stikket er defekt	Køb en ny start/stop knap/stik hos et autoriseret CMT service center
Upræcist fræsesnit	Dybde Stop (3) er ikke korrekt justeret	Check at dybdestop og revolverstop passer sammen og at revolverstoppet er korrekt indstillet
	Fejlmønteret/løs fræseværktøj/spændebøsning	Spænd værktøj i spændebøsning
Overfræseren vil ikke køre	Ingen strømtilførsel	Tjek at stikket er sat i
	Kulbørsterne er slidte eller blokerede	Sluk for strømmen, åben dækslet til kullene (9) og vær sikker på at børsterne ikke er beskadiget eller slidte.
	Stikket er defekt	Få overfræseren serviceret hos et autoriseret CMT service center.
	Motorkomponenter er defekte eller kortslyt	
Overfræseren kører eller skærer langsomt	Sløve eller beskadigede fræsejern	Fræsejern genopslibes eller udskiftes
	Hastighedsregulator (10) er indstillet lavt	Øg hastigheden
	Motoren er overbelastet	Begræns trykket/fremføringen på overfræseren
Unormalt mange vibrationer	Fræsebor er ikke korrekt sat på eller sidder løst	Sæt fræseboret på igen eller stram til
	Bøjet eller beskadiget fræsebor	Udskift fræseboret
Kraftig gnistdannelse i motorhus	Kulbørsterne kan ikke bevæge sig frit	Sluk for strømmen, rengør eller skift kulbørsterne
	Motoren er ødelagt eller slidt	Få overfræseren serviceret hos et autoriseret CMT service center.
Mikroindstilling (20) "klikker" eller justerer ikke	Dybdeindstillingslås (11) er aktiveret	Dybdeindstillingslås løsnes
	Maksimal dybde er nået	Reset af mikroindstilling og juster dybde med dybdestop (3)
En unormal lyd er opstået	Mekanisk blokering	Få overfræseren serviceret hos et autoriseret CMT service center.
	Indre dele er beskadigede	

Tłumaczenie oryginalnej instrukcji

Wprowadzenie

Dziękujemy za zakup narzędzia marki CMT. Zapoznaj się z niniejszymi instrukcjami: zawierają one informacje niezbędne dla bezpiecznej i wydajnej obsługi produktu. Produkt posiada szereg unikalnych funkcji, dlatego też, nawet, jeśli jesteś zaznajomiony z podobnymi produktami, przeczytanie tego podręcznika jest niezbędne w celu pełnego zrozumienia instrukcji obsługi. Upewnij się, że wszyscy użytkownicy narzędzia przeczytali i w pełni zrozumieli instrukcję obsługi. Przechowaj tę instrukcję wraz z produktem do wykorzystania w przyszłości.

Opis symboli

Tabela znamionowa zawiera symbole dotyczące narzędzia. Stanowią one istotne informacje o produkcie lub instrukcje dotyczące jego stosowania.



Należy nosić środki ochrony słuchu
Należy nosić okulary ochronne
Należy nosić środki ochrony dróg oddechowych
Należy używać kasku ochronnego



Należy nosić rękawice ochronne



OSTRZEŻENIE - Aby zmniejszyć ryzyko obrażeń, użytkownik musi przeczytać i w pełni zrozumieć instrukcję obsługi



Uwaga!



Ostrzeżenie: Ostre zęby/ostre



Należy zawsze odłączać urządzenie od zasilania elektrycznego, podczas regulacji, wymiany akcesoriów, czyszczenia, konserwacji oraz gdy nie jest w użytku!



Wymagany lub zalecany system ekstrakcji pyłu



Instrukcja klasy II (podwójnie izolowany dla dodatkowej ochrony)



Ochrona środowiska

Nie należy wyrzucać zużytych produktów elektrycznych wraz z odpadami komunalnymi. Jeśli jest to możliwe, należy przekazać produkt do punktu recyklingu. W celu uzyskania wskazówek dotyczących recyklingu należy skontaktować się z władzami lokalnymi lub sprzedawcą.



Urządzenie zgodne z odpowiednimi przepisami i normami bezpieczeństwa.

Kluczowe skróty techniczne

V	Wolt
~	Prąd przemienny
A	Amper
Hz	Herc
W, kW	Wat, kilowat
min ⁻¹	(obroty lub ruch postępowo zwrotny) na minutę

Dane techniczne

Nr modelu:	CMT7E
Napięcie:	220 - 240 V ~ 50/60 Hz
Maks. prąd wejściowy:	9,1 A
Maksymalna moc wyjściowa:	2400 W (szczytowa 3-1/4 KM)
Prędkość bez obciążenia:	8000 - 21 000 min ⁻¹
Tuleje zaciskowe:	8 i 12 mm
Maksymalna średnica frezu (Trzpień wgłębny swobodny):	55 mm (2-3/16")
Maksymalny rozmiar tulei zaciskowej:	½" (RUS: 12,7 mm)
Regulacja wysokości:	1) Trzpień wgłębny swobodny 2) Pokrętko regulacji wysokości stołu 3) Mikropokrętko (drobna regulacja)
Zasięg obróbki wgłębnej:	0-68 mm
Stopień ochrony:	IPX0
Klasa ochrony:	□
Długość przewodu zasilania:	3 m
Wymiary (dł. szer. x wys.):	180 x 300 x 310 mm
Waga:	6,5 kg
W wyniku nieprzerwanego procesu rozwojowego produktów specyfikacje produktów CMT mogą ulec zmianie bez uprzedniego powiadomienia.	
Parametry emisji dźwięku i wibracji:	
Poziom ciśnienia akustycznego L _{WA} :	84,2 dB(A)
Poziom mocy akustycznej L _{WA} :	95,2 dB(A)
Niepewność pomiaru K:	3 dB(A)
Wartość emisji wibracji a _v :	5,4 m/s ²
Niepewność pomiaru K:	1,5 m/s ²

Poziom natężenia dźwięku dla operatora może przekroczyć 85 dB(A) dlatego konieczne jest zastosowanie środków ochrony słuchu.

⚠️ OSTRZEŻENIE: Jeżeli poziom hałasu przekracza 85dB(A) należy zawsze stosować środki ochrony słuchu oraz ograniczyć czas narażenia słuchu na nadmierny hałas. Jeśli poziom hałasu powoduje dyskomfort, nawet w przypadku zastosowania środków ochrony słuchu, niezwłocznie przestań korzystać z narzędzia i sprawdź czy środek ochrony słuchu jest prawidłowo zamontowany i zapewnia odpowiedni poziom tłumienia dźwięku w odniesieniu do poziomu hałasu wytwarzanego przez narzędzie.

⚠️ OSTRZEŻENIE: Narażenie użytkownika na wibracje narzędzia może spowodować utratę zmysłu dotyku, drętwienie, mrowienie i zmniejszenie zdolności uchwytu. Długotrwałe narażenie może prowadzić do stanu przewlekłego. Jeśli jest to konieczne, ogranicz czas narażenia na wibrację i stosuj rękawice antywibracyjne. Nie korzystaj z urządzenia w trybie ręcznym w temperaturze niższej niż normalna komfortowa temperatura otoczenia, ponieważ zwiększy to efekt wywołany przez wibracje. Skorzystaj z wartości liczbowych podanych w specyfikacji dotyczącej wibracji, aby obliczyć czas trwania i częstotliwość pracy z narzędziem.

⚠️ OSTRZEŻENIE: Emisja drgań podczas rzeczywistego użytkownika elektronarzędzia może różnić się od podanej wartości całkowitej w zależności od sposobu używania narzędzia. Należy zidentyfikować i wprowadzić dodatkowe środki bezpieczeństwa, mające na celu ochronę operatora przed skutkami ekspozycji na drgania w konkretnych warunkach (trzeba wziąć pod uwagę także okresy, gdy urządzenie jest wyłączone, lub gdy jest wprawdzie włączone, ale nie jest używane do pracy).

Deklarowana wartość całkowita drgań została zmierzona zgodnie ze standardową metodą badania i może być wykorzystana do porównywania narzędzi. Deklarowana całkowita wartość drgań może być również wykorzystywana w celu przeprowadzenia wstępnej oceny narażenia.

Poziom hałas i wibracji w specyfikacjach jest określony zgodnie z normami międzynarodowymi. Wartości te reprezentują korzystanie z urządzenia w normalnych warunkach roboczych. Niedbala konserwacja, nieprawidłowy montaż lub nieprawidłowe użytkowanie urządzenia mogą spowodować wzrost poziomu hałasu oraz wibracji. www.osha.europa.eu dostarcza informacji na temat poziomów hałasu i wibracji w środowisku pracy, które mogą być przydatne dla użytkowników prywatnych, korzystających z urządzenia przez długi czas.

Ogólne instrukcje dotyczące bezpieczeństwa

⚠️ OSTRZEŻENIE: Przeczytaj wszystkie ostrzeżenia i instrukcje bezpieczeństwa. Nieprzestrzeżenie ostrzeżeń i instrukcji może prowadzić do porażenia prądem, pożaru i / lub poważnych obrażeń.

Zachowaj wszystkie instrukcje do wykorzystania w przyszłości.

Termin „elektronarzędzie” odnosi się do urządzenia zasilanego sieciowo (przewodowe) lub urządzenia zasilanego za pomocą baterii (bezprowadowego).

1) Bezpieczeństwo obszaru pracy

- Zadbaj o prawidłową higienę i prawidłowe oświetlenie obszaru pracy.** Zanieczyszczenie lub brak wystarczającego oświetlenia obszaru pracy mogą doprowadzić do wypadków.
- Nie należy używać elektronarzędzi w przestrzeniach zagrożonych wybuchem, np. w obecności łatwopalnych cieczy, gazów lub pyłów.** Urządzenia elektryczne wytwarzają iskry, które mogą podpalić pył lub opary.
- Nie dopuszczaj dzieci ani innych osób do obszaru pracy elektronarzędzi.** Nieuważa mogą spowodować utratę kontroli.

2) Bezpieczeństwo elektryczne

- Wtyczka elektronarzędzia musi pasować do gniazda zasilania. Nie wolno modyfikować wtyczki w żaden sposób.** Nie wolno stosować żadnych przedsięwzięć z uziemionym urządzeniem. Oryginalne wtyczki i pasujące gniazda zmniejszają ryzyko porażenia prądem.
- Unikaj dotykania uziemionych powierzchni, takich jak rury, grzejniki, piec i lodówki.** Uziemienie ciała powoduje zwiększenie ryzyka porażenia prądem.
- Nie wystawiaj elektronarzędzi na działanie deszczu lub wilgoci.** Przedostanie się wody do urządzenia zwiększa ryzyko porażenia prądem.
- Nie należy nadywierać kabla. Nigdy nie używaj go do przenoszenia, przędzania lub odłączania elektronarzędzia.** Trzymaj przewód z dala od źródeł ciepła, oleju, ostrej krawędzi lub ruchomych części urządzenia. Uszkodzone lub poplątane kable zwiększają ryzyko porażenia prądem.
- W przypadku korzystania z urządzenia na wolnym powietrzu używaj przedłużacza przystosowanego do używania na zewnątrz.** Korzystanie z przedłużacza przystosowanego do używania na zewnątrz zmniejsza ryzyko porażenia prądem.
- W przypadku korzystania z elektronarzędzia w miejscu o dużym natężeniu wilgoci należy używać gniazda zasilania wyposażonego w wyłącznik różnicowoprądowy (RCD).** Korzystanie z wyłącznika różnicowoprądowego zmniejsza ryzyko porażenia prądem.
- W przypadku korzystania z urządzenia w Australii lub Nowej Zelandii, zalecane jest zasilanie urządzenia TYLKO z wykorzystaniem wyłącznika różnicowoprądowego**

(RCD) o znamionowym prądzie różnicowym nieprzekraczającym 30 mA.

- Użyj odpowiedniego przedłużacza.** Upewnij się, że przedłużacz jest w dobrym stanie. Używaj przedłużacza, upewnij się, że używasz przedłużacza wystarczająco solidnego, aby utrzymać prąd pobierany przez produkt. Zbyt mały przewód spowoduje spadek napięcia w sieci, co spowoduje utratę mocy i przegrzanie.
- Bezpieczeństwo osobiste**
 - Podczas korzystania z elektronarzędzi bądź czujny, uważaj, co robisz i zachowaj zdrowy rozsądek.** Nie używaj ich, gdy jesteś zmęczony albo pod wpływem narkotyków, alkoholu lub leków. Chwila nieuwagi podczas obsługi urządzenia może spowodować poważne obrażenia ciała.
 - Korzystaj ze środków ochrony osobistej. Zawsze stosuj środki ochrony oczu.** Wyposażenie ochronne, takie jak maska przeciwpyłowa, obuwie robocze antypoślizgowe na szorstkiej podszewie, kask ochronny lub nasznuski ochronne używane w odpowiednich warunkach, zmniejsza ryzyko obrażeń.
 - Zapobiegaj przypadkowemu włączeniu urządzenia. Przedłączeniem do źródła zasilania i / lub akumulatora, podnośnikiem lub przenoszeniem narzędzia, upewnij się, że przełącznik zasilania znajduje się w pozycji wyłączony.** Przenoszenie urządzenia z palcem umieszczonym na wyłączniku zasilania lub podłączanie elektronarzędzi przy włączonym przełączniku zasilania stwarza ryzyko wypadku.
 - Przed włączeniem elektronarzędzia usuń z niego wszelkie klucze regulacyjne.** Narzędzie lub klucz pozostawiony w obracającej się części elektronarzędzia może spowodować obrażenia ciała.
 - Nie wychylaj się.** W każdej chwili zachowaj odpowiednią pozycję i równowagę. Umożliwia to lepszą kontrolę nad elektronarzędziem w nieoczekiwanych sytuacjach.
 - Noś odpowiednią odzież.** Nie zakładaj do pracy z elektronarzędziami luźnej odzieży ani biżuterii. Trzymaj włosy, odzież i rękawice z dala od ruchomych części urządzenia. Luźne ubranie, biżuteria lub długie włosy mogą zostać wciągnięte przez ruchome części urządzenia.
 - Jeśli do zestawu załączone są urządzenia do podłączenia mechanizmów odsysania i zbierania pyłu, sprawdź czy są one przyłączone i prawidłowo zamocowane.** Korzystanie z urządzenia odsysającego pył może zmniejszyć zagrożenie pyłami.
 - Nie pozwól aby znajomość urządzenia, pozwoliła na ignorowanie zasad bezpieczeństwa.** Nieostrożne działanie może doprowadzić do poważnych obrażeń w ciągu sekundy.
 - Użytkowanie i pielęgnacja elektronarzędzi.**
 - Nie należy przeciążać urządzenia.** Używaj narzędzi odpowiednio do danego zastosowania. Prawidłowe narzędzie wykona zadanie lepiej i bezpieczniej w podanym zakresie sprawności.
 - Nie należy używać urządzenia, jeśli nie można go włączyć lub wyłączyć za pomocą odpowiedniego przełącznika.** Urządzenia, które nie mogą być kontrolowane za pomocą przełącznika są niebezpieczne i muszą zostać oddane do naprawy.
 - Przed dokonaniem regulacji, wymiany akcesoriów lub przechowywaniem elektronarzędzia odłącz wtyczkę od źródła zasilania / lub akumulator od urządzenia.** Te prewencyjne środki bezpieczeństwa zmniejszają ryzyko przypadkowego uruchomienia elektronarzędzia.
 - Nieużywane elektronarzędzie przechowuj w miejscu niedostępnym dla dzieci i nie dopuszczaj do nich osób nie znających elektronarzędzi lub ich instrukcji obsługi.** Elektronarzędzia stanowią niebezpieczeństwo w rękach niedoświadczonych użytkowników.
 - Przeprowadzaj konserwację elektronarzędzi.** Sprawdź urządzenie pod kątem nieprawidłowego ustawienia lub zablokowania elementów ruchomych, pęknięć części lub innych usterek, które mogą mieć negatywny wpływ na funkcjonowanie urządzenia. W przypadku usterki należy naprawić urządzenie przed ponownym użyciem. Niewłaściwa konserwacja elektronarzędzi jest przyczyną wielu wypadków.
 - Utrzymuj narzędzia tnące w czystości i dobrze naostrzone.** Ładźnane narzędzia tnące z ostrymi krawędziami tnącymi rzadziej się zacinają i łatwiej nimi sterować.
 - Używaj elektronarzędzi, akcesoria, końcówki itp. zgodnie z tymi instrukcjami, biorąc pod uwagę warunki pracy i realizowane zadania.** Używanie narzędzi do wykonywania prac niezgodnych z ich przeznaczeniem może doprowadzić do niebezpiecznych sytuacji.
 - Utrzymuj rękojeści oraz powierzchnie uchwytów suchą, czystą bez oleju i smaru.** Śliskie uchwytory nie zapewniają bezpiecznej obsługi i kontroli narzędzia w nieoczekiwanych sytuacjach.
 - Serwis**

Urządzenie powinno być serwisowane przez wykwalifikowany personel naprawy przy użyciu wyłącznie oryginalnych części zamiennych. Zagwarantuje to bezpieczeństwo elektronarzędzia.

Dodatkowe zasady bezpieczeństwa dotyczące korzystania z frezarek

⚠️ OSTRZEŻENIE

- Należy trzymać urządzenie wyłącznie za izolowane uchwyty gdyż może dojść do nagłego kontaktu ostrzy z przewodem zasilania. Przejęcie kabla pod napięciem może spowodować, że odsłonięte elementy metalowe staną się przewodnikiem prądu i mogą grozić porażeniem prądu operatora.
- Zaleca się korzystanie z zacisków, bądź innej podobnej metody do zabezpieczenia elementu obróbki na stabilnym podłożu. Przytrzymanie obrabianego elementu rękoma bądź operacją go o siebie, sprawia, że jest on niestabilny i stanowi ryzyko utraty kontroli.
- W razie konieczności wymiany przewodu zasilania, należy jej dokonać przez producenta bądź jego powiernika, aby uniknąć ryzyka bezpieczeństwa.
- Zalecane jest zasilanie urządzenia tylko z wykorzystaniem wyłącznika różnicowoprądowego (RCD) o znamionowym prądzie różnicowym nie przekraczającym 30 mA.
- a) Należy stosować środki ochrony osobistej, w tym okulary ochronne albo maskę, ochraniając słuch, maskę przeciwpyłową oraz odzież ochronną, w tym rękawice ochronne
- b) Nie należy pozostawiać w obszarze roboczym odzieży, przewodów, sznurów itp.
- c) Upewnij się, napięcie zasilania sieci jest taka sama jak napięcie określone na tabliczce znamionowej
- d) Upewnij się, że przedłużacze używane przy narzędziu są w bezpiecznym stanie elektrycznym i posiadają prawidłowy amperaż, odpowiedni dla danego narzędzia
- e) Należy całkowicie rozwijać przedłużacze bębnowe, aby uniknąć przegrzania
- f) Stosować odpowiednie detektory celem ustalenia, czy w obszarze roboczym ukryte są jakiegokolwiek przewody. Skonsultuj się z przedsiębiorstwami o pomoc, w razie konieczności. Kontakt z przewodami elektrycznymi lub gazowymi może doprowadzić do porażenia prądem i pożaru. Uszkodzenie rury gazowej może doprowadzić do wybuchu. Kontakt z liniami wodnymi może doprowadzić do poważnego uszkodzenia mienia.
- g) Przed rozpoczęciem obróbki upewnij się, że z przedmiotu obrabianego zostały usunięte wszystkie osadzone w nim elementy, takie jak gwóźdź i śruby.
- h) Ostrożnie obchodź się z frezami, ponieważ mogą być one bardzo ostre
- i) Przed skorzystaniem z frezu dokładnie sprawdź go pod kątem uszkodzeń lub pęknięć. Należy niezwłocznie wymienić uszkodzone lub pęknięte frezy
- j) Upewnij się, że frezy/bity są odpowiednio konserwowane. Zużyte krawędzie tnące mogą doprowadzić do niekontrolowanej sytuacji, jak zwiększenie ciepła i możliwych obrażeń
- k) **ZAWSZE** Stosuj oba uchwyty frezarki i przed rozpoczęciem pracy upewnij się, że możesz dobrze i prawidłowo chwycić urządzenie
- l) Uchwyty oraz ich powierzchnia powinna być sucha, czysta bez oleju i smaru, aby się upewnić, że urządzenie może być bezpiecznie trzymane podczas pracy
- m) Przed rozpoczęciem cięcia na chwilę uruchom urządzenie. W przypadku nieprawidłowego zainstalowania frezu odczujesz wibracje
- n) Sprawdź kierunek obrotów frezu i kierunek posuwu
- o) Trzymaj ręce z dala od obracającej się frezu. Trzymaj dodatkową rękę jeśli bądź izolowany uchwyty drugą ręką
- p) Nigdy nie uruchamiaj frezarki, jeśli frez dotyka przedmiotu obróbki
- q) Przy obsłudze w trybie ręcznym, upewnij się, że zamocowana jest sprężyna trzpienia węgelnego
- r) Przed wcięciem do pozycji blokady tulei zaciskowej upewnij się, że frez jest całkowicie zatrzymany
- s) Maksymalna prędkość bitu/frezu musi być przynajmniej tak szybka jak maksymalna szybkość urządzenia
- t) Nie dotykaj frezów bezpośrednio po zakończeniu użytkowania narzędzia - ulegają one silnemu nagrzananiu. Zaraz po zakończeniu pracy nie dotykaj akcesoriów, gdyż grozi to poparzeniem
- u) Nie pozwól aby części urządzenia dotykały materiałów łatwopalnych
- v) Należy stosować wyłącznie frezy o średnicy trzonu odpowiadającej tulei lub tulejom zaciskowym dostarczonym w danej frezarce. Niepoprawnie zamontowane bity/frezy będą nierówno się obracać, co wzmocze siłę wibracji, co może być powodem utraty kontroli
- w) **NIE** wiskaj przycisku blokady wrzeczona, bądź nie próbuj dokonać wymiany akcesoriów, kiedy frezarka znajduje się w stanie pracy
- x) Utrzymuj to samo napięcie podczas pracy w materiale, pozwalając frezowi dyktować prędkość cięcia. **NIE** przeciągaj urządzenia, ani silnika
- y) Upewnij się, że tabliczka znamionowa oraz inne ostrzeżenia, znajdujące się na maszynie są czyste i łatwe do odczytania, w razie zniszczenia należy je natychmiast wymienić
- z) Podczas operowania maszyną, należy być przygotowanym na zakleszczenie się frezu w materiale, a co za tym idzie utratę kontroli. Miej pewność, że maszyna jest mocno i pewnie trzymana, zaś wyłącznik on/off jest natychmiastowo zwolniony w podobnych okolicznościach
- Po włączeniu frezarki, należy sprawdzić, czy frez obraca się równomiernie, bez odczuwalnych wibracji, które wskazują na niepoprawne zamontowanie frezu.

Korzystanie z frezarki z niepoprawnie zamontowanym bitem, może spowodować utratę kontroli i grozi obrażeniami

- **Podczas korzystania z frezów o średnicy większej niż 50 mm (2") należy zachować SZCZEGÓLNA ostrożność.** Stosuj bardzo powolny posuw i / lub wykonuj wiele płytkich cięć, aby uniknąć przecięcia silnika
- **Przed zdjęciem urządzenia z przedmiotu obróbki należy ZAWSZE wyłączyć narzędzie i zacczekać, aż frez całkowicie się zatrzyma**
- **Należy odłączyć urządzenie od zasilania przed przeprowadzaniem wszelkich czynności regulacyjnych, serwisowych lub konserwacyjnych**
- **Pomimo zastosowania się do następujących instrukcji obsługi narzędzia nie jest możliwe wyeliminowanie wszystkich czynników ryzyka resztkowego.** Nie korzystaj z urządzenia w przypadku pojawienia się wątpliwości dotyczących jego bezpiecznego użytkowania.

⚠️ **OSTRZEŻENIE:** Pył wytwarzany podczas pracy z elektronarzędziem może być toksyczny. Niektóre materiały mogą być pokryte chemicznymi substancjami, które stanowią zagrożenie toksyczne. Niektóre materiały naturalne bądź kompozytowe także mogą zawierać toksyczne substancje chemiczne. Niektóre stare farby mogą zawierać ołów bądź inne substancje chemiczne. Unikaj długotrwałego narażenia pyli i kurz wytwarzany podczas pracy frezarką. **NIE WOLNO** pozwolić na to, aby pył/kurz dostał się do oczu, skóry, ani ust, aby zapobiec wchłanianiu szkodliwych substancji chemicznych. W miarę możliwości zaleca się pracę w dobrze wentylowanym pomieszczeniu. Jeśli jest to możliwe, zaleca się korzystanie z masek oraz systemu odsysania pyłu. W przypadku większej ekspozycji na kurz, wszystkie środki bezpieczeństwa muszą być przestrzegane, a wyższe środki ochrony używane.

Prezentowanie produktu

1. Ogranicznik głowicy rewolwerowej
 2. Uchwyt
 3. Ogranicznik głębokości
 4. Odpowietrzniki boczne
 5. Pokrętło blokujące ogranicznik głębokości
 6. Silnik
 7. Pokrywa powrotna przełącznika zasilania
 8. Przełącznik zasilania On/Off
 9. Osłona szczytki
 10. Regulator prędkości
 11. Dźwignia blokady trzpienia
 12. Osłony zabezpieczające
 13. Pokrętło mocujące przedłużenia przewodnika
 14. Złącze pokrętła regulacji wysokości stołu
 15. Przyłącze do odsysania pyłu
 16. Automatyczna blokada wrzeczona
 17. Pierścieni sprzęgła uchwyty pokrętła
 18. Przycisk wyboru trybu trzpienia węgelnego
 19. Rękojeść – pokrętło
 20. Mikropokrętło
 21. Osłona dostępu sprężyny trzpienia
 22. Węjście na klucz obejścia NVR
 23. Przewodnica
 24. Tuleja zaciskowa (x2)
 25. Pokrętło regulacji wysokości stołu
 26. Klucz
 27. Trzpień obrotowy
 28. Przedłużenie płyty bazowej
 29. Klucz obejścia
 30. Zestaw 4 śrubek (990.467.00) do mocowania frezarki CMT7E do stołu oraz CMT3005B
- Rys. II**
- A. ¼ x 4
 - B. M6 x3
 - C. Wcięcie na pokrętło regulacji stołu

Zastosowanie zgodne z przeznaczeniem

Precyzyjna frezarka górnorzęcionowa do zastosowania z uchwytemi zaciskowymi wielkości: 12" i 12 mm (w zależności od zainstalowanej tulei). Przeznaczona do wycinania profilu, rowkowania krawędzi i wydłużonych otworów w drewnie naturalnym i kompozytowym. Stosowana również z pierścieniami kopijującymi oraz szablami do wycinania kształtów, wzorów oraz do stacjonarnego użytku z kompatybilnymi stołami do frezowania.

Urządzenie może być wykorzystane TYLKO do zastosowań zgodnych z jego przeznaczeniem. Jakikolwiek inne użycie niż te wymienione w niniejszej instrukcji, będzie uważane za przypadek nadużycia. Użytkownik, a nie producent, ponosi odpowiedzialność za jakiegokolwiek uszkodzenia lub szkody powstałe w wyniku niepoprawnego użytkowania. Producent nie ponosi odpowiedzialności za jakiegokolwiek modyfikacji narzędzia ani za szkody powstałe w wyniku próby modyfikacji.

Rozpakowanie urządzenia

- Ostrożnie rozpakuj i sprawdź produkt. Zapoznaj się ze wszystkimi mechanizmami i funkcjami.
- Upewnij się, że produkt zawiera wszystkie części i są one w dobrym stanie.

Przygotowanie do eksploatacji

⚠️ OSTRZEŻENIE: Przed podłączeniem lub wymianą akcesoriów upewnij się, że narzędzie jest odłączone do źródła zasilania.

⚠️ OSTRZEŻENIE: Okresowo, podczas długotrwałego użytkowania lub gdy frezarka była transportowana lub upuszczona, należy sprawdzać, czy osłona dostępu do sprężyny zanurzeniowej (21) jest prawidłowo umieszczona i zabezpieczona na swoim miejscu. Powinna być umieszczona równoległe do korpusu narzędzia bez widocznej szczeliny, a śruba zabezpieczająca powinna być prawidłowo umieszczona, aby zapobiec przypadkowemu odkręceniu osłony dostępu do sprężyny zanurzeniowej, patrz ilustracja O. Sprężyna zanurzeniowa jest naprzężona z wystarczającą siłą, aby spowodować poważne obrażenia, jeśli zostanie wypuszczony w niekontrolowanym doworze. Zawsze postępuj zgodnie z instrukcjami podczas wymiowania i wymiany sprężyny nurkowej.

Mocowanie tulei zaciskowej i frezu

Uwaga: Należy nosić rękawice ochronne podczas mocowania i wymiowania frezu, ze względu na jego ostre krawędzie.

1. Umieść frezarkę do góry nogami na płaskiej powierzchni, z silnikiem kompletnie nieruchomym, zaś przewodem zasilania wyciągniętym ze źródła zasilania
2. Zanurz frezarkę na swoją maksymalną głębokość przez wciśnięcie pierścienia sprzęgła pokrętła na uchwycie (17) (zdjęcie B) do środka i obrócenie rękójki – pokrętła (19) w prawo do momentu, kiedy tuleja zaciskowa (24) będzie wystawać z podstawy.

Uwaga: Upewnij się, że ogranicznik głębokości (3) jest całkowicie schowany (patrz Ogranicznik głębokości oraz głowicy rewolwerowej). Tuleja zaciskowa powinna wystawać z podstawy, umożliwiając na łatwy dostęp dla klucza

3. Przy pomocy klucza (26) dołączonego w zestawie, poluzuj tuleję zaciskową poprzez odkręcenie jej w kierunku odwrotnym do ruchu wskazówek zegara
4. Wybierz odpowiednią tuleję zaciskową i zainstaluj w uchwycie (2) poprzez skrócenie tulei w kierunku zgodnym z ruchem wskazówek zegara
5. Włóż frez w środek tulei upewniając się, że przynajmniej 20 mm (13/16") bądź połowa trzpienia (w zależności, co jest większe) jest włożona w tuleję, po czym użyj klucza, aby lekko obrócić tuleję, by została poprawnie umieszczona w maszynie (zdjęcie C). Po czym użyj klucza, aby dokręcić frez w kierunku zgodnym z ruchem zegara
6. Odwróć frezarkę do normalnej głębokości pracy. Spowoduje to wyłączenie blokady tulei i uwolni przełącznik On/Off (8)

Przyłącze do odsysania pyłu

Uwaga: Frezarka CMT wyposażona jest w przyłącze do odsysania pyłu (15) w celu usuwania wirów z nad obszaru cięcia. Nadaje się ono do przyłączenia węża o średnicy zewnętrznej 38 mm (1½").

- Wąż przykręcony jest w odpowiednim miejscu za pomocą gwintu lewoskrętnego (kręćąc w lewo), (Zdjęcie D)

Przedłużenie płyty bazowej oraz mocowanie przewodnicy

1. Zlokalizuj dwa pokrętła mocujące przedłużenie przewodnicy (13) i poluzuj je całkowicie. Pozwoli to na wprowadzenie kołków montażowych w otwory frezarki na przedłużeniu płyty bazowej (28)
2. Odwróć frezarkę i przedłużenie płyty bazowej do góry nogami
3. Wciśnij pokrętła mocujące na frezarce, aby odkryły kołki montażowe
4. Wyrównaj kołki montażowe z otworami mocującymi frezarki w rozszerzonej płycie bazowej i wsuń je w otwory w kształcie dziurki od klucza (zdjęcie E)

Uwaga: Orientacja rozszerzonej płyty bazowej zależy od tego, gdzie wymagana jest podpora. Do pracy na krawędzi materiału, znajdź przełącznik zasilania On/Off (11), na krótkim boku wystającej podstawy.

5. Przykręć pokrętła mocujące przedłużenie płyty bazowej na zanurzonej frezarce solidnie, aby ją zabezpieczyć do przedłużenia płyty bazowej
6. W celu zamocowania przewodnicy (23) poluzuj pokrętła blokady przewodnicy i wsuń przewodnicę wzdłuż torów na przedłużeniu płyty bazowej (zdjęcie L). Zablokuj przewodnicę w żądanym ustawieniu dokręcając oba pokrętła blokady przewodnicy.

Uwaga: W przypadku wycinania żłobieni w pewnej odległości od krawędzi, zamocuj przewodnicę na dłuższym krańcu przedłużenia płyty podstawy.

Uwaga: W przypadku wykonywania obróbki krawędzi za pomocą naprowadzanego frezu bezłożyskowego, zamocuj kątownik na krótszym krańcu przewodnicy (zdjęcie J).

Uwaga: W przypadku frezu o bardzo dużej średnicy możliwa jest konieczność zamocowania na bokach ogranicznika przy użyciu otworów szrubowych drewnianych klozków w celu zabezpieczenia frezu przed kontaktem z kątownikiem.

Obsługa

⚠️ OSTRZEŻENIE: Należy ZAWSZE nosić odpowiednie wyposażenie ochronne, w tym okulary ochronne, nasłuchnik przeciwhałasowe, maskę przeciwpyłową podczas pracy powyższym urządzeniem.

Włączanie i wyłączanie

Uwaga: Kiedy frezarka jest podłączona do źródła zasilania, przełącznik zasilania On/Off (8) będzie świecił zarówno w pozycji 'on' jak i 'off'.

Uwaga: Pokrywa powrotna przełącznika zasilania (7) zapobiega przypadkowemu uruchomieniu frezarki. Dlatego też musi być zadźgnięta zanim frezarka zostanie uruchomiona. Osłona pozostanie otwarta, dopóki frezarka nie zostanie wyłączona.

1. Upewnij się, że frezarka znajduje się na maksymalnym rozszerzeniu swojego przejścia, zaś frez nie dotyka żadnych obcych elementów, kiedy jest podłączona do zasilania
2. Podłącz przewód zasilania i przesuń pokrwy powrotną przełącznika zasilania On/Off, aby odsłonił włącznik
3. Wciśnij przełącznik zasilania On/Off na pozycję '1', aby uruchomić frezarkę. Kiedy przełącznik zasilania On/Off znajduje się w tej pozycji, pokrywa powrotna przełącznika zapobiegnie odsłonięciu tego przełącznika
4. Aby wyłączyć frezarkę, wciśnij przełącznik On/Off, na pozycję '0'. Pokrywa powrotna przesuśnie się na swoją pierwotną pozycję.

Płynna regulacja prędkości

Uwaga: Wartości prędkości frezarki nie są krytyczne. Generalnie, należy stosować najwyższą prędkość, przy której frezarka nie pozostawi na przedmiocie obróbki śladów przypalenia. Jeśli jest to wymagane, należy zawsze przestrzegać fabrycznych ograniczeń prędkości maksymalnych.

- Obsługa przy zredukowanej prędkości zwiększa ryzyko uszkodzenia frezarki w wyniku przecięcia. Stosuj bardzo powolny posuw i / lub wykonuj wiele płytkich cięć.
- Regulator prędkości (10) posiada skalę od 1 do 5, odpowiadającą w przybliżeniu podanym poniżej prędkości i średnicom frezów. Przekręć tarczę regulatora, aby ustawić wybraną prędkość.

Ustawienie	Obr./min	Średnica cięcia
5	21.000	Do 25 mm (1")
4	18.000	25 – 50 mm (1" - 2")
3	14.500	50 – 65 mm (2" – 2-1/2")
2	11.000	Powyżej 65 mm (2-1/2")
1	8.000	Stosuj wyłącznie w przypadku wystąpienia przypalenia

Regulacja głębokości cięcia

WAŻNE:

JEŚLI NIE PRZESTRZEŻASZ TYCH INSTRUKCJI, USZKODZISZ MECHANIZM ZANURZENIOWY.

ZAWSZE upewnij się, że dźwignia blokady trzpienia (11) jest odblokowana, ustawiając ją w najwyższej pozycji przed regulacją głębokości cięcia za pomocą poniższych metod. Trzpień wolny swobodny lub „Regulacja rękojści-pokrętła”.



Uwaga: Aby zablokować frezarkę, na wymaganą głębokość cięcia, należy zanurzyć głowicę maszyny i obrócić dźwignię blokady trzpienia (11). Spowoduje to utrzymanie głowicy frezarki w takiej pozycji.

- W zależności od wymaganej dokładności i kontroli dostępne są trzy metody regulacji głębokości cięcia:

Trzpień wgłębny swobodny

1. Regulacja głębokości w trybie trzpienia wgłębego swobodnego może zostać przeprowadzona przy włączeniu przycisku wyboru głębokości trzpienia wgłębego (18). Naciśnij go głęboko, aż do zatrzasknięcia wewnątrz uchwytu (zdjęcie A)
2. **Zwolnij dźwignię blokady trzpienia wgłębego (11)** i pchnij korpus frezarki, aż do osiągnięcia żądanej głębokości. Zablokuj dźwignię blokady trzpienia wgłębego.

Regulacja rękojści - pokrętła

1. Regulację głębokości zanurzenia można dokonać dzięki przegięciu rękojści – pokrętła (19)
2. Zwolnij przycisk wyboru głębokości trzpienia wgłębego (6) i upewnij się, że przycisk znajduje się na równi z rękojścią – pokrętłem
3. Aby uwolnić rękojść, pociągnij pierścień sprzęgła pokrętła na uchwycie (17) do środka (zdjęcie B)
4. **Zwolnij dźwignię blokady trzpienia wgłębego (11)** i obróć rękojść – pokrętło, dopóki żądana głębokość cięcia zostanie nieosiągnięta. Zwolnij pierścień sprzęgła pokrętła na uchwycie i zablokuj dźwignię blokady trzpienia wgłębego

Mikropokrętło

Uwaga: Do użycia wyłącznie z rękojścią – pokrętłem (19) w trybie zanurzenia wyłącznicie.

1. Zwolnij przycisk wyboru głębokości trzpienia wgłębego (18), i **upewnij się, że dźwignia blokady trzpienia wgłębego (11) jest odblokowana**
- Uwaga:** Jeśli Mikropokrętło (20) jest włączone w momencie, gdy dźwignia blokady trzpienia jest zablokowana, zacznie ono klikać, a głębokość cięcia nie ulegnie zmianie.
2. Obróć mikropokrętło w prawo, aby zwiększyć głębokość cięcia i w lewo, aby ją zmniejszyć. Dostosuj głębokość cięcia, aż zostanie osiągnięta żądana wysokość

- Uwaga:** W momencie osiągnięcia końca zasięgu regulacji głębokości cięcia, mikropokrętło napotka większy opór i zacznie „klikać”.
3. Zablokuj dźwignię blokady trzpienia wgłębego, w szczególności w przypadku obróbki ciężkiej

Ogranicznik głębokości i głowicy rewolwerowej

1. Ogranicznik głębokości (3) i ograniczniki głowicy rewolwerowej (1) wykorzystywane są w celu dokładnego zaprogramowania do trzech głębokości cięcia
2. Poluzuj pokrętło blokujące ogranicznika głębokości (5) i całkowicie cofnij ogranicznik głębokości, a następnie dokręć pokrętło (zdjęcie F)
3. Ustaw pokrętło tarczowe głowicy rewolwerowej na żądaną głębokość (żądaną głębokości) cięcia za pomocą skali umieszczonej na trzonie głowicy (zdjęcie G)

Uwaga: Aby zmienić ogranicznik głowicy rewolwerowej, należy obrócić całą głowicę wyrównując wraz z ogranicznikiem głębokości.

4. Po zamontowaniu frezu na tulei zaciskowej (24), wyreguluj głębokość cięcia, aż czubek frezu wyrówna się z twoją podstawą odniesienia
5. Obróć głowicę rewolwerową, aż zamocowany trzon głowicy wyrówna się z ogranicznikiem głębokości. Zwolnij ogranicznik umożliwiając mu zaszkoczenie za trzpień, a następnie dokręć. Głębokość zanurzenia powinna być teraz ustawiona na zero
6. Ponownie obróć głowicę, aby śruba wybranego pokrętła tarczowego wyrównała się z ogranicznikiem

Cięcie

Uwaga: NIGDY nie wolno operować frezarką z wolnej ręki bez jakiegokolwiek formy prowadnicy. Rodzaj takiego przewodnika może być zapewniony przez frez z łożyskiem, prowadnicę równoległą oraz prostą krawędź (zdjęcie I).

1. Należy ZAWSZE trzymać frezarkę obiema rękoma na uchwytach. Upewnij się, że przedmiot obróbki nie przesuwa się. Skorzystaj ze ścisków stolarskich, jeśli to możliwe
2. Pozwól silnikowi na osiągnięcie maksymalnej prędkości, na którą został ustawiony
3. Zanurz frez w przedmiocie obróbki podczas powolnego przesuwania frezarki, utrzymując płytę podstawy płasko naprzeciw obrabianego materiału
4. W przypadku ścinania krawędzi, cięcie materiału powinno się odbywać po lewej stronie względem kierunku cięcia (rys. I). Utrzymuj taki sam nacisk i pozwól frezowi na powolną pracę w materiale. Miej świadomość, iż jeśli okraj inne sytuacje spowolnią tempo postępu

Uwaga: Aby uniknąć szarpania frezu, należy skierować cięcie w kierunku odwrotnym do ruchu wskazówek zegara dla cięć zewnętrznych, zaś dla cięć wewnętrznych pracować zgodnie z ruchem wskazówek zegara.

Uwaga: Zbyt szybkie przesuwanie frezarki może spowodować kiepską jakość wykończenia i przeciążenie silnika (6). Zaś zbyt wolna praca frezarką może sprawić przegrzanie materiału obróbki.

Uwaga: Normalna obsługa frezarki polega na zanurzeniu głowicy urządzenia po uruchomieniu maszyny.

Uwaga: Nie wolno obsługiwać frezarki do góry nogami, chyba, że jest bezpiecznie zamontowana na stole przeznaczonym do takiej maszyny (np. marki CMT).

Wykonywanie wielokrotnych cięć

1. Ogranicznik głowicy rewolwerowej (1) pozwala na osiągnięcie maksymalnej głębokości cięcia w ilości etapów określonych przez operatora. Każdy etap może być skonfigurowany poprzez ustawienie pokrętła na słupku rewolwerowym
2. Obróć głowicę rewolwerową, tak, aby ogranicznik głębokości (3) dotknął najwyższej ustawionej słupka głowicy rewolwerowej, kiedy frezarka zostanie zanurzona. Pierwsze cięcie może zostać teraz wykonane
3. Kontynuuj wykonywanie cięć, obracając głowicę rewolwerową i dostosowując głębokość słupków rewolwerowych do każdego cięcia, kiedy jest to konieczne, dopóki pełna głębokość cięcia zostanie osiągnięta

Wycinanie okręgów

1. Przymocuj przedłużenie prowadnicy (28), bez prowadnicy (23) zamontowanej do frezarki
 2. Usuń trzpień obrotowy do cięcia okręgowego (27) z przedłużenia do prowadnicy i zamocuj go przez niewielki otwór w trzpieniu na środku elementu obróbki za pomocą małego gwóźdźka lub śrubki (Zdjęcie M). Zostaw mocowanie śruby w miejscu
 3. Opuść frezarkę i prowadnicę frezarki na trzpień obrotowy i ponownie zamocuj podkładkę oraz nakrętkę motylkową (Zdjęcie N)
 4. Przy wylączonym zasilaniu obróć frezarkę wzdłuż planowanego toru cięcia, aby sprawdzić, czy wykona okrąg i, jeśli to konieczne, dokonaj niezbędnej korekty.
 5. Wycinaj okrąg poprzez wykonanie kilku cięć, za każdym razem zwiększając głębokość cięcia o około 2 mm (3/32”) (zdjęcie N). Nie próbuj wycinać głębokiego okręgu za pierwszym podejściem
- Cięcie na wylot: W przypadku przecinania materiału na wylot zamocuj pod przedmiotem obróbki płytę protektorową. Wytnij okrąg o zbyt dużym rozmiarze, a następnie, po przecięciu na wylot, zredukuj średnicę i docinaj materiał do żądanej rozmiaru wykonując delikatne cięcia na pełnej głębokości.

Obsługa urządzenia zamontowanego na stole

Uwaga: mocowanie i obsługa frezarki na stole frezerskim powinny być przeprowadzane zgodnie z instrukcjami złączonymi do stołu frezerskiego.

Uwaga: Choć produkt ten został zaprojektowany do wydajnego i sprawnego działania na większości stołów frezerskich, nadaje się on do użytku szczególnie w połączeniu z Precyzyjnym panelem do frezarki górnorzęzionej CMT.

Uwaga: Regulacja frezarki jest niezwykle łatwa dzięki unikalnym funkcjom opisanym powyżej w niniejszej instrukcji obsługi. Patrz rozdziały „Mocowanie i wymiana frezów”, „Regulacja głębokości ciężcia”.

WAŻNE: Przed zamontowaniem frezarki na stole frezerskim NALEŻY usunąć sprężynę trzpienia:

1. Ustaw frezarkę na przedziale trzpienia i zablokuj dźwignię blokady trzpienia (T1)
2. Poluzuj niewielką śrubkę znajdującą się obok osłony dostępu sprężyny trzpienia (Z1) (zdzjęcie O)
3. Za pomocą dłoni, nacisnij w dół osłonę dostępu do sprężyny zanurzeniowej i mocno chwyc osłonę dostępu do sprężyny zanurzeniowej drugą ręką, aby zapobiec wystrzeleniu sprężyny w górę po zwolnieniu. Utrzymując mocno w dół i mocny chwyt, przekręć osłonę dostępu do sprężyny zanurzeniowej w kierunku przeciwnym do ruchu wskazówek zegara, aby ją zdjąć (wyjmij sprężynę i odłóż w bezpieczne miejsce (zdzjęcie P))

OSTRZEŻENIE: Sprężyna zanurzeniowa jest napinana z dużą siłą, aby umożliwić płynne zanurzenie. Osłona dostępu do sprężyny zanurzeniowej i sprężyna zanurzeniowa wystrzelą szybko z taką samą siłą po odkręceniu. Uważaj, aby nie zwolnić osłony dostępu do sprężyny zanurzeniowej w niekontrolowanej pozycji, ponieważ może to spowodować obrażenia ciała.

4. Po zwolnieniu pozwolił osłonie dostępu do sprężyny zanurzeniowej podnieść się do góry (zdzjęcie Q)
5. Wyjmij sprężynę i przechowaj w bezpiecznym miejscu
6. Ponownie załóż osłonę dostępu sprężyny trzpienia i dokręć śrubkę

OSTRZEŻENIE: Podczas ponownego wkładania sprężyny zanurzeniowej należy dokładnie sprawdzić, czy osłona dostępu do sprężyny zanurzeniowej jest prawidłowo zamocowana. Powinien być ustawiony równoległe do korpusu narzędzia bez widocznej szczeliny, a śruba mocująca powinna być prawidłowo umieszczona, aby zapobiec przypadkowemu odkręceniu osłony dostępu do sprężyny zanurzeniowej.

UWAGA: Pamiętaj, aby zamontować sprężynę trzpienia przed ponownym skorzystaniem z frezarki w trybie ręcznym.

WAŻNE: Przed zamontowaniem frezarki pod stołem frezarki upewnij się, że pokrętko blokady głębokości (5) jest poluzowane, a poziom blokady zagłębienia (T1) jest w pozycji odblokowanej.

- Pokrętko regulacji wysokości stołu (Z5) współpracuje ze złączem dla pokrętła regulacji wysokości stołu (14), umożliwiając szybką i łatwą regulację wysokości nad stołem, gdy frezarka jest zamontowana na blacie

Instalowanie klucza obejściowego bez napięciowego zwolnienia:

Frezarka górnorzęzionej CMT7E posiada funkcję No Voltage Release (NVR), czyli, braku zwolnienia napięcia, który zapobiega automatycznemu ponownemu uruchomieniu silnika po przerwaniu zasilania. Aby zresetować narzędzie, przełącznik należy ustawić w pozycji OFF przed ponownym włączeniem. W przypadku użycia z CMT Workcentre (z CMT blatem do frezarki) lub stołem do frezarki innej firmy, który ma własne zabezpieczenie NVR, tę funkcję można ominąć, wkładając klucz obejściowy NVR (Z9). Umożliwia to sterowanie włączeniem / wyłączeniem narzędzia za pomocą przełącznika ON / OFF na stole frezerskim.

1. Wkręć klucz obejściowy NVR w wejście klucza obejściowego NVR (Z2) i delikatnie dokręć (zdzjęcie T)
2. Przyjmując uchwyt do spodu Workcentre (zdzjęcie U)
3. Uruchom frezarkę, korzystając z przełącznika ON/OFF na blacie do frezarki, aby sterować urządzeniem

OSTRZEŻENIE: Klucza obejściowego NVR należy używać WYŁĄCZNIE, gdy frezarka jest podłączony do źródła zasilania, które samo jest chronione przez system ochrony przed zwolnieniem napięcia, taki jak CMT Workcentre. ZAWSZE upewnij się, że uchwyt jest zamontowany do stołu frezarki, aby uniknąć przypadkowego usunięcia frezarki bez wyjmowania klucza obejściowego.

Ważne

1. Do zamontowania frezarki na stole CMT, stole innej marki lub zrobionym własnoręcznie odkręć 4 śrubki trzymające czarną podstawę tak jak na Rysunku S.
2. Wyróżniamy 2 typy otworów gwintowanych pod śruby jak pokazano na rysunku II (Fig.II).
- A: 4 gwintowane otwory śrubowe UNC, które służą zabezpieczeniu bazy frezarki oraz mocowaniu jej do stołu frezerskiego
- B: 3 otwory gwintowane M6
3. Użyj 4 załączony śrub (poz. 30).

Uwaga: Śruby M6 nie są dostępne w wcześniejszych wersjach frezarki CMT (sprzed 2022)

Aksesoria

Szeroka gama odpowiednich akcesoriów i części zamiennych jest dostępna u Twojego dealera CMT, między innymi:

- • Duży wybór frezów
- • Wstępnie nawiercone bazy frezarskie (rysunek H) do akcesoriów CMT
- • Piersieniec prowadzący
- • Tuleje zaciskowe
- • Szczotki węglowe

Konserwacja

OSTRZEŻENIE: ZAWSZE przed przeprowadzeniem czynności konserwacyjnych/czyszczenia odłącz ładowarkę od źródła zasilania.

Kontrola rutynowa

- Regularnie sprawdzaj, czy wszystkie śruby mocujące są odpowiednio dokręcone.
- Sprawdź przewod zasilania urządzenia pod kątem uszkodzeń i zużycia za każdym razem przed rozpoczęciem użytkowania urządzenia. Naprawy powinny być przeprowadzane przez autoryzowane centrum serwisowe. Zalecenie to dotyczy również przewodów zasilania wykorzystywanych przy urządzeniu.

Czyszczenie

OSTRZEŻENIE: Zawsze podczas czyszczenia urządzenia stosuj środki ochrony osobistej, takie jak okulary i rękawice ochronne.

- Należy zawsze dbać o czystość urządzenia. Brud i kurz powodują szybsze zużycie elementów wewnętrznych i skracają okres eksploatacji urządzenia
- Należy czyścić korpus urządzenia miękką szczotką lub suchą ściereczką
- Do czyszczenia elementów plastikowych nie należy używać środków żrących. Jeśli czyszczenie na sucho nie przynosi wystarczających efektów, zalecane jest użycie wilgotnej szmatki i łagodnego detergentu.
- Nie wolno dopuszczać do kontaktu urządzenia z wodą
- Upewnij się, że urządzenie jest całkowicie suche przed ponownym włączeniem
- Jeśli to możliwe, przedmuchaaj otwory wentylacyjne czystym powietrzem sprężonym (w stosownych przypadkach)

Smarowanie

- Lekko nasmaruj wszystkie ruchome części w regularnych odstępach czasu odpowiednim smarem w sprayu

Szczotki

- Szczotki węglowe wewnątrz silnika (6) mogą ulec zużyciu z biegiem czasu
- Nadmierne zużycie szczotek może powodować utratę mocy, sporadyczne awarie lub widoczne iskrzenie.
- W celu wymiany szczotek, należy wykręcić osłonę dostępu do szczotek (9) z obu stron maszyny. Wyjmij szczotki zużyte (zdzjęcie R) i włóż nowe. Włóż z powrotem osłonę dostępu do szczotek
- Po zamontowaniu szczotek uruchom frezarkę na 2 – 3 minuty, aby pomóc szczotkom zagnieździć się w urządzeniu. Pełny proces zagnieźdzenia się szczotek może wymagać kilku użyc. Może nastąpić iskrzenie silnika
- W innym przypadku przekaż urządzenie do autoryzowanego punktu serwisowego

Kontakt

Jeśli masz pytanie dotyczące użytkowania lub serwisu skontaktuj się proszę z krajowym dealarem naszej marki.

Strona online: www.cmtorangetools.com

Przechowywanie

- Należy przechowywać narzędzie w bezpiecznym, suchym miejscu niedostępnym dla dzieci

Utylizacja

Należy zawsze przestrzegać przepisów krajowych dotyczących utylizacji elektronarzędzi, które nie są już funkcjonalne i nie nadają się do naprawy.

- Nie wyrzucaj elektronarzędzi lub innych odpadów elektrycznych i elektronicznych (WEEE) wraz z odpadami komunalnymi.
- Skontaktuj się z władzami lokalnymi zajmującymi się utylizacją odpadów, aby uzyskać informacje na temat prawidłowego sposobu utylizacji elektronarzędzi

Rozwiązywanie problemów

Problem	Możliwa przyczyna	Rozwiązanie
Brak reakcji po wciśnięciu przełącznika zasilania (8)	Brak zasilania	Sprawdź źródło zasilania
	Uszkodzony przełącznik zasilania On/Off	Wymień przełącznik zasilania On/Off w autoryzowanym serwisie CMT
Niepoprawne cięcie	Ogranicznik głębokości (3) nieprawidłowo dostosowany	Upewnij się, że ogranicznik głębokości odpowiada maksymalnej wysokości cięcia dozwolonej przez (1) ograniczniki głowicy rewolwerowej
	Nieprawidłowo zamontowany bądź poluzowany frez/tuleja zaciskowa (24)	Przykręć frez/tuleję zaciskową
Frezarka nie działa	Brak zasilania	Sprawdź źródło zasilania
	Szczotki są zużyte lub przywierają	Odłącz zasilanie, otwórz osłonę szczotek (9) i upewnij się, że nie są uszkodzone bądź nadmiernie zużyte
	Usterka włącznika	Należy naprawić urządzenie w autoryzowanym centrum serwisowym CMT
	Zwarcie lub uszkodzenie obwodu komponentów silnika	Naostrz lub wymień frez
Frezarka pracuje wolno	Tępy lub uszkodzony frez	Zwiększ ustawienia na regulacji prędkości
	Regulator prędkości (10) ustawiony nisko	Zwiększ ustawienia na regulacji prędkości
	Przeciążony silnik	Zmniejsz nacisk nakładany na urządzenie
Frezarka ulega nadmiernym wibracjom	Niepoprawnie zamontowany frez	Włóż ponownie bądź dokręć frez
	Skrzywiony bądź uszkodzony frez	Wymień frez
Intensywne iskrzenie wewnątrz obudowy silnika	Szczotki poruszają się nierówno	Sprawdź szczotki węglowe i wymień w razie konieczności w autoryzowanym serwisie CMT
	Zwarcie lub otwarcie obwodu	Należy naprawić urządzenie w autoryzowanym centrum serwisowym CMT
Mikropokrętko (10) "klika" i nie ulega regulacji	Dźwignia blokady trzpienia (11) załączona	Zwolnij dźwignię blokady trzpienia
	Osiągnięto pełną wysokość regulacji	Zresetuj mikropokrętko (10) i ustaw ogranicznik głębokości (3)
Frezarka wydaje nietypowe dźwięki	Przeszkoda mechaniczna	Należy naprawić urządzenie w autoryzowanym centrum serwisowym CMT
	Zwarcie części twornika	Należy naprawić urządzenie w autoryzowanym centrum serwisowym CMT

Návod k obsluze

Úvod

Děkujeme, že jste si zakoupili tento výrobek CMT. Tento manuál obsahuje potřebné informace pro bezpečný a správný provoz tohoto výrobku. Tento výrobek má jedinečné funkce a, i když jste s podobnými výrobky obeznámeni, je nutné si tento návod pečlivě přečíst, abyste se ujistili, že jste plně porozuměli pokynům. Ujistěte se, že všichni uživatelé výrobku si přečteli a plně porozuměli tomuto návodu. Tento návod uchovávejte spolu s výrobkem pro budoucí nahlédnutí.

Popis symbolů

Na výrobním štítku vašeho nářadí mohou být uvedeny symboly. Ty představují důležité informace o výrobku, nebo pokyny k jeho použití.



Používejte ochranu sluchu.
Používejte ochranu očí.
Používejte ochranu dýchacích cest.
Naležte užívat kasku ochranného



Používejte ochranu hlavy.



VAROVÁNÍ: Pro snížení rizika poranění si uživatel musí přečíst návod k použití.



Upozornění



Varování: Ostré čepce nebo zuby!



NEPOUŽÍVEJTE v dešti nebo ve vlhkém prostředí!



Při seřizování, výměně příslušenství, čištění, provádění údržby a také v době, kdy se zařízení nepoužívá, vždy zařízení odpojte od zdroje napájení



Doporučujeme připojit k odsávání prachu.



Dvojitá izolace (dvojitá izolace pro dodatečnou ochranu).



Ochrana životního prostředí
Elektroodpad by neměl být likvidován spolu s domácím odpadem. Zvolte prosím vhodný způsob recyklace, který Vám poradí místně příslušný úřad nebo Váš prodejce.



Odpovídá příslušným právním předpisům a bezpečnostním normám.

Technické zkratky

V	Volt
~	Střídavý proud
A	Ampér
Hz	Hertz
W, kW	Wat, kilowat
min ⁻¹	Otáčky za minutu

Technické údaje

Model:	CM7E
Napětí:	220 - 240 V~ 50/60 Hz
Maximální vstupní proud:	9,1 A
Maximální výstupní výkon:	2400 W (sčítavota 3-1/4 KM)
Volnoběžné otáčky:	8000 - 21 000 min ⁻¹
Kleštiny:	81 12 mm
Maximální průměr frézy (Rychlé nastavení):	55 mm (2-3/16")
Maximální velikost kleštiny:	½" (RUS: 12,7 mm)
Nastavení hloubky frézování:	1) Rychlé nastavení 2) Nastavení hloubky na rukojeti 3) Mikro seřizovač (jemné nastavení)
Rozsah zanoření:	0-68 mm
Stupeň ochrany proti vodě:	IPX0
Třída ochrany:	□
Délka napájecího kabelu:	3 m
Rozměry (D x Š x V):	180 x 300 x 310 mm
Hmotnost:	6,5 kg
V rámci neustálého vývoje našich produktů se specifikace výrobků CMT mohou měnit bez předchozího upozornění.	
Informace o hluku a vibracích:	
Akustický tlak L_{pn}:	84,2 dB(A)
Akustický výkon L_{wa}:	95,2 dB(A)
Odchylka K:	3 dB(A)
Vibrace a_h:	5,4 m/s ²
Odchylka K:	1,5 m/s ²

Hladina intenzity hluku pro obsluhu může překročit 85 dB(A), opatření na ochranu proti hluku jsou nezbytná.

VAROVÁNÍ: Vždy používejte ochranu sluchu, pokud hladina intenzity hluku přesahuje 85 dB(A) omezte dobu používání, pokud je to nutné. Pokud je hladina zvuku nepřijemná i s ochranou sluchu, okamžitě přestaňte nářadí používat a zkontrolujte, zda je ochrana sluchu správně nasazena a zda poskytuje správnou úroveň útlumu hluku pro úroveň zvuku vydávaného nářadím.

VAROVÁNÍ: Vystavení uživatele vibracím nářadí může mít za následek ztrátu hmatu, necitlivost, brnění a sníženou schopnost úchopu. Dlouhodobé používání může vést k chronickému stavu. V případě potřeby omezte dobu vystavení vibracím a používejte antivibrační rukavice. Nepracujte s nářadím s rukama o teplotě nižší, než je normální příjemná teplota, protože vibrace budou mít větší účinek. Použijte údaje uvedené ve specifikaci týkající se vibrací pro výpočet doby trvání a frekvence práce s nářadím.

VAROVÁNÍ: Emise vibrací při skutečném používání elektrického nářadí se mohou lišit od deklarované celkové hodnoty v závislosti na způsobech používání nářadí. Je třeba určit bezpečnostní opatření na ochranu obsluhy, která jsou založena na odhadu používání ve skutečných podmínkách (s přihlédnutím ke všem částem pracovního cyklu, jako jsou doby kdy je nářadí vypnuto a kdy běží naprázdno, kromě doby spuštění).

Deklarovaná celková hodnota vibrací byla změřena v souladu se standardní zkouškou a může být použita pro porovnání jednoho nářadí s jiným. Deklarovaná hodnota vibrací lze také použít při předběžném posouzení doby používání.

Hladiny hluku ve specifikaci jsou stanoveny podle mezinárodních norem, představují normální použití nářadí za běžných pracovních podmínek. Špatně udržované, nesprávně sestavené nebo nesprávně používané nářadí může způsobovat zvýšené hladiny hluku a vibrací. Na stránkách www.osha.europa.eu jsou uvedeny informace o hladinách hluku a vibrací na pracovišti, které mohou být užitečné pro domácí uživatele, kteří používají nářadí po dlouhou dobu.

Obecná bezpečnostní upozornění pro elektrické nářadí

OUPOZORNĚNÍ: Přečtete si všechna bezpečnostní upozornění, pokyny, ilustrace a pokyny k použití dodané s tímto elektrickým nářadím. Nedodržení všech níže uvedených pokynů může mít za následek úraz elektrickým proudem, požár a/nebo vážné zranění.

Všechna elektrická nářadí a pokyny si uschovejte pro budoucí nahlédnutí.

Výraz „elektrické nářadí“ v těchto varováních se vztahuje na vaše elektrické nářadí napájené ze sítě (se šňůrou), popř. akumulátorové (akumulátorové) elektrické nářadí.

1) Bezpečnost v pracovním prostoru

- Pracovní prostor udržujte čistý a dobře osvětlený.** V neuklizených nebo tmavých prostorech jsou častěji nehody.
- Nepoužívejte elektrické nářadí ve výbušném prostředí, např. v přítomnosti hořlavých kapalin, plynů nebo prachu.** Elektrické nářadí vytváří jiskry, které mohou zapálit prach nebo výparu.
- Při práci s elektrickým nářadím udržujte děti a okolo stojící osoby v bezpečné vzdálenosti.** Rozptýlení může způsobit ztrátu kontroly.

2) Elektrická bezpečnost

- Zástrčky elektrického nářadí musí odpovídat zásuvce. Zástrčku nikdy nikak neupravujte. Nepoužívejte žádné adaptérové zástrčky s uzemněným elektrickým nářadím.** Neupravené zástrčky a odpovídající zásuvky snižují riziko úrazu elektrickým proudem.
- Vyvarujte se kontaktu těla s uzemněnými povrchy,** jako jsou potrubí, radiátory, sporáky a chladničky. Existuje zvýšené riziko úrazu elektrickým proudem, pokud je vaše tělo uzemněno.
- Nevystavujte elektrické nářadí dešti nebo vlhku.** Voda, která se dostane do elektrického nářadí, zvyšuje riziko úrazu elektrickým proudem.
- Nepřetěžujte kabel. Nikdy nepoužívejte kabel k přenášení, tahání nebo odpojování elektrického nářadí.** Kabel uchovávejte mimo dosah tepla, oleje, ostrých hran nebo pohyblivých částí. Poškozený nebo zamotaný kabel zvyšuje riziko úrazu elektrickým proudem.
- Při práci s elektrickým nářadím venku používejte prodlužovací kabel vhodný pro venkovní použití.** Použití kabelu vhodného pro venkovní použití snižuje riziko úrazu elektrickým proudem.
- Pokud je práce s elektrickým nářadím na vlhkém místě nevyhnutelná, použijte proudový chránič (RCD).** Použití proudového chránič RCD snižuje riziko úrazu elektrickým proudem.
- Při použití v Austrálii nebo na Novém Zélandu se doporučuje, aby toto nářadí bylo VZDY napájeno prostřednictvím proudového chránič (RCD) se jmenovitým reziduálním proudem 30 mA nebo menším.**
- Používejte vhodný prodlužovací kabel. Ujistěte se, že je prodlužovací kabel v dobrém stavu. Když používáte prodlužovací kabel, ujistěte se, že používáte dostatečně silný kabel, aby přenesl proud, který vám bude výrobek odebírat.** Nedostatečně dimenzovaný kabel způsobí pokles napětí, což má za následek přehřátí.

3) Osobní bezpečnost

- Buďte ve střehu, sledujte, co děláte, a používejte zdravý rozum, když obsluhujete elektrické nářadí.** Nepoužívejte elektrické nářadí, pokud jste unaveni nebo pod vlivem drog, alkoholu nebo léků. Chvilka nepozornosti při práci s elektrickým nářadím může mít za následek vážné zranění osob.

- Používejte osobní ochranné pomůcky.** Vždy používejte ochranné brýle. Ochranné pomůcky jako je maska proti prachu, nekouřavá bezpečnostní obuv, helma nebo ochrana sluchu používaná ve vhodných podmínkách, snižuje počet osobních zranění.
- Zabraňte neúmyslnému spuštění.** Před připojením ke zdroji napájení se ujistěte, že je spínač ve vypnuté poloze. Přenášením elektrického nářadí s prstem na spínači, nebo s vypínačem v poloze zapnuto, se vystavujete nebezpečí úraza.
- Před zapnutím elektrického nářadí vyjměte seřizovací klíč.** Klíč ponechaný na rotující části elektrického nářadí může způsobit zranění osob.
- Neenaklánějte se s nářadím.** Za všech okolností udržujte správnou polohu a rovnováhu. Je spinače lepší ovládnout elektrického nářadí v neočekávaných situacích.
- Správně se oblékejte. Nenoste volné oblečení ani šperky.** Udržujte si vlasy a oděv mimo dosah pohyblivých částí. Volné oblečení, šperky nebo dlouhé vlasy mohou být zachyceny v pohyblivých se částech.
- Pokud jsou k dispozici zařízení pro připojení nářadí pro odsávání a sběr prachu, zajistěte, aby byla připojena a správně používána.** Používání zařízení na zachytávání prachu může snížit množství prachu a snižuje riziko nebezpečí.
- Nedopusťte, aby vám znalost získaná častým používáním nářadí dovolila, abyste se stali neobezřetným a ignorovali zásady bezpečnosti s elektronářadím.** Neopatrný zásah může způsobit vážné zranění během zlomku sekundy.
- Používání elektrického nářadí a péče o něj**
- Netačte silou na elektrické nářadí.** Používejte správné elektrické nářadí pro dané operace. Správné elektrické nářadí provede práci lépe a bezpečněji při rychlosti, pro kterou bylo navrženo.
- Nepoužívejte elektrické nářadí, pokud jeho vypínač nezapíná a nevypíná.** Jakékoli elektrické nářadí, které nelze ovládat spínačem, je nebezpečné a musí být opraveno.
- Odpojte zástrčku od zdroje napájení a/nebo vyjměte akumulátor,** pokud je odnímatelný, z elektrického nářadí před jakýmkoli seřizováním, výměnou akumulátoru, příslušenství nebo ukládání elektrického nářadí. Tato preventivní bezpečnostní opatření snižují riziko náhodného spuštění elektrického nářadí.
- Nečinné elektrické nářadí ukládejte mimo dosah dětí a nedovoľte, aby osoby, které nejsou obezřetné s jeho používáním, mohly s elektrickým nářadím manipulovat.** Elektrické nářadí je v rukou nepoučených uživatelů nebezpečné.
- Elektrické nářadí a příslušenství udržujte v čistotě.** Zkontrolujte, zda pohyblivé nástroje nejsou špatně seřizené nebo ztuhlé. Zlomené a poškozené díly, který by mohli ovlivnit činnost elektrického nářadí. V případě poškození nechte elektrické nářadí před použitím opravit. Mnoho nehod je způsobeno špatně udržovaným elektrickým nářadím.
- Řezné nástroje udržujte ostré a čisté.** Správně udržované řezné nástroje s ostrými řeznými bity se méně často zasekávají a snadněji se ovládají.
- Používejte elektrické nářadí, příslušenství atd. v souladu s těmito pokyny v návodu,** s ohledem na pracovní podmínky a prováděnou práci. Použití elektrického nářadí pro jiné operace, než pro které je určeno, by mohlo mít za následek nebezpečnou situaci.
- Udržujte rukovětí a úchopové plochy suché, čisté a zbavené oleje a mastnoty.** Kluzké rukovětí a úchopové plochy neumožňují bezpečnou manipulaci s nářadím a jeho ovládání při práci v neočekávaných situacích.
- Servis**
- Servis elektrického nářadí světe kvalifikovanému servisnímu pracovníkovi, který používá pouze identické náhradní díly.** Tím bude zajištěna bezpečnost elektrického nářadí.

Další zabezpečení směrovačů

VAROVÁNÍ!

- Elektrické nářadí držte pouze za izolované úchopové plochy, protože fréza se může dotknout vlastního kabelu. Při řezání „živého“ kabelu může dojít k poškození obnažených kovových částí napájecího kabelu, nástroje „pod napětím“ mohou obsluhu zasáhnout elektrickým proudem.
- Používejte svíčku nebo jiný praktický způsob upevnění a podepření obrobku ke stabilní ploše. Držení obrobku v ruce nebo opření o tělo její činní nestabilitám a může vést ke ztrátě kontroly.
- Pokud je nutná výměna přírodního kabelu, musí být provedena pomocí výrobce nebo příslušného servisního zařízení, aby nedošlo k ohrožení bezpečnosti.
- Důrazně se doporučuje, aby nářadí bylo vždy napájeno přes proudový chránič se jmenovitým reziduálním proudem 30 mA nebo menším.
- a) Používejte bezpečnostní vybavení včetně ochranných brýlí nebo štítu, ochrany sluchu, protiprachové masky a ochranný oděv včetně ochranných rukavic.
- b) V okolí pracovního prostoru by nikdy neměly být ponechány látky, šňůry, provázky atd.
- c) Ujistěte se, že napětí v elektrické síti je stejné jako napětí na typovém štítku nářadí.
- d) Ujistěte se, že všechny prodlužovací kabely používané s tímto nářadím jsou nepoškozené a odpovídají jmenovité hodnotě v ampérech pro toto nářadí.
- e) Úplně odvíte bubnový prodlužovací kabel, abyste zabránili možnému přehřátí.
- f) Použijte vhodné detektory, abyste zjistili, zda se v pracovní oblasti pod povrchem nacházejí kabely nebo potrubí inženýrských sítí. V případě potřeby se obraťte o pomoc na společnosti zajišťující inženýrské sítě. Kontakt s elektrickými kabely může vést k úrazu elektrickým proudem a požáru. Poškození plynového potrubí může vést k výbuchu. Kontakt s vodovodním potrubím může vést k velkým škodám na majetku.
- g) Ujistěte se, že byly před zahájením práce z obrobku odstraněny zapuštěné předměty, jako jsou hřebíky a šrouby.
- h) S frézami zacházejte opatrně, protože mohou být velmi ostré.
- i) Před použitím pečlivě zkontrolujte, zda fréza nevykazuje známky poškození nebo prasklin. Poškozené nebo prasklé frézy okamžitě vyměňte.
- j) Dbejte na to, aby frézy byly ostré a správně udržované. Tupé břity mohou vést k nekontrolovatelným situacím, včetně zasekávání, zvýšeného zahřívání a možného zranění.
- k) **VŽDY používejte obě rukojeti**, před zahájením práce pevně držte frézku.
- l) Udržujte rukojeti a úchopové plochy suché, čisté a zbavené oleje a mastnoty, aby bylo zajištěno, že nástroj při používání držíte bezpečně.
- m) Před použitím nástroje k provedení řezu její zapněte a nechte chvíli běžet. Vibrace by mohly signalizovat nesprávné nainstalovanou frézku.
- n) Všimněte si směru otáčení frézy a směru posuvu.
- o) Udržte ruce v dostatečné vzdálenosti od frézovacího prostoru a frézy. Druhou rukou uchopte přídatnou rukojeť nebo izolovanou uchopovací plochu.
- p) **NIKDY nespouštějte frézku, pokud se fréza dotýká obrobku.**
- q) Při používání frézy se vždy ujistěte, že je nasazena poměrná pružina.
- r) Před ponořením do polohy pro zajištění kleštiny se ujistěte, že se fréza zcela zastavila.
- s) Maximální otáčky frézy musí být alespoň tak vysoké, jako jsou maximální otáčky frézy (elektrického nářadí).
- t) Části frézy/frézy se mohou během provozu zahřívát. Nemanipulujte s nimi bezprostředně po použití, abyste předešli riziku popálení.
- u) **Nedovolte, aby se díly dostaly do kontaktu s hořlavými materiály.**
- v) Velikost stopky frézy musí odpovídat velikosti upínací kleštiny namontované na frézce. Nesprávně nasazené frézy se budou nepravděelně otáčet a budou mít zvýšené vibrace, které by mohly vést ke ztrátě kontroly nad strojem.
- w) **NEMÁČKEJTE tlačítko aretace větve ani se nepokoušejte vyměnit nástroj a kleštinu během provozu frézy.**
- x) Při frézování obrobku udržujte konstantní tlak a umožněte frézce udržovat rychlost řezu. **NESMÍTE** na nástroj působit silou a přetěžovat motor.
- y) Dbejte na to, aby jmenovité štítky a bezpečnostní upozornění na nástroji zůstaly čitelné a byly vyměněny, pokud jsou nečitelné nebo poškozené
- z) Při práci s frézou buďte připraveni na to, že se fréza zasekne v obrobku a způsobí ztrátu kontroly. Vždy se ujistěte, že je fréza pevně držena a vypínač byl v takovém případě okamžitě uvolněn.
- Po zapnutí frézy zkontrolujte, zda se fréza otáčí rovnoměrně (zda se „nekýve“) a zda nedochází k dalším vibracím v důsledku nesprávně nasazeného frézy. Práce s frézou s nesprávně nasazeným frézou může vést ke ztrátě kontroly a k vážnému zranění
- Při používání fréz s průměrem větším než 50 mm (2") je třeba dbát mimořádné opatrnosti. Používejte velmi pomalé posuvy a/nebo více mělkých řezů, aby nedošlo k přetížení motoru.
- **VŽDY nářadí nejprve vypněte a počkejte, dokud se fréza úplně nezastaví, a teprve poté zvedněte nářadí od obrobku.**
- Před jakýmkoli seřizováním, údržbou odpojte stroj od napájení.
- I když je tento nástroj používán předepsaným způsobem, není možné eliminovat všechny zbytkové rizikové faktory. Pokud máte jakékoli pochybnosti o bezpečném používání tohoto nástroje, nepoužívejte jej.

VAROVÁNÍ: Prach vznikající při používání elektrického nářadí může být toxický.

Některé materiály mohou být chemicky ošetřeny nebo natřeny a představovat toxické nebezpečí. Některé přírodní a kompozitní materiály mohou obsahovat toxické chemické látky. Některé starší barvy mohou obsahovat olovo a další chemické látky. Vyhněte se dlouhodobému vystavení prachu vznikajícímu při práci s frézou. **NEDOVOLTE**, aby se prach dostal na kůži nebo do očí a nedovolte, aby se prach dostal do úst, aby nedošlo k absorpci škodlivých látek a chemických látek. Pokud je to možné, pracujte v dobře větraném prostoru. Používejte vhodnou protiprachovou masku a odsávání prachu, pokud je to možné. Tam, kde dochází k častějšímu používání, je vhodné, aby byla dodržována všechna bezpečnostní opatření a aby byla zajištěna vyšší úroveň osobní ochrany při práci.

Seznámení s produktem

1. Revolverový doraz
 2. Sklíčidlo
 3. Hlubokový doraz
 4. Boční větrací otvory
 5. Aretace hloubkového dorazu
 6. Motor
 7. Kryt vypínače
 8. Hlavní vypínač
 9. Přístupové kryty k uhlíklům
 10. Regulator otáček
 11. Aretace ponoru
 12. Ochranné kryty
 13. Matice pro upevnění základní desky
 14. Oko pro připevnění kliky pro ovládání z vrchu stolu
 15. Hrdlo pro odsávání prachu
 16. Automatická aretace větve
 17. Pojistný kroužek rukojeti pro snížení zdvihů
 18. Tlačítko pro volné zanoření
 19. Otočná rukojeť pro hloubku zanoření
 20. Mikro nastavení hloubky zanoření
 21. Krytka zanořovací pružiny
 22. Připojení obchvatového klíče NVR
 23. Doraz
 24. Klešтина s převlečnou maticí (x 2)
 25. Kliky pro horní nastavení výšky nad stolem
 26. Klíč
 27. Držák otočného klíče pro frézování kruhů
 28. Rozšířená vodící deska
 29. Přemosťovací klíč
 30. Šrouby (1/4 UNC x 4) pro upevnění na stůl CMT (náhradní díl 990.467.00)
- Ob**
- A. ¼ x 4
 - B. M6 x 3
 - C. Odsazení pro kliku na ovládání z horní strany stolu

Použití

Horní fréзка se používá k frézování profilů a listů, drážek, hran a podlouhlých otvorů v masivu a velkoplošných materiálech. Používá se také s vodícími pouzdry a šablonami pro frézání tvarů, podle šablon, jakož i pro stacionární instalaci v kompatibilních systémech frézovacích stolů.

Nástroj se smí používat POUZE k určenému účelu. Jakékoli jiné použití než to, které uvedené v této příručce, bude považováno za nesprávné použití. V případě nesprávného použití, nese obsluha, nikoli výrobce veškerou odpovědnost za jakékoli škody nebo zranění. Výrobce nenese odpovědnost za jakékoli úpravy provedené na nářadí, ani za škody vzniklé v důsledku takových úprav.

Vybavení nástroje

- Pečlivě vybalte a zkontrolujte svou fréčku. Seznamte se se všemi funkcemi a vlastnostmi.
- Ujistěte se, že jsou všechny součásti nářadí dodány a v dobrém stavu. Pokud některé díly chybí, nebo jsou poškozené, nechte je vyměnit dílce, než se pokusíte nářadí používat.

Před použitím

VAROVÁNÍ: Před použitím nářadí, montáž, nebo výměnu jakéhokoli příslušenství, nebo provádění jakýchkoli nastavení, se ujistěte, že je odpojeno od napájení.

VAROVÁNÍ: Pravidelně, při delším používání, nebo když byla fréčka při přepravě nebo došlo k pádu, zkontrolujte, zda je přístupová krytka ponorné pružiny (21) správně umístěna a zajištěna na správném místě. Měla by sedět rovnoměrně s tělem nástroje bez viditelné mezery a měl by být správně umístěn i zajišťovací šroub, aby se zabránilo zanoření pružiny a náhodnému vysřoubování, viz obrázek O. Pružina je napnutá dostatečnou silou, aby při nekontrolovaném uvolnění nepůsobila vážné zranění. Vždy při demontáži a výměně ponorné pružiny pečlivě dodržujte pokyny.

Instalace převlečné matice a kleštiny

Poznámka: Při vkládání a vyjímání frézy používejte ochranné rukavice kvůli ostrým hranám frézy.

1. Umístěte fréčku základovou deskou vzhůru na bezpečný rovný povrch s vypnutým motorem a napájecím kabelem odpojeným od elektrické sítě.
2. Ponořte fréčku do maximální hloubky stisknutím ovládací rukojeti. (17) (Obrázek B) dovnitř a otočte rukojetí (19) ve směru hodinových ručiček, dokud kleština (24) nevyčnívá ze základny.

Poznámka: Ujistěte se, že je hloubkový doraz (3) zcela zasunut (viz „Hloubkový doraz a revolver“) kleština by měla vyčnívat ze základny, což umožní snadný přístup pro klíč.

3. Pomocí dodaného klíče (26) uvolněte kleštinu otočením proti směru hodinových ručiček až do vyjmutí matice s kleštinou.
4. Zvolte požadovanou kleštinu a nainstalujte ji do skličidla (2) zašroubováním ve směru hodinových ručiček.
5. Vložte fréčku do kleštiny a dbejte na to, aby v něm zůstalo alespoň 20 mm nebo 3/4 délky stopky frézy (podle toho, která hodnota je větší), pak použijte upínací skličidlo. Klíčem mírně otočte kleštinou, aby se pojistka kleštiny zaaretovala (obrázek 1).
- C). Jakmile je zajištěna, otočte ji klíčem ve směru hodinových ručiček, abyste frézu utáhli.
6. Vraťte fréčku do normální pracovní hloubky. Tím se uvolní zámk. upínací kleština a uvolní se zasouvací závěrka spínače, čímž se umožní přístup k vypínači (8).

Odsávací hubice

Poznámka: Fréčka CMT7E je vybavena otvorem pro odsávání prachu (15) pro odsávání třísek z výše uvedených zařízení nad frézováním. Do odsávací hubice pro odsávání prachu lze připojit hadice o průměru 38 mm (1½") s levým závitem (proti směru hodinových ručiček) (obrázek D).

Montáž rozšířené základny desky s dorazem

1. Povolte dvě matice pro upevnění základní desky (13) a zcela je uvolněte. To umožní, aby montážní čepy zapadly do upevňovacích otvorů fréčky na rozšířené základní desce (28).
2. Otočte ponornou frézu i rozšířenou základní desku vzhůru.
3. Stiskněte montážní matice základní desky na ponorné fréze směrem dovnitř, aby se odkryly montážní čepy.
4. Zarovnejte montážní čepy s upevňovacími otvory frézy na rozšířené základní desce a zasuňte do otvorů pro klíče (Obrázek K).

Poznámka: Orientace rozšířené základní desky závisí na tom, kde je požadována podpora. Pro práci na hranách umístěte vypínač (8) na krátkou stranu základny s přesahem.

5. Pevně utáhněte matice pro upevnění základní desky na ponorné fréze, abyste zajistili ponornou desku frézy k prodloužené základní desce.
6. Pro montáž dorazu (23) uvolněte matice dorazu a posuňte doraz po kolejnicích na základové desce (obrázek L). Zjistěte požadované nastavení utažením obou matice.

Poznámka: Při frézování drážek ve vzdálenosti od okraje nastavte doraz na delší konec základové desky.

Poznámka: Při provádění prací na hranách s frézu vedenou bez ložiska nasadte doraz na krátkou základovou desku (obrázek J).

Poznámka: Při použití frézy s velmi velkým průměrem může být nutné připravit k dorazu dřevěné špalíky přes otvory pro šrouby, aby se fréza nedotýkala dorazu.

Provoz

VAROVÁNÍ: VŽDY používejte ochranu očí, dýchacích cest a sluchu a vhodné rukavice při práci s tímto nářadím.

Poznámka: Když je fréčka připojena ke zdroji napájení, a je vypínač v poloze zapnuto/vypnuto – vypne se. (8) podsvícení svítí v poloze „Zapnuto“ i „Vypnuto“.

Poznámka: Zatahovací kryt spínače napájení (7) zabráňuje náhodnému spuštění fréčky. Před zapnutím fréčky musí být zasunuta do zásuvky. Zatahovací kryt zůstane otevřený, dokud nebude fréčka vypnuta.

1. Ujistěte se, že je horní fréčka v maximálním vysunutí svého pohybu a že fréza při zapnutí nebude kolidovala s žádnými cizími předměty.
2. Připojte napájecí kabel k elektrické síti a zasuňte vysouvací kryt vypínače dozadu, abyste odhalili vypínač napájení.
3. Stisknutím vypínače napájení do polohy „I“ zapnete horní fréčku, dokud je vypínač v této poloze, zasouvací vypínač napájení bude bránit opětovnému zakrytí vypínače zapnutí/vypnutí.
4. Pro vypnutí stiskněte spínač zapnutí/vypnutí napájení do polohy „0“. Kryt zasouvácho vypínače se posune zpět do původní polohy.

Variabilní regulace otáček

Poznámka: Obecně by se měla používat nejvyšší rychlost, která nezpůsobuje stopy po spálení na obrobku. Tam, kde je to uvedeno, vždy dodržujte omezení maximální rychlosti výrobce frézy.

- Práce při snížených otáčkách zvyšuje riziko poškození frézy jako v důsledku přetížení. Používejte velmi pomalé posuvy a/nebo více mělkých průchoďů.
- Regulator otáček (10) je označen číslicemi 1 až 5, což přibližně odpovídá rychlostem a průměrem fréz níže. Otáčecím ovladačem zvolte požadovanou rychlost.

Nastavení	Otáčky	Průměr frézy
5	21.000	Do 25 mm (1")
4	18.000	25 – 50 mm (2" – 2")
3	14.500	50 – 65 mm (2" – 2 1/2")
2	11.000	Nad 65 mm (2 1/2")
1	8.000	Použijte pouze v případě, že dochází k pálení materiálu

Nastavení hloubky frézování

DŮLEŽITÉ:

POKUD NEBUDETE POSTUPOVAT PODLE TĚCHTO POKYNŮ, POŠKODÍTE ZANOŘOVACÍ MECHANISMUS FRÉZY.

VŽDY se ujistěte, že je páčka pojistky ponoru (11) odblokována nastavením do nejvyšší polohy před nastavením hloubky frézování pomocí „volného ponoru“ nebo „klikou nastavení hloubky“, níže uvedených metod.



Poznámka: Chcete-li frézku zablokovat na určité hloubce frézování, ponořte frézu dolů a otočte páku aretace ponoreni (11) do spodní polohy. Tím se frézka v této poloze zastaví.

- Existují tři způsoby nastavení hloubky frézování v závislosti na požadované přesnosti:

Rychlé nastavení

1. Rychlé nastavení hloubky lze učinit pomocí tlačítka pro volné zanoření (18) zapnuté. Stisknete tlačítko hluboko uvnitř rukojeti, dokud nezapadne dovnitř (Obrázek A)
2. Uvolněte páku aretace zanoření (11) a tlačte tělo frézky, dokud nedosáhnete požadované hloubky zanoření. Znovu zajistěte páku volného ponoru.

Nastavení hloubky na rukojeti

1. Nastavení hloubky zanoření lze provést otáčením rukojeti (19).
2. Odjistěte tlačítko pro volné zanoření (18) a ujistěte se, že je tlačítko v jedné rovině s polohou rukojeti (obrázek K).
3. Chcete-li uvolnit rukojeť pro nastavení hloubky, zatáhnete za spojovací kroužek rukojeti (17) směrem dovnitř (Obrázek B).
4. Uvolněte páčku aretace ponoru (11) a otáčejte rukojetí, dokud nedosáhnete požadované hloubky frézování.
5. Uvolněte pojistný kroužek na rukojeti a zajistěte páku blokování ponoru.

Mikro nastavení hloubky frézování

Poznámka: Použít pouze v režimu zanoření rukojeti (19).

1. Vypněte tlačítko pro volné zanoření (18) a ujistěte se, že je páčka zámku ponoru (11) v poloze odemknuta.

Poznámka: Pokud se ovladač mikronastavení hloubky (20) otáčí se zataženou páčkou pojistky spuštění, mikronastavení hloubky začne cvakat a hloubka frézování zůstane nezměněna.

2. Otáčením mikronastavení hloubky ve směru hodinových ručiček hloubku frézování zvětšíte a proti směru hodinových ručiček hloubku frézování zmenšíte. Nastavujte hloubku frézování, dokud nedosáhnete požadované výšky.

Poznámka: Po dosažení konce rozsahu nastavení hloubky frézování nabídne mikronastavení hloubky větší odpor a začne „cvakat“.

3. Zajistěte páku aretace ponoru, zejména u těžkých frézování.

Hloubkový revolverový doraz

1. Hloubkový doraz (3) a revolverový doraz (1) slouží k přesnému přednastavení až tří různých hloubek frézování.
2. Povolte aretační matici hloubkového dorazu (5) a zcela zasuněte hloubkový doraz, poté jej znovu utáhněte. (Obrázek F)
3. Nastavte sloupky revolveru na požadované hloubky ponoru pomocí stupnice na stacionárním revolveru. (Obrázek G).

Poznámka: Chcete-li vyměnit sloupky revolverové hlavičky, otočte celou sestavu revolverové hlavičky tak, aby byla v souladu s hloubkovým dorazem.

4. S požadovanou frézou nainstalovanou v kleštinovém pouzdře (24) nastavte hloubku ponoru, dokud se špička frézy nedotýká obrobku
5. Otáčejte revolverovou hlavičku, dokud se pevný sloupek revolverové hlavičky nesrovná se zarážkou hloubky. Uvolněte doraz, a nechte jej pružit na sloupku, poté znovu utáhněte aretační páku hloubkového dorazu. Zanoření je nyní nastavena nulová hloubka
6. Otáčejte zarážkami revolveru, dokud nebude sloupek revolveru s požadovanou hloubkou ponoru zarovnan s hloubkovým dorazem

Provedení frézování

Poznámka: NIKDY nepracujte s horní frézou z volné ruky bez nějakého vodítka. Vodítkem může být pomocí frézy s ložiskovým vedením, dodaných vodítek nebo rovné hrany (obrázek I).

1. VŽDY držte frézku oběma rukama za dodané rukojeti. Ujistěte se, zda se obrobek nepohybuje. Všude, kde je to možné, použijte svěrky.
2. Nechte motor dosáhnout plných pracovních otáček.
3. Spusťte frézu do obrobku, přičemž frézou pohybujte pomalu a udržujte ji v pohybu, základnu držte rovně u obrobku.
4. V případě frézování hran by mělo být frézování obrobku na levé straně vzhledem k frézovací desce (obr. I). Udržujte konstantní tlak a nechte frézu pracovat rovnoměrně procházejte materiálem. Uvědomte si, že rádiusy a jiné odchylky zpomalují rychlost postupu

Poznámka: Abyste se vyhnuli „vibracím frézy“, směřujte frézování proti směru hodinových ručiček pro vnější obrábění a ve směru hodinových ručiček pro vnitřní obrábění ve směru hodinových ručiček.

Poznámka: Příliš rychlý pohyb frézy může mít za následek nekvalitní povrchovou úpravu a přetížení motoru. Příliš pomalý pohyb frézy může vést k přehřátí obrobku.

Poznámka: Normální provoz frézy spočívá v ponoření hlavy po zapnutí frézy.

Poznámka: Frézku neprovazujte obráceně, pokud není bezpečně namontována v dobře chráněné frézce. (např. značky CMT).

Provádění frézování na více průchoďů

1. Věžové dorazy (1) umožňují dosáhnout maximální hloubky frézování v operátorem stanoveném čase počtu kroků. Každý krok revolveru lze předem nastavit nastavením kolečka na sloupku revolveru.
2. Otočte zarážkami revolverové hlavičky tak, aby se zarážka hloubky (3) dotýkala nejvyššího přednastaveného kroku revolverové hlavičky, když je fréza zanořena. Nyní lze provést první frézovací průchod.
3. Pokračujte v provádění průchoďů, otáčejte zarážkami revolverové hlavy a nastavujte hloubku sloupku revolverové hlavy až do dosažení plné hloubky frézování.

Frézování kruhu

1. Namontujte na frézku prodlouženou základnu (28) bez pravítka (23).
 2. Sejměte z rozšířené základny (27) otočný držák pro kruhové frézování a připevněte jej k fréze uprostřed obrobku pomocí malého hřebíku nebo šroubu přes jeden z otvorů v otočném čepu (Obrázek M). Šroub otočného držáku ponechte na místě
 3. Spusťte frézu a základnu přes otočný držák a znovu nasadte podložku a křídlovou matici (Obrázek N).
 4. Při vypnutém napájení otáčejte frézou po zamýšlené dráze a zkontrolujte kružnici, a proveďte případné úpravy
 5. Vyřizněte kruh v několika průchodech a snižte hloubku frézování přibližně o 2 mm (3/32") (Obrázek N). Nepokoušejte se frézovat hluboko na jeden průchod.
- Průchoď řez: Pokud frézujete skrz materiál, připevněte k němu obětí desku pod obrobek.

Provoz ve stolku

Poznámka: Montáž a provoz této frézy na frézovacím stole by měly být prováděny v souladu s literaturou dodanou s frézovacím stolem.

Poznámka: Ačkoliv byl tento výrobek navržen pro efektivní a pohodlný provoz na většině frézovacích stůlů, je zvláště vhodný pro použití s frézovacími stoly CMT.

Poznámka: Nastavení frézy je velmi snadné pomocí jedinečných funkcí popsanych dříve v příručce. Viz „Instalace kleštin a fréz“ a „Nastavení hloubky frézování“.

DŮLEŽITÉ: Před montáží této frézy do frézovacího stolu MUSÍ být odstraněna ponorná pružina:

1. Nastavte frézu na horní hranici jejího rozsahu ponoru a zapněte páku aretace ponoru (11).
2. Povolte malý šroub vedle přístupové krytky ponorné pružiny (21) o několik otáček (obrázek O).
3. Dlaní tlačte na kryt přístupové pružiny pro ponor směrem dolů a druhou rukou pevně uchopte přístupovou uzávěr zanořovací pružiny, abyste zabránili zanoření pružiny po uvolnění nevystřelila nahoru. Při udržování tlaku směrem dolů a pevném sevření otočte přístupovou krytku ponorné pružiny proti směru hodinových ručiček, abyste ji vyjmuli (obrázek P).

UPOZORNĚNÍ: Zanořovací pružina je napnutá velkou silou, aby umožnila plynulé zanoření. Přístupová krytka ponorné pružiny a ponorná pružina rychle vystřelí nahoru, jakmile je vyšroubována. Dávejte pozor, abyste neuvolnili zanořovací pružinu nekontrolovaně, což by mohlo způsobit zranění osob.

4. Po uvolnění pomalu nechte přístupovou krytku ponorné pružiny zvednout nahoru (obrázek Q).
5. Vyjměte pružinu a uložte ji na bezpečné místo
6. Nasadte zpět přístupovou krytku zanořovací pružiny a znovu utáhněte šroub.

UPOZORNĚNÍ: Při opětovném nasazování ponorné pružiny pečlivě zkontrolujte, zda se ponorná pružina nachází na místě. Měla by sedět rovnoběžně s tělem bez viditelné mezery a zajišťovací šroub by měl být správně umístěn aby nedošlo k náhodnému vyšroubování krytky pro přístup k ponorné pružině.

POZNÁMKA: Před použitím frézy z volné ruky nezapomeňte znovu nasadit ponornou pružinu.

DŮLEŽITÉ: Před montáží frézy pod frézovací stůl se ujistěte, že je hloubkový doraz.

- (5) uvolnění a páčka aretace zanoření (11) je v odjistěné poloze.
- Vysoký navigací stolu (25) zapadne do připojovacího bodu výškového navigáče stolu (14). pro rychlé a snadné nastavení výšky nad stolem, když je fréza namontována na stole.

Instalace klíče pro provoz ve frézovacím stolku:

Fréza CMT7E je vybavena funkcí pro provoz ve frézovacích stolcích (NVR - No Voltage Release), která zabraňuje automatickému vypnutí po přerušení napájení. Chcete-li nástroj vypnout, je třeba vrátit vypínač zpět před opětovným zapnutím do polohy OFF. Při použití s frézovacími stoly CMT nebo stoly jiné značky, které mají vlastní ochranu NVR, například elektrické bezpečnostní zařízení (999.100.11), lze tuto funkci obejít vložením klíče NVR Bypass Key (29). Tím umožníte zapnutí/vypnutí nástroje ovládat spínačem ON/OFF na frézovacím stolku.

1. Našroubujte klíč NVR Bypass Key do přípojky NVR Bypass Key (22) a jemně rukou utáhněte (obrázek T)
2. Připevněte držák ke spodní straně frézovacího stolu (obrázek U).
3. Zapněte frézu a pomocí vypínače na frézovacím stolku ovládejte frézu.

UPOZORNĚNÍ: Klíč pro obcházení NVR používejte POUZE tehdy, když je fréza připojena ke zdroji napájení, který je sám chráněn systémem ochrany proti uvolnění napětí, jako je např. systém elektrické bezpečnosti (999.100.11). VŽDY se ujistěte, že je držák připojen ke stolu směřovače, abyste předešli vyjmutí frézy ze stolu bez vyjmutí klíče.

Důležité

1. Chcete-li namontovat CMT frézu na stoly CMT, stoly jiné značky nebo stůl vlastní výroby, odstraňte 4 šrouby černé základní desky uvedené na obrázku S a sejměte ji.
2. K dispozici jsou 2 sady závitů šroubů, jak je znázorněno na obr. II.
 - A: Jsou zde 4 závitů šroubů UNC (sloužící k zajištění základní desky), které jsou také vhodné pro montáž stolu CMT
 - B: sada 3 x závit M6
3. K instalaci směřovače na stoly CMT použijte 4 šrouby, které jsou součástí dodávky (30).

Poznámka: Závitů M6 nejsou u dřívějších verzí frézy CMT7E (2022) k dispozici.

Příslušenství

Široký sortiment vhodného příslušenství a náhradních dílů pro tento nástroj je k dispozici u společnosti CMT, prodejce CMT, jako např:

- Velký výběr stopkových fréz.
- Frézovací desky (obrázek H) pro kopírovací kroužky
- Vodicí pouzdra
- Upinací kleštiny
- Uhlíkové kartáče

Údržba

UPOZORNĚNÍ: Před jakoukoli kontrolou VŽDY odpojte přístroj od napájení, údržbu nebo nebo čišťení.

Obecná kontrola

- Pravidelně kontrolujte, zda jsou všechny upevňovací šrouby pevně utaženy.
- Před každým použitím zkontrolujte přívodní kabel nářadí, zda není poškozený nebo oopotřebovaný. Opravy by měly provádět autorizované servisní středisko CMT. Tato rada platí také pro prodlužovací kabely šňůry používané s tímto nářadím

Čištění

VAROVÁNÍ: VŽDY používejte ochranné pomůcky včetně ochrany očí a rukavic, když čišťení tohoto nářadí.

- Nářadí udržujte stále čisté. Nečistoty a prach způsobují rychlé opotřebení vnitřních částí a zkrátí životnost zařízení.
- Tělo stroje čistěte měkkým kartáčem nebo suchým hadříkem.
- K čištění plastových částí nikdy nepoužívejte žíravé prostředky. Pokud suché čištění nestačí, použijte jemný vlhký čisticí prostředek na vlhkém hadříku
- S nástrojem nesmí nikdy přijít do styku voda
- Před použitím nářadí se ujistěte, že je důkladně suché
- Pokud je to možné, použijte čisty, suchý, stlačený vzduch k profouknutí větracími otvory. (pokud je to možné)

Mazání

- V pravidelných intervalech lehce promazávejte všechny pohyblivé části vhodným mazivem ve spreji.

Uhlíky

- Uhlíkové kartáčky uvnitř motoru (6) se mohou časem opotřebovat.
- Nadměrné opotřebované uhlíky mohou způsobit ztrátu výkonu, přerušovanou poruchu nebo viditelné jiskření.
- Chcete-li uhlíky vyměnit, sejměte oba přístupové kryty uhlíků (9). Opatrně vyjměte opotřebované uhlíky (obrázek R) a ujistěte se, že jsou otvory čisté. Opatrně zasuněte do stejné polohy nové uhlíky.
- Po montáži nechte frézu běžet bez zátěže po dobu 2-3 minut, aby se uhlíky lépe usadily. Proces správného zasazení uhlíků může vyžadovat opakované umístění. Motor může s novými uhlíky jiskřit. Přesto pokračujte, dokud se nové uhlíky neusadí.
- Případně nechte stroj opravit v autorizovaném servisním středisku.

Kontakty

Pro veškeré technické/opravné služby se obraťte na svého prodejce.

Web: www.cmtorangetools.com

Skladování

- Toto nářadí pečlivě skladujte na bezpečném a suchém místě mimo dosah dětí.

Likvidace

Při likvidaci elektrického nářadí vždy dodržujte národní předpisy, které již není funkční a není možné jej opravit.

- Nelikvidujte elektrické nářadí ani jiné elektrické zařízení, s domovním odpadem.
- Informace o správném způsobu likvidace získáte od místního úřadu pro likvidaci odpadů elektrického nářadí.

Řešení problémů

Problem	Možná příčina	Řešení
Žádná funkce při zapnutí/vypnutí vypínače (8) je zapnutý	Bez napájení	Zkontrolujte napájení
	Vadný vypínač	V autorizovaném servisním středisku CMT vyměňte vypínač.
Nepřesný řezný profil	Hloubkový doraz (3) není správně nastaven	Ujistěte se, že hloubkový doraz odpovídá maximálnímu povolenému množství řezu revolvertu. zarážky (1)
	Nesprávně nasazený nebo uvolněný frézovací bit/količek (24)	Utáhněte sestavu frézovacího bitu/količku a frézy.
Směrovač nefunguje	Žádné napájení	Zkontrolujte, zda je u zdroje k dispozici napájení
	Opotřebované nebo zasekávající se kartáče	Odpojte napájení, otevřete přístupové kryty kartáčů (9) a ujistěte se, že kartáče nejsou poškozené nebo silně opotřebované.
	Spínač je vadný	Nechte nářadí opravit v autorizovaném servisním středisku CMT.
	Součásti motoru jsou vadné nebo zkratované	
Horní fréza běží nebo řeže pomalu	Tupá nebo poškozená fréza	Přebrousit nebo vyměnit frézu
	Regulátor otáček (10) je nastaven na nízkou hodnotu	Zvyšte variabilní nastavení otáček
	Motor je přetížený	Snižte přitlačnou sílu na horní frézku.
Nadměrné vibrace	Nesprávně nasazený nebo uvolněný frézovací bit	Nasadte nebo utáhněte frézovací bit.
	Ohnutý nebo poškozený frézovací bit	Vyměňte frézovací bit.
Uvnitř motoru dochází k silnému jiskření	Kartáče se volně nepohybují	Odpojte napájení, vyjměte kartáče, vyčistěte je nebo vyměňte.
	Poškozený nebo opotřebovaný motor	Nechte nářadí opravit v autorizovaném servisním středisku CMT.
Micro Naviječ (20) "cvaká" nebo nenastavený	Páčka zámku ponoru (11) je v záběru	Uvolněte páčku zámku ponoru.
	Dosažen konec rozsahu nastavení	Vynulujte Micro naviječ a nastavte hloubku pomocí hloubkového dorazu (3).
Vydává neobvyklý zvuk	Mechanická překážka	Nechte nářadí opravit v autorizovaném servisním středisku CMT.
	Poškození vnitřního vinutí	

Перевод исходных инструкций

Введение

Благодарим за выбор изделия CMT. В этом руководстве содержится информация, необходимая для безопасной и эффективной эксплуатации изделия. Данное изделие отличается некоторыми уникальными особенностями, и даже если вы уже знакомы с аналогичными изделиями, важно внимательно прочитать это руководство и понять содержащиеся в нем инструкции. Проследите за тем, чтобы каждый пользователь изделия ознакомился с руководством и понял его. Сохраните все предупреждения и инструкции на будущее.

Символы и обозначения

На паспортную табличку инструмента могут быть нанесены определенные символы и обозначения. Они дают важную информацию об изделии или содержат инструкции по эксплуатации.



Пользоваться средствами защиты органов слуха
 Пользоваться средствами защиты органов зрения
 Пользоваться средствами защиты органов дыхания
 Пользоваться средствами защиты головы



Пользоваться средствами защиты рук



ВНИМАНИЕ! Прочитайте руководство чтобы снизить риск получения травм.



Осторожно!



Внимание! Острые ножи или зубья!



БЕРЕЧЬ от дождя и влаги!



Перед регулировкой, сменой оснастки, чисткой, обслуживанием и хранением прибора всегда отключайте его от сети питания.



Требуется или рекомендуется вытяжка пыли.



Конструкция класса II (двойная изоляция для дополнительной защиты)



Охрана окружающей среды
 Утилизация электротехнических изделий с бытовым мусором запрещена. Такие изделия сдают в пункты утилизации, имеющие специальное оборудование. За рекомендациями по утилизации обращайтесь в местные органы власти или к дилеру.



Соответствует применимым законодательным актам и нормам безопасности.

Сокращения технических терминов

В	Напряжение (В)
~	Переменный ток
А	Ампер, миллиампер
Гц	Герц
Вт, кВт	Ватт, киловатт
мин⁻¹	количество оборотов в минуту

Технические характеристики

Номер модели:	CMT7E
Напряжение:	220 – 240 В переменного тока, 50/60 Гц
Максимальный входной ток:	9,1 А
Максимальная выходная мощность:	2400 Вт (3,25 л.с. пиковая)
Частота вращения без нагрузки:	8000 – 21 000 мин ⁻¹
Цанговые патроны:	8 и 12 мм
Максимальный диаметр режущего инструмента (Свободная регулировка глубины резания):	55 мм (2-3/16")
Максимальный размер цанги:	½" (Россия: 12,7 мм)
Регулировка глубины резания:	1) Свободная регулировка глубины резания 2) Рукоятка регулировки вертикального положения при работе со столотом 3) Ручка точной регулировки вертикального положения (точная регулировка)
Диапазон регулировки глубины резания:	0 – 68 мм
Степень защиты оболочки:	IPX0
Класс защиты:	
Длина кабеля:	3 м
Габаритные размеры (Д x Ш x В):	180 x 300 x 310 мм
Масса:	6,5 кг
Ввиду того, что продукция постоянно совершенствуется, технические характеристики изделий CMT могут изменяться без уведомления.	
Информация по шуму и вибрации	
Уровень звука излучения LPA:	84,2 дБ(А)
Корректированный уровень звуковой мощности LWA:	95,2 дБ(А)
Погрешность К:	3 дБ(А)
Взвешенное вибрационное ускорение ah:	5,4 м/с ²
Погрешность К:	1,5 м/с ²

Уровень звука, воздействующего на оператора, может превышать 85 дБ(А). Использование средств защиты органов слуха обязательно.

⚠ ВНИМАНИЕ! Если уровень звука превышает 85 дБ(А), то обязательно пользоваться средствами защиты органов слуха. При необходимости ограничивайте продолжительность работы. Если шум вызывает дискомфорт даже при использовании средств защиты, незамедлительно выключите инструмент и убедитесь, что защита надежна правильно, а ее звукоизолирующие характеристики соответствуют уровню звука, вырабатываемого инструментом.

⚠ ВНИМАНИЕ! Воздействие вибрации инструмента на человека может вызывать потерю чувствительности, онемение, покалывание и снижение способности удерживать предметы. Продолжительное воздействие чревато развитием хронических заболеваний. При необходимости ограничивайте продолжительность работы и пользуйтесь антивибрационными перчатками. Не работайте в ручном режиме, если температура ниже комфортного уровня: в таких условиях вибрация оказывает более выраженное воздействие на организм. Продолжительность и периодичность работы с инструментом можно рассчитать по значениям, которые приведены в разделе «Технические характеристики».

⚠ ВНИМАНИЕ! Действительная вибрация во время эксплуатации электроинструмента может отличаться от заявленных значений в зависимости от эксплуатации инструмента. В условиях фактической эксплуатации не обязательно разрабатывать меры защиты оператора на основании оценки воздействия (с учетом всех компонентов рабочего цикла: продолжительности простоя и продолжительности работы на холостом ходу в дополнение к времени работы).

Заявленное общее значение вибрации измерено в соответствии со стандартным методом и может применяться для сравнения другого инструмента с другим. Кроме того, заявленное общее значение вибрации может применяться для предварительной оценки воздействия.

Указанные в разделе «Технические характеристики» уровни звука определены в соответствии с международными стандартами. Значения справедливы для инструмента в нормальном рабочем состоянии, эксплуатируемого в нормальных условиях. Нарушение регламента обслуживания, порядка сборки или эксплуатации инструмента может явиться причиной повышения уровня звука и вибрации. На сайте www.osha.europa.eu представлена информация по уровням звука и вибрации на рабочем месте, которая может оказаться полезной для пользователей, работающих с инструментом в бытовых условиях в течение продолжительного времени.

Общие правила техники безопасности при работе с электроинструментом

⚠ ВНИМАНИЕ! Ознакомьтесь со всеми предупреждениями, инструкциями, иллюстрациями и техническими характеристиками, относящимися к данному электроинструменту. Пренебрежение приведенными ниже инструкциями чревато поражением электрическим током, пожаром и/или серьезными травмами.

Сохраните все предупреждения и инструкции на будущее.

В разделе, посвященном технике безопасности, термин «электроинструмент» относится как к проводным (работающим от сети), так и к беспроводным (работающим от аккумулятора) инструментам.

1) Безопасность на рабочем месте

- Следите за чистой и освещенностью рабочего места. Беспорядок или недостаток освещения повышают вероятность несчастного случая.
- Не работайте с электроинструментом во взрывоопасной атмосфере (например, в присутствии воспламеняющихся жидкостей, газов или пыли). Электроинструмент вырабатывает искры, которые могут воспалить пыль или пары.
- Во время работы с электроинструментом не позволяйте детям и посторонним лицам приближаться к вам. Они будут отвлекать ваше внимание, и вы можете потерять управление.

2) Электробезопасность

- Вилки электроинструмента должны соответствовать розеткам. Категорически запрещается вносить какие-либо изменения в конструкцию вилки. Не разрешается подключать заземленный электроинструмент к сети через переходники. Применение стандартных вилок и соответствующих им розеток снижает риск поражения электрическим током.
- Не касайтесь заземленных предметов: трубопроводов, радиаторов, электрических плит и холодильников. Если ваше тело заземлено, то риск поражения электрическим током увеличивается.
- Берегите электроинструмент от дождя и влаги. Попадание воды внутрь электроинструмента увеличивает риск поражения электрическим током.
- Не допускайте повреждения электрического шнура. Запрещается переносить, тянуть или отключать электроинструмент от сети за шнур. Берите шнур от надрыва, контакта с маслом, острыми крошками или движущимися деталями. Поврежденный или запутанный шнур увеличивает риск поражения электрическим током.
- При работе с электроинструментом вне помещения пользуйтесь удлинителем, пригодным для эксплуатации в таких условиях. Применение удлинителя, пригодного для эксплуатации вне помещения, снижает риск поражения электрическим током.

- Если работа во влажных условиях неизбежна, то электроинструмент следует подключать к источнику питания, снабженному устройством защитного отключения (УЗО). Применение УЗО снижает риск поражения электрическим током.
 - При эксплуатации инструмента на территории Австралии или Новой Зеландии рекомендуется ВСЕГДА включать в цепь питания устройство защитного отключения (УЗО) с номинальным остаточным током 30 мА или меньше.
 - Используйте подходящий удлинитель. Проследите, чтобы он был в хорошем состоянии. Используйте только удлинитель, способный выдержать потребляемый ток устройства. Проводник недостаточного сечения вызовет падение напряжения в сети, потерю мощности и перегрев.
- ### 3) Личная безопасность
- Будьте внимательны, следите за тем, что делаете и руководствуйтесь здравым смыслом при работе с электроинструментом. Запрещается пользоваться электроинструментом, если вы устали или находитесь под действием алкоголя, наркотиков или лекарственных препаратов. Даже кратковременное ослабление внимания во время работы чревато тяжелой травмой.
 - Пользуйтесь средствами индивидуальной защиты. Всегда пользуйтесь средствами защиты органов зрения. Грамотное применение средств защиты (например, респиратора, несвязанной защитной обуви, каски или средств защиты органов слуха) снижает риск травм.
 - Не допускайте непреднамеренного включения. Перед тем как подключить инструмент к розетке и/или аккумулятору, поднимайте или переносите его убедитесь, что выключатель питания находится в положении «выключено». Если держать палец на выключателе питания при переносе инструмента или зарядке инструмента с выключенным выключателем питания, то риск несчастного случая увеличится.
 - Убирайте регулировочные ключи прежде чем включать электроинструмент. Гаечный ключ, присоединенный к вращающейся части электроинструмента, может нанести травмы.
 - Не тянитесь за пределы комфортной зоны досягаемости. Твердо стойте на ногах и сохраняйте равновесие. Это позволит увереннее контролировать инструмент в неожиданных ситуациях.
 - Одевайтесь надлежащим образом. Свободная одежда и украшения не допускаются. Держите волосы и одежду подальше от движущихся частей инструмента. Свободную одежду, украшения или длинные волосы может наматывать на движущиеся части.
 - Обязательно пользуйтесь устройствами вытяжки и сбора пыли, если конструкцией предусмотрены соединители для них. Соблюдайте правила их эксплуатации. Такие устройства снижают риски, связанные с пылью.
 - Не позволяйте себе расслабляться и игнорировать правила безопасности по мере набора опыта работы с инструментами. Получить тяжелую травму при неосторожном обращении – дело доли секунды.
- ### 4) Эксплуатация электроинструмента и уход за ним
- Не допускайте перегрузки электроинструмента. Правильно подбирайте инструмент под свои задачи. Грамотно подобранный инструмент будет работать качественнее и безопаснее при превышении номинальной нагрузки.
 - Не работайте с электроинструментом, если выключатель питания не включается или не выключается. Любой электроинструмент с неработающим выключателем опасен и подлежит ремонту.
 - Отсоединяйте электроинструмент от розетки и/или аккумулятора (если он съемный), прежде чем выполнять настройки, менять оснастку или укладывать его на хранение. Данная мера предосторожности исключает случайный пуск инструмента.
 - Храните электроинструмент в местах, недоступных для детей, и не позволяйте работать с ним лицам, не знакомым с электроинструментом или не изучившим данные инструкции. Электроинструмент опасен в неумелых руках.
 - Обслуживайте электроинструмент и оснастку. Следите за тем, чтобы не было бинения или заедания движущихся частей, споманных деталей или признаков других неисправностей, способных повлиять на работу электроинструмента. Если инструмент поврежден, то эксплуатацию разрешается возобновлять только после ремонта. Причиной многих несчастных случаев становится неудовлетворительное обслуживание электроинструмента.
 - Следите за чистой режущей инструмента и состоянием его режущих кромок. Если режущий инструмент надлежащим образом обслужен, то снижается вероятность зацепления и облегчается управление.
 - Соблюдайте эти инструкции при эксплуатации электроинструмента, оснастки и режущего инструмента. Учитывайте условия и особенности предстоящей работы. Использование электроинструмента не по назначению может быть опасным.
 - Следите за тем, чтобы рукоятки и другие поверхности хвата были сухими и чистыми. Наличие на них масла и консистентной смазки не допускается. Скользкие рукоятки и прочие поверхности хвата опасны и обеспечивают надежного контроля за инструментом в неожиданной ситуации.
- ### 5) Ремонт
- Ремонт электроинструмента должен производиться квалифицированным специалистом с использованием идентичных запчастей. Только в этом случае ремонт электроинструмента не снизит на его безопасность критическим образом.

Дополнительные правила техники безопасности при работе с фрезерами

⚠ ВНИМАНИЕ!

- Держите электроинструмент только за изолированные захватные поверхности, так как режущий инструмент может коснуться шнура питания. Надразные находящегося под напряжением проводника может привести к тому, что неизолированные металлические детали инструмента тоже окажутся под напряжением. Это чревато поражением электрическим током.
- Крепите заготовку к устойчивой опоре с помощью струбцин или других подходящих средств. Заготовка, удерживаемая рукой или прижимаемая к телу, недостаточно хорошо зафиксирована и может выйти из-под контроля.
- Замена поврежденного электрического шнура (в случае необходимости) должна выполняться производителем, его сервисным представителем или лицами аналогичной квалификации.
- Настоятельно рекомендуется включать инструмент через устройство защитного отключения с номинальным остаточным током 30 мА или меньше.
 - a) Пользуйтесь средствами защиты: защитными очками или щитками, средствами защиты органов слуха, респиратором и защитной одеждой (включая защитные перчатки).
 - b) Следите за тем, чтобы рядом с рабочим местом не было тряпок, шнуров, веревок и подобных предметов.
 - c) Убедитесь, что напряжение питания соответствует номинальному напряжению инструмента.
 - d) Убедитесь, что используемые с инструментом удлинители находятся в удовлетворительном состоянии (с точки зрения электробезопасности), а их номинальный ток соответствует инструменту.
 - e) Если удлинитель намотан на барабан, то его необходимо полностью размотать во избежание перегрева.
 - f) Определяйте наличие скрытых кабелей или трубопроводов инженерных сетей в рабочей зоне с помощью подходящих детекторов. При необходимости обратитесь в коммунальные предприятия за помощью. *Контакт с электрическими кабелями может привести к поражению электрическим током и пожару. Повреждение газопровода может привести к взрыву. Контакт с водопроводными линиями может привести к серьезному материальному ущербу.*
 - g) Перед началом работы следует обязательно удалить все посторонние предметы (например, гвозди и шурупы) из заготовок.
 - h) Соблюдайте осторожность при обращении с фрезями: они могут быть очень острыми.
 - i) Перед работой тщательно проверяйте фрезы на предмет повреждений или трещин. *Поврежденные или расстрекавшиеся фрезы подлежат немедленной замене.*
 - j) Следите за острой фрез и надлежащим образом обслуживайте их. Использование инструмента с тупыми кромками может привести к заеданию, повышению тепловыделения и травмам.
 - k) Во время работы ВСЕГДА пользуйтесь обеими рукоятками и надежно удерживайте фрезер.
 - l) Не допускайте появления влаги, грязи и смазки на рукоятках и захватных поверхностях. *В противном случае хват может ухудшиться.*
 - m) Перед тем как выполнить первый рабочий проход, включите инструмент и дайте ему поработать некоторое время. *Вибрации могут свидетельствовать о неправильной установке режущего инструмента.*
 - n) Обращайте внимание на направление вращения режущего инструмента и направление подачи.
 - o) Держите руки подальше от зоны обработки и фрезы. *Держите вспомогательную рукоятку или изолированную захватную поверхность второй рукой.*
 - p) ЗАПРЕЩАЕТСЯ включать фрезер, если режущий инструмент касается заготовки.
 - q) Запрещается работать в ручном режиме, если пружина механизма вертикального перемещения демонтирована.
 - r) Переводить электроинструмент в положение блокировки цанги разрешается только после полной остановки режущего инструмента.
 - s) Максимальная частота вращения фрезы/режущего инструмента должна быть не меньше максимальной частоты вращения электроинструмента.
 - t) Фрезы могут разогреваться во время работы. Во избежание ожогов не прикасайтесь к ним сразу после обработки.
 - u) Не позволяйте фрезам контактировать с горючими материалами.
 - v) Размер хвостовика фрезы/режущего инструмента должен в точности соответствовать размеру патрона, установленного на фрезере. *Неправильно установленная фреза/режущий инструмент будет вращаться неравномерно, что приведет к повышению вибраций и, как следствие, к потере управляемости.*
 - w) ЗАПРЕЩАЕТСЯ нажимать кнопку блокировки шпинделя или пытаться перевести инструмент в режим замены фрез, когда шпиндель вращается.
 - x) Во время обработки поддерживайте неизменное давление; не пытайтесь влиять на естественную скорость обработки. ЗАПРЕЩАЕТСЯ прикладывать чрезмерные усилия к инструменту и перегружать электродвигатель.

- y) Следите за тем, чтобы паспортные и предупреждающие таблички на инструменте были читаемыми. *Меняйте поврежденные и запачканные таблички.*
- z) Во время работы с фрезером будьте готовы к тому, что может произойти заедание фрезы в заготовке и, как следствие, потеря управления. *Всегда крепко держите фрезер и немедленно отпускайте выключатель в опасной ситуации.*
 - После включения фрезера проверяйте вращение фрезы. Оно должно быть равномерным, дополнительные вибрации (вызванные неправильной установкой фрезы) не допускаются. *Работа с фрезером, инструмент которого установлен неправильно, может привести к потере управления и тяжелой травме.*
 - Соблюдайте ОСОБУЮ осторожность при работе с режущим инструментом диаметром более 50 мм (2"). *Во избежание перегрузки электродвигателя следует уменьшить подачу и/или глубину резания.*
 - Снимайте электроинструмент с заготовки ТОЛЬКО после отключения и полной остановки режущего инструмента.
 - Регулировку, ремонт или обслуживание разрешается начинать только после того, как инструмент будет отключен от питания.
 - Даже соблюдение всех правил эксплуатации инструмента не гарантирует отсутствие остаточных факторов риска. *Используйте осторожность. Если вы вообще не уверены в правильности и безопасности использования этого инструмента, не пытайтесь его использовать.*

⚠ ВНИМАНИЕ! Пыль, производимая во время работы электроинструментов, может быть ядовитой. Некоторые материалы могут быть обработаны химикатами или иметь покрытие. Они могут быть ядовитыми. Некоторые естественные и композитные материалы могут содержать ядовитые вещества. Некоторые старые краски могут содержать свинец и прочие химикаты. Не допускайте продолжительного воздействия пылей, образующихся при работе фрезера. НЕ ДОПУСКАЙТЕ попадания пыли на кожу или в глаза, не допускайте попадания пыли в рот, чтобы избежать проглатывания вредных химикатов. По возможности следует работать в хорошо вентилируемой зоне. Пользуйтесь подходящим респиратором и, по возможности, системой вытяжки пыли. Если частота воздействия велика, то соблюдение всех мер предосторожности является особенно важным. Используйте средства индивидуальной защиты более высокого уровня.

Знакомство с изделием

1. Поворотный ограничитель
2. Патрон
3. Ограничитель глубины
4. Боковые воздушники
5. Ручка фиксации упора
6. Электродвигатель
7. Выдвижная шторка выключателя питания
8. Выключатель питания
9. Крышки щеток
10. Регулятор частоты вращения
11. Рычаг фиксации вертикального положения
12. Защитные ограждения
13. Ручки крепления подошвы
14. Соединитель для рукоятки регулировки вертикального положения
15. Соединение для отвода пыли
16. Автоматический фиксатор шпинделя
17. Кольцо муфты ручки регулировки вертикального положения
18. Кнопка выбора режима регулировки вертикального положения
19. Рукоятка регулировки глубины резания
20. Ручка точной регулировки вертикального положения
21. Крышка пружины механизма вертикального перемещения
22. Соединение ключа отключения блокировки после отказа питания
23. Направляющая
24. Цанга (x 2)
25. Рукоятка регулировки вертикального положения при работе со столом
26. Гаечный ключ
27. Поворотное крепление для обработки по круговой траектории
28. Увеличенная подошва
29. Ключ отключения
30. Винты (1/4 UNC x 4) для крепления к столу CMT (запчасть 990.467.00)

Рисунок II

- A. ¼ UNC x 4
- B. M6 x 3
- C. Отверстие под рукоятку регулировки вертикального положения

Назначение

Ручной высокоскоростной погружной фрезер, рассчитанный на инструменты с хвостовиком до 1/2" и 12 мм (в зависимости от установленной цапги). Применяют для вырезания профилей, формирования канавок и пазов, обработки кромок в заготовках из натуральной и композитной древесины. Кроме того, фрезер может применяться в стационарных системах с совместимым столом.

Инструмент следует использовать ТОЛЬКО по прямому назначению. Любая операция, выходящая за рамки описанного в этом руководстве служебное назначение изделия, будет считаться нецелевым использованием. Ответственность за любой ущерб и травмы в результате нецелевого использования будет нести оператор, а не производитель. Также производитель не будет нести ответственность за любые изменения, внесенные в конструкцию инструмента, а также за ущерб, который повлечет за собой такие изменения.

Распаковывание изделия

- Аккуратно распакуйте и осмотрите изделие. Ознакомьтесь со всеми его характеристиками и функциями.
- Убедитесь, что все детали изделия находятся в хорошем состоянии.

Перед эксплуатацией

⚠️ ВНИМАНИЕ! Прежде чем устанавливать или менять какую-либо оснастку или выполнять регулировку, отключите инструмент от сети питания.

⚠️ ВНИМАНИЕ! Периодически во время продолжительного использования или после транспортирования или падения фрезера, проверяйте крышку пружины механизма вертикального перемещения (21). Она должна быть расположена правильно и надежно закреплена. Она должна располагаться параллельно корпусу инструмента без видимого зазора. Крепежный винт должен быть установлен правильно, чтобы исключить непреднамеренное отсоединение крышки пружины механизма вертикального перемещения (см. рисунок 0). Пружина механизма вертикального перемещения достаточно сильно нагружена, чтобы нанести травму при неконтролируемом выбросе. Удалять и устанавливать на место жгуты механизма вертикального перемещения следует в старом соответствии с инструкциями.

Установка цапги и режущего инструмента

Примечание. При установке и снятии фрез используйте защитные перчатки. Кромки фрез острые!

1. Переверните фрезер и установите его на устойчивую плоскую поверхность. Электродвигатель (6) должен быть неподвижным. Шнур питания должен быть отсоединен от сети.
2. Установите максимальную глубину, нажав кольцо муфты ручки регулировки вертикального положения (17) (рисунок В) внутрь и повернув рукоятку регулировки глубины резания (19) по часовой стрелке так, чтобы цапга (24) начала выступать за основание.

Примечание. Упор (3) должен быть полностью втянут (смотрите раздел «Упор и поворотный ограничитель»). Цапга должна выступать за основание так, чтобы ее удобно было затягивать.

3. Снимите цапгу, поворачивая ее комплектым гачечным ключом (26) против часовой стрелки.
4. Выберите нужную цапгу и установите ее в патрон (2), закручивая по часовой стрелке.
5. Вставьте фрез в цапгу. Длина вставленной части должна быть не менее 20 мм или половины хвостовика (берут большее из значений). Слегка затяните цапгу ключом, чтобы сработал фиксатор цапги (рисунок С), а затем затяните режущий инструмент, поворачивая ключ по часовой стрелке.
6. Верните фрезер в нормальное рабочее положение. Устройства блокировки патрона и шторки выключателя отключаются, что обеспечит доступ к выключателю питания (8).

Соединение для отвода пыли

Примечание. Фрезер CMT оснащен соединением (15) для отвода стружки из зоны, расположенной над зоной резания.

- который фиксируется с помощью левосторонней резьбы (закручивать против часовой стрелки) (рисунок D).

Установка увеличенной подошвы и параллельной направляющей

1. Найдите две ручки крепления подошвы и полностью ослабьте их. Это позволит продеть крепежные шпильки в отверстия крепления фрезера в увеличенной подошве (28).
2. Переверните фрезер вместе с подошвой.
3. Нажмите на ручки крепления подошвы фрезера, чтобы обнажить крепежные шпильки.
4. Совместите шпильки с отверстиями для крепления фрезера в увеличенной подошве, и введите шпильки в пазы (рисунок К).

Примечание. Ориентация внешней части подошвы зависит от того, где требуется опора. Для обработки кромок короткую часть подошвы рекомендуется располагать со стороны выключателя питания (8).

5. Закрепите фрезер на увеличенной подошве, надежно затянув ручки крепления подошвы на фрезере.
6. Чтобы установить параллельную направляющую (23), ослабьте ручки параллельной направляющей и вставьте ее в направляющие увеличенной подошвы (рисунок L). Переместите направляющую в нужное положение и зафиксируйте ее, затянув обе ручки крепления.

Примечание. Если фрезеруемые пазы располагаются на расстоянии от края заготовки, то параллельную направляющую устанавливают на длинной стороне подошвы.

Примечание. Если необходимо обработать кромку инструментом без подшипника, то параллельную направляющую устанавливают на короткой стороне подошвы (рисунок J).

Примечание. Фрезы очень большого диаметра могут касаться параллельной направляющей. Во избежание этого к рабочим поверхностям направляющей можно прикрепить деревянные подкладки (с помощью крепежных отверстий).

Эксплуатация

⚠️ ВНИМАНИЕ! При работе с этим инструментом ВСЕГДА используйте подходящими средствами защиты органов зрения, дыхания и слуха. Используйте подходящими перчатками.

Включение и выключение

Примечание. Если фрезер подключен к источнику питания, то подсветка выключателя (8) будет гореть (как в положении «включено», так и в положении «выключено»).

Примечание. Для защиты от случайного пуска предусмотрена выдвигная шторка выключателя (7). Фрезер нельзя будет включить до тех пор, пока шторка не будет задвинута. Шторка остается в открытом положении до отключения инструмента.

1. Убедитесь, что фрезер находится в крайней точке хода, и что режущий инструмент не касается никаких посторонних предметов перед включением фрезера.
2. Подключите шнур питания к сети и отведите шторку, чтобы обнажить выключатель питания.
3. Переведите выключатель питания в положение «I», чтобы включить фрезер. Когда выключатель питания находится в этом положении, шторка не сможет закрыть его.
4. Чтобы выключить инструмент, переведите выключатель питания в положение «0». Шторка выключателя сместится в исходное положение.

Регулятор частоты вращения

Примечание. Настройка скорости фрезера не имеет решающего значения. В целом следует работать на максимальной скорости, при которой на заготовке не возникает прижоги. Не нарушайте ограничений по максимальной частоте вращения, если таковые установлены производителем режущего инструмента.

- Работа на пониженных оборотах чревата повреждением фрезера из-за перегрева. В таком режиме необходимо уменьшить подачу и/или уменьшить глубину резания, увеличив число проходов при обработке.
- На регуляторе частоты вращения (10) нанесены метки (от «1» до «5»), которые приблизительно соответствуют следующим частотам вращения и диаметрам режущего инструмента. Частота вращения выбирается поворотом регулятора.

Настройка	Частота вращения, об/мин	Диаметр режущего инструмента
5	21000	До 25 мм (1")
4	18000	25-50 мм (1-2")
3	14500	50-65 мм (2-2-1/2")
2	11000	Более 65 мм (2-1/2")
1	8000	Использовать только в случае, если на заготовке возникают прижоги

Регулировка глубины резания

ВАЖНО!

НАРУШЕНИЕ ЭТИХ ИНСТРУКЦИЙ ПРИВЕДЕТ К ПОВРЕЖДЕНИЮ МЕХАНИЗМА ВЕРТИКАЛЬНОГО ПЕРЕМЕЩЕНИЯ.

ВСЕГДА разблокируйте рычаг фиксации вертикального положения (11), переводя ее в крайнее верхнее положение, прежде чем регулировать глубину резания в режиме «свободной регулировки глубины резания» или с помощью рукоятки регулировки глубины резания, как описано ниже.



Примечание. Чтобы зафиксировать определенную глубину резания, опустите головку фрезера и поверните рычаг фиксации вертикального положения (11) в нижнее положение. В результате головка фрезера будет удерживаться в заданном положении.

- Существует три метода регулировки глубины резания, различающиеся по точности позиционирования и контролируемости:

Свободная регулировка глубины резания

1. Свободная регулировка глубины резания выполняется при нажатой кнопке выбора режима регулировки вертикального положения (18). Нажмите кнопку выбора режима регулировки вертикального положения до фиксации в нажатом положении (рисунок А).
2. **Отключите фиксацию вертикального положения рычагом (11)** и переведите корпус фрезера в нужное положение. Включите фиксацию вертикального положения.

Регулировка глубины резания с помощью рукоятки

1. Регулировку глубины резания можно осуществлять с помощью рукоятки (19).
2. Отключите кнопку выбора режима регулировки вертикального положения (18) и проследите за тем, чтобы она была на одном уровне с рукояткой регулировки глубины резания.
3. Чтобы освободить рукоятку, втяните кольцо муфты рукоятки регулировки глубины резания (17) внутрь (рисунок В).
4. **Отключите фиксацию вертикального положения рычагом (11)** и поверните рукоятку регулировки глубины резания до достижения требуемой глубины резания. Отпустите кольцо муфты рукоятки регулировки глубины резания и зафиксируйте рычаг фиксации вертикального положения.

Ручка точной регулировки вертикального положения

Примечание. Пользоваться только в режиме регулировки с помощью ручки (19).

1. Выключите кнопку выбора режима регулировки (18) и **отключите фиксацию вертикального положения рычагом (11)**.

Примечание. Если повернуть ручку точной регулировки (20), но отключив фиксацию, то сработает триггер, а глубина резания не изменится.

2. Чтобы увеличить глубину резания, поворачивайте ручку точной регулировки по часовой стрелке, а чтобы уменьшить глубину – против часовой стрелки. Продолжайте регулировку до достижения требуемого вертикального положения.

Примечание. По достижении конечной точки диапазона регулировки ручка точной регулировки начнет вращаться с трудом, издавая щелкающие звуки.

3. Включите фиксацию вертикального положения рычагом (это особенно важно, если силы резания велики).

Упор и поворотный ограничитель

1. Упор (3) и поворотный ограничитель (1) позволяют одновременно задать до трех высокоточных настроек глубины резания.
2. Ослабьте фиксатор упора ручной (5), полностью втяните упор и затяните ручку (рисунок F).
3. Задайте нужные глубины резания, пользуясь шкалами на поворотно ограничителе (рисунок G).

Примечание. Чтобы сменить контактную поверхность ограничителя, поверните весь ограничитель так, чтобы контактная поверхность попала под упор.

Установите требуемый режущий инструмент в цангу (24) и отрегулируйте вертикальное положение так, чтобы конец инструмента касался заготовки.

4. Поверните ограничитель так, чтобы его тело оказалось на одной оси с упором. Ослабьте фиксатор упора, доведите упор до контакта с ограничителем и затяните ручку фиксации упора. Теперь глубина резания настроена на ноль.
5. Поверните поворотный ограничитель так, чтобы контактная поверхность, соответствующая желаемой глубине резания, совместились с упором.

Обработка

Примечание. ЗАПРЕЩАЕТСЯ работать в ручном режиме без направляющей, в качестве которой может служить инструмент с подшипником, комплектные направляющие или рейка (рисунок I).

1. ВСЕГДА держите фрезер обеими руками за имеющиеся рукоятки. Добейтесь того, чтобы заготовка не могла сместиться. По возможности применяйте струцины.
2. Дайте электродвигателю разогреться до полных рабочих оборотов.
3. Опустите режущий инструмент фрезера на заготовку, медленно перемещая фрезер. Подошва должна стоять на заготовке ровно.
4. При обработке кромок фрезерование осуществляют по левой стороне относительно направления обработки (рис. I). Поддерживайте неизменное давление, и пусть режущий инструмент непрерывно проходит через материал. Помните, что узлы и прочие изменения структуры замедлят ход инструмента.

Примечание. Во избежание дребезга режущего инструмента, направление резания должно быть против часовой стрелки при обработке наружных поверхностей, и по часовой – при обработке внутренних поверхностей.

Примечание. Слишком быстрая подача фрезера может ухудшить качество обработанной поверхности и привести к перегрузке электродвигателя (6). Слишком медленная подача фрезера может привести к перегреву заготовки.

Примечание. В нормальном режиме работы перемещение головки вниз осуществляют после включения фрезера.

Примечание. Работа фрезера в перевернутом состоянии разрешается только при условии, что он надежно закреплен на специальном столе с ограждениями (например, на столе производства CMT).

Обработка в несколько проходов

1. Поворотный ограничитель (1) позволяет выдерживать максимальную глубину резания за несколько проходов, количество которых определяет оператор. Каждое положение ограничителя можно настроить с помощью маховика на контактной части.
2. Поверните поворотный ограничитель (3) так, чтобы упор касался самой высокой заданной контактной поверхности при опускании фрезера. Теперь можно выполнять первый проход.
3. Продолжайте выполнять проходы, поворачивая ограничитель и настраивая глубину контактной поверхности для каждого прохода (при необходимости) до тех пор, пока не будет достигнута полная глубина резания.

Обработка по круговой траектории

1. Установите увеличенную подошву (28) без параллельной направляющей (23).
 2. Снимите поворотное крепление (27) с увеличенной подошвы и закрепите его в центре заготовки небольшим гвоздем или винтом через отверстие (рисунок M). Не снимайте болт крепления.
 3. Опустите фрезер с подошвой на поворотное крепление и установите шайбу и гаюк-барашек на место (рисунок N).
 4. Не включая питание, проведите фрезер по желаемой траектории и внесите необходимые изменения.
 5. Обработку выполняйте в несколько проходов, заглубляя инструмент приблизительно на 2 мм (3/32") после каждого прохода (рисунок N). Не пытайтесь обрабатывать в один проход с большой глубиной резания.
- Сквозная обработка. Если материал прорезается насквозь, подложите расходную доску под заготовку. Сначала вырезают круг с припуском по диаметру, после чего диаметр приводят к номиналу путем обработки торца по всей толщине в несколько проходов с небольшой глубиной резания.

Работа в стационарном режиме

Примечание. Установка и эксплуатация фрезера на столе для фрезеров выполняется в соответствии с документацией, которая поставляется в комплекте со столом.

Примечание. Хотя данное изделие можно эффективно и удобно эксплуатировать практически любым столом для фрезера, рекомендуется использовать стол СМТ.

Примечание. Благодаря уникальным особенностям этого фрезера, описанным выше, его настройка не представляет никаких трудностей. Смотрите разделы «Установка патрона и фрезы» и «Регулировка глубины резания».

ВАЖНО! Перед установкой фрезера на стол необходимо ОБЯЗАТЕЛЬНО демонтировать пружину. Для этого:

1. Переведите бабку фрезера в крайнее верхнее положение и включите фиксацию положения рычагом (11).
2. Выкрутите на несколько оборотов маленький винт, который находится рядом с крышковой пружиной механизма вертикального перемещения (21) (рисунок O).
3. Надавите ладонью на крышку пружины механизма вертикального перемещения и крепко держите крышку другой рукой, чтобы пружина механизма вертикального перемещения не вылетела. Сохраняя давление и захват, поверните крышку пружины механизма вертикального перемещения и удалите ее (рисунок P).

⚠ ВНИМАНИЕ! Для обеспечения плавного вертикального перемещения пружина нагружена достаточно большим усилием. Крышка пружины механизма вертикального перемещения и пружина вылетят с высокой скоростью под действием этого усилия, когда крышка будет откручена. Не допускайте неконтролируемого отсоединения крышки пружины механизма вертикального перемещения. Это может привести к травмам.

4. Освободив крышку пружины механизма вертикального перемещения, медленно дайте ей подняться вверх (рисунок Q).
5. Вытащите пружину и сохраните ее в безопасном месте.

6. Установите крышку на место и затяните винт.

⚠ ВНИМАНИЕ! При вставке пружины механизма вертикального перемещения проследите за тем, чтобы ее крышка была правильно закреплена. Она должна располагаться параллельно корпусу инструмента без видимого зазора. Крепежный винт должен быть установлен правильно, чтобы исключало непреднамеренное отсоединение крышки пружины механизма вертикального перемещения.

ПРИМЕЧАНИЕ. Перед использованием фрезера в ручном режиме обязательно установите пружину механизма вертикального перемещения обратно на место.

ВАЖНО! Перед монтажом фрезера под столом, ослабьте ручку фиксации упора (5) и переведите рычаг фиксации вертикального положения (11) в положение «разблокировано».

- Когда фрезер работает в стационарном режиме, глубина резания быстро и удобно настраивается регулировочной ручкой (25), которая подключается к ответному соединителю (14).

Установка ключа отключения блокировки после отказа питания:

Фрезер СМТ7Е имеет функцию блокировки после отказа питания (NVR), которая предотвращает автоматический перезапуск электродвигателя после прерывания питания. Чтобы вернуть инструмент в работу, необходимо перевести выключатель в положение «выключено», и только потом снова включить его. При использовании инструмента с обрабатывающим центром СМТ (со столом для фрезера СМТ) или сторонним столом для фрезера, у которого есть собственная защита NVR, эту функцию можно заблокировать ключом отключения NVR (29). Тем самым включение/отключение инструмента осуществляется выключателем на столе для фрезера.

1. Вкрутите ключ блокировки после отказа питания в соединение ключа отключения блокировки после отказа питания (22) и аккуратно затяните от руки (рисунок T).
2. Прикрепите крошечный к нижней части обрабатываемого центра (рисунок U).
3. Включите фрезер и используйте выключатель на столе для фрезера, чтобы управлять фрезером.

⚠ ВНИМАНИЕ! Ключ отключения блокировки после отказа питания следует использовать ТОЛЬКО в случае, если фрезер подключен к источнику питания, который сам защищен системой блокировки после отказа питания, например к обрабатываемому центру СМТ. ОБЯЗАТЕЛЬНО присоедините крошечный к столу для фрезера, чтобы случайно не удалить фрезер без удаления ключа отключения.

Важно

1. Чтобы установить фрезер СМТ на фрезерный стол СМТ или другой марки, отвинтите 4 винта черной опорной пластины, показанной на рисунке S, и снимите ее.
 2. Имеется 2 набора винтов, как показано на рис. II.
 - А: 4 винта UNC (используются для крепления опорной плиты), также подходят для монтажа на столах СМТ.
 - В: набор из 3 винтов М6
 3. Используйте 4 прилагаемых винта (30) для установки фрезера на столы СМТ.
- Примечание. Резьба М6 недоступна в более ранних версиях фрезеров СМТ7Е (2022).

Аксессуары

Вы можете приобрести широкий ассортимент принадлежностей и запасных частей для работы на фрезере СМТ7Е, у вашего дилера СМТ, например:

- Большой выбор фрез.
- Фрезерные пластины с предварительными отверстиями (рис. H)
- Направляющие втулки
- Цанги
- Угольные щетки

Техническое обслуживание

⚠ ВНИМАНИЕ! Осмотр, обслуживание или очистку разрешается начинать ТОЛЬКО после того, как фрезер будет отключен от источника питания.

Общий осмотр

- Регулярно проверяйте затяжку всех крепежных винтов.
- Перед каждым использованием инструмента осматривайте шнур питания на предмет повреждений или износа. Ремонтные операции должны проводиться только официальным сервисным центром СМТ. Эта рекомендация распространяется и на шнуры-удлинители, используемые с инструментом.

Очистка

⚠ ВНИМАНИЕ! При очистке этого инструмента ВСЕГДА пользуйтесь средствами защиты, включая средства защиты глаз и перчатки.

- Всегда держите инструмент в чистоте. Пыль и грязь ускоряют износ внутренних деталей и сокращают срок службы инструмента.
- Для чистки корпуса используйте мягкую щетку или сухую тряпку.
- Запрещается использовать щелочные вещества для очистки пластиковых деталей. Если сухая чистка не дает желаемого результата, рекомендуется протереть инструмент влажной тряпкой с мягким моющим средством.
- Не допускайте контакта инструмента с водой.
- Щательно высушите инструмент перед использованием.
- По возможности рекомендуется продуть вентиляционные отверстия сухим и чистым сжатым воздухом (при необходимости).

Смазка

- Регулярно смазывайте все движущиеся детали подходящей распыляемой смазкой.

Щетки

- Со временем угольные щетки внутри электродвигателя изнашиваются.
- Если щетки изношены слишком сильно, то возможна потеря мощности, прерывистая работа электродвигателя или видимое искрение.
- Чтобы заменить щетки, снимите две крышки (9). Аккуратно вытащите изношенные щетки (рисунок R) и очистите гнезда. Аккуратно вставьте новые щетки и установите крышки.
- После установки дайте фрезеру поработать 2-3 минуты без нагрузки, чтобы щетки приработались. Для полной приработки щеток могут потребоваться несколько включений. Искрение электродвигателя может продолжаться до тех пор, пока щетки не приработаются.
- Также можно сдать инструмент на обслуживание в официальный сервисный центр.

Контактные данные

По всем техническим вопросам, пожалуйста, свяжитесь с вашим дилером.

Сайт: www.cmtorangetools.com

Хранение

- Храните инструмент аккуратным образом в чемоданчике, в котором он поставляется.
- Храните инструмент в сухом и недоступном для детей месте.

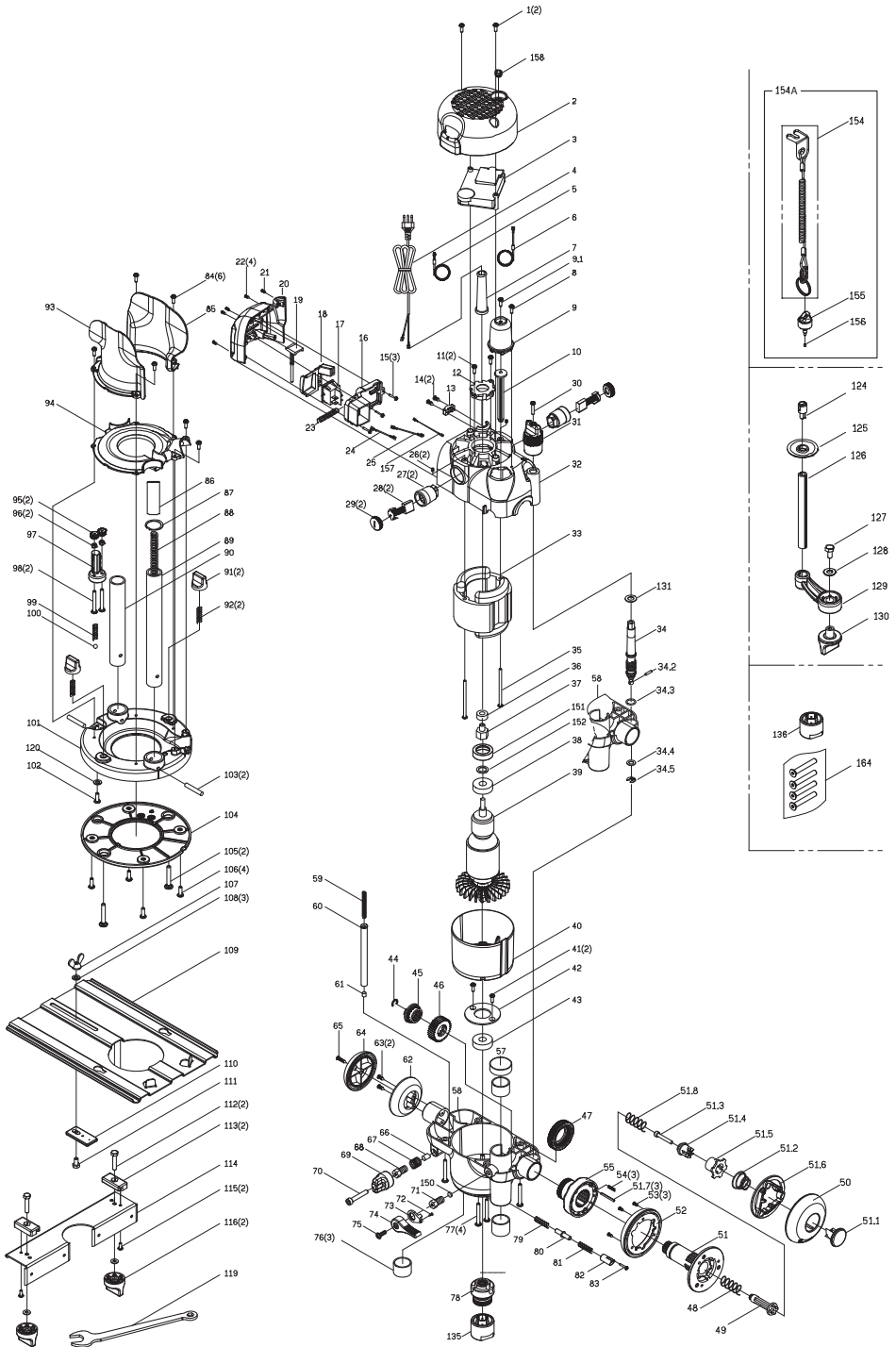
Утилизация

Утилизация неработающего и не подлежащего ремонту инструмента должна выполняться в строгом соответствии с государственными нормативами.

- Запрещается утилизировать электроинструмент или иной лом электрического и электронного оборудования с бытовым мусором.
- Обратитесь в местное управление по утилизации отходов за информацией о правильных методах утилизации электроинструмента.

Поиск и устранение неисправностей

Неисправность	Возможная причина	Метод устранения
Не срабатывает перекидной выключатель (8).	Отсутствует питание.	Проверьте источник питания.
	Неисправен перекидной выключатель.	Сдайте инструмент в официальный сервисный центр CMT на замену выключателя.
Неточный профиль обработки.	Неправильно настроен упор (3).	Убедитесь, что положение упора соответствует максимальной величине припуска, на которую настроены поворотные ограничители (1).
	Фреза/режущий инструмент (24) неправильно установлен или не затянута.	Затяните фрезу/цангу и режущий инструмент.
Фрезер не запускается.	Питание не подается.	Убедитесь, что источник питания исправен
	Залили или изношены щетки.	Отключите питание, снимите крышки щеток (9) и убедитесь, что щетки не повреждены и не изношены слишком сильно.
	Неисправен выключатель.	Сдайте инструмент на обслуживание в официальный сервисный центр CMT.
	Неисправность или короткое замыкание деталей электродвигателя.	
Фрезер работает или режет слишком медленно.	Затуплен или поврежден режущий инструмент.	Заточите или замените режущий инструмент.
	Регулятор частоты вращения (10) настроен на низкую частоту вращения.	Увеличьте частоту вращения.
	Электродвигатель перегружен.	Снизьте усилие подачи фрезера.
Чрезмерная вибрация.	Фреза неправильно установлена или не затянута.	Переустановите или подтяните фрезу.
	Фреза изогнута или повреждена.	Замените фрезу.
Сильное искрение внутри корпуса электродвигателя.	Щетки заедают.	Отключите питание, снимите щетки, очистите или замените их.
	Электродвигатель поврежден или изношен.	Сдайте инструмент на обслуживание в официальный сервисный центр CMT.
Ручка точной регулировки (20) «щелкает» или не выполняет регулировку.	Включена фиксация вертикального положения рычагом (11).	Отключите фиксацию вертикального положения рычагом.
	Достигнут предел диапазона регулирования.	Переустановите ручку точной регулировки и задайте глубину с помощью упора (3).
Инструмент издает посторонний шум.	Зазедание механизма.	Сдайте инструмент на обслуживание в официальный сервисный центр CMT.
	Повреждение внутренних обмоток.	



REF. NO.	SKU	DESCRIPTION
1	-	SCREW MOTOR TOP COVER
2	CMT7E-002	MOTOR TOP COVER
3	CMT7E-003	SPEED CONTROLLER
4	-	POWER CORD
5	CMT7E-005	COPPER RING B (BRUSH CONNECTION B)
6	CMT7E-006	COPPER RING A (BRUSH CONNECTION A)
7	-	CORD GUARD
8-10	CMT7E-009A	RACK POST GUIDE ASSEMBLY
11	-	SCREW UPPER ARMATURE BEALT
12	CMT7E-012	UPPER ARMATURE BEARING PLATE
13	-	CORD RESTRAIN
14	-	SCREW CORD RESTRAINT
15-18, 20, 23	CMT7E-017A	SWITCH ASSEMBLY
19	CMT7E-019	DEPTH STOP SPRING GUIDE
21	-	SCREW CORD RESTRAIN
22	CMT7E-022	SCREW SWITCH COVER
24	-	BROWN CONNECT WIRE
25	-	BLUE CONNECT WIRE
26	CMT7E-026	SET SCREW
27	CMT7E-027	HOLDER BRUSH
28	CMT7E-028	BRUSH
29	CMT7E-029	CAP BRUSH
30	CMT7E-030	PAN HD SCREW
31	CMT7E-031	MICRO ADJUST KNOB
32	CMT7E-032	UPPER MOTOR BODY
33	CMT7E-033	FIELD COIL
34	CMT7E-034/1N	WORM GEAR (START 2010)
34.2	-	PIN
34.3	-	O-TYPE RING
34.4	-	FLAT WASHER
34.5	-	E RING
35	-	SELF-TAP PAN HD SCREW/WASHER
36, 37	CMT7E-036A	MAGNET RING & MOUNT ASSEMBLY
38	CMT7E-038	BALL BEARING
39	CMT7E-039	ARMATURE ASSEMBLY
40	CMT7E-040	FAN SHROUD
41	CMT7E-041	SCREW LOWER ARMATURE BEALT
42	CMT7E-042	LOWER ARMATURE BEARING PLATE
43	CMT7E-043	BALL BEARING
44	CMT7E-044	E-RING (ETW)
45	CMT7E-045/1	PLUNGE HANDLE CLUTCH
46	CMT7E-046/1	PLUNGE HANDLE PINION
47	CMT7E-047	WORM WHEEL METRIC CW DOWN
48	CMT7E-048/1	SPRING PLUNGE HANDLE CLUTCH SHAFT
49	CMT7E-049	PLUNGE HANDLE CLUTCH SHAFT
50	CMT7E-050/2	PLUNGE HANDLE OUTER RUBBERISED (FOR PUSH BUTTON HANDLE)
51	CMT7E-051/2	PLUNGE HANDLE SHAFT
51.1	CMT7E-051-1	PLUNGE SELECT PUSH BUTTON
51.2	CMT7E-051-2	PLUNGE SELECT BUTTON SPRING
51.3	CMT7E-051-3	SELF TAPPING SCREW
51.4	CMT7E-051-4	PLUNGE HANDLE ROTOR
51.5	CMT7E-051-5	PLUNGE HANDLE STATOR
51.6	CMT7E-051-6	PLUNGE HANDLE LOCKOUT
51.7	CMT7E-051-7	PIN
51.8	CMT7E-051-8	SPRING PLUNGE HANDLE ROTOR
52	CMT7E-052	PLUNGE HANDLE INNER
53	CMT7E-053	SCREW CORD RESTRAINT
54	CMT7E-054	SPRING RELEASE RING
55	CMT7E-055/1	MICRO RELEASE RING
57, 58, 76	CMT7E-058A	LOWER MOTOR BODY & BUSH ASSEMBLY
59	CMT7E-059	SPRING DEPTH STOP ROD

REF. NO.	SKU	DESCRIPTION
60	-	DEPTH STOP ROD
61	-	DEPTH STOP ROD PLUG
62	CMT7E-062	FIXED HANDLE INNER (FOR PUSH BUTTON HANDLE)
63	CMT7E-063	PAN HD SCREW
64	CMT7E-064	FIXED HANDLE OUTER RUBBERISED
65	CMT7E-065	SELF TAPPING SCREW
66	CMT7E-066	DEPTH STOP BRASS PLUG
67	CMT7E-067	DEPTH SPRING
68	CMT7E-068	BOLT, PLUNGE LOCK
69	CMT7E-069	DEPTH STOP KNOB
70	CMT7E-070	DEPTH STOP SCREW
71	CMT7E-071	PLUNGE LOCK BOLT
72	CMT7E-072	PLUNGE LOCK BOLT PLATE
73	CMT7E-073	PLUNGE LOCK BOLT PLATE
74	CMT7E-074	PLUNGE LOCK LEVER
75	CMT7E-075	SCREW PLUNGE LOCK BOLT
77	-	SELF-TAP PAN HD SCREW
78	CMT7E-078	COLLET SHAFT
79	CMT7E-079	INNER SPRING SHAFT LOCK
80	CMT7E-080	SHAFT LOCK PIN
81	CMT7E-081	SPRING SHAFT LOCK BUTTON
82	CMT7E-082	SHAFT LOCK BUTTON
83	CMT7E-083	SCREW SHAFT LOCK BUTTON
84	CMT7E-084	PAN HD SCREW
85	CMT7E-085	REAR CHIP SHIELD
86	-	RACK POST LINER
87	CMT7E-087	RETAIN RING
88	CMT7E-088	SPRING RACK POST
91	CMT7E-091	FENCE ATTACHMENT KONB
92	CMT7E-092	SPRING FENCE ATTACHMENT KNOB
93	CMT7E-093	FRONT CHIP SHIELD
94	CMT7E-094	VACUUM SHIELD BIG THROAT
95	-	095 TRA030 TURRET WHEEL
96	CMT7E-096	NUT, TURRET WHEEL
97	-	TURRET
98	-	SCREW, TURRET WHEEL
99	-	SPRING FENCE ATTACHMENT KNOB
100	-	TURRET DETENT BALL
89, 90, 101, 103	CMT7E-101A	BASE & POST ASSEMBLY
102	-	SELF TAPPING SCREW
104	CMT7E-104/2	BASE PLATE
105	CMT7E-105	M6X40MM COACH BOLT
106	CMT7E-106/2	SCREW
107-111	CMT7E-109A	FENCE PLATE & CIRCLE CUTTER ASSEMBLY
112-116	CMT7E-114A	FENCE ASSEMBLY
119	CMT7E-119	WRENCH
120	-	WASHER
124-130	CMT7E-130A	COMPLETE WINDER HANDLE ASSEMBLY
131	-	WASHER
135	796.720.00	12MM COLLET ASSEMBLY
136	796.680.00	8MM COLLET ASSEMBLY
150	CMT7E-150	150 COPPER PAD
151	CMT7E-151	151 BEARING
152	-	ISOLATION WASHER
154A	CMT7E-154A	BYPASS KEY NVR
157	-	CONNECTION WIRE
158	-	NUT
164	990.467.00	164 SCREW 1/4" X 7/8" FOR ROUTER TABLE

EN CMT WARRANTY CMT warrants to the purchaser of this product that if any part proves to be defective due to faulty materials or workmanship within 1 YEAR from the date of original purchase, CMT will repair, or at its discretion replace, the faulty part free of charge. This warranty does not apply to commercial use nor does it extend to normal wear and tear or damage as a result of accident, abuse or misuse. If the product is faulty or requires service please refer to your nearest authorised CMT Repair Centre. Warranty does not include any freight to and from the user.

ES GARANTÍA DE CMT CMT garantiza al comprador de este producto que toda pieza defectuosa debido a defectos de material o de fabricación dentro de los 12 MESES de la fecha de compra original, CMT reparará o, a su discreción, reemplazará la pieza defectuosa, libre de cargo. La Garantía excluye daños causados por uso incorrecto, negligencia, accidente o desgaste normal. Si el producto tuviera un fallo o requiriera servicio durante el período de validez de la garantía, del Centro de reparación de CMT más cercano.

FR GARANTIE CMT CMT garantit à l'acheteur de ce produit que si toute pièce s'avère défectueuse en raison de la qualité des matériaux ou de la fabrication dans les 1 ANS de la date d'achat, CMT réparera ou remplacera sans frais, à sa discrétion, la pièce défectueuse. Cette garantie ne couvre pas un usage commercial ni une usure normale ou un dommage résultant d'un accident, d'un usage abusif ou d'une mauvaise utilisation. Si le produit est défectueux ou nécessite une réparation, veuillez composer le être référé au centre de réparation autorisé CMT le plus proche. La garantie n'inclut pas les frais d'envoi de et à l'utilisateur.

IT GARANZIA CMT CMT garantisce all'acquirente del prodotto che se eventuali componenti dovessero dimostrarsi difettosi a causa di difetti di materiale o di manodopera entro 1 ANNI dalla data di acquisto originale, CMT provvederà alla riparazione o a propria discrezione alla sostituzione della parte difettosa gratuitamente. La garanzia non si applica all'utilizzo commerciale né si estende alla normale usura o a danni conseguenti ad incidenti, errato utilizzo o utilizzo improprio. Se il prodotto è difettoso o richiede una riparazione chiamare il avere indicazioni sul centro riparazioni autorizzato CMT più vicino. La garanzia non comprende eventuali spese da e verso l'utente. Se fuori Australia, contattare l'ufficio CMT più vicino (dettagli nel seguito) per accordi per la riparazione o la sostituzione del prodotto.

DE CMT GARANTIE CMT gibt dem Käufer dieses Produkts die Garantie, dass im Falle eines Defekts eines Teils des Geräts auf Grund von Materialschäden oder fehlerhafter Verarbeitung innerhalb von 12 MONATEN nach dem Datum des Erstkaufs CMT das fehlerhafte Teil repariert oder bzw. nach eigenem Gutdünken ersetzt. Ausgeschlossen von dieser Garantie sind Schäden, die durch Missbrauch, Vernachlässigung, Unfall oder normalen Verschleiß & Abnutzung entstehen. Tritt während der Garantiezeit am Produkt ein Defekt auf oder muss eine Wartung durchgeführt werden, können Sie unter Standort Ihres nächstgelegenen autorisierten CMT-Reparaturzentrums erfahren.

PT GARANTIA: A CMT garante ao comprador deste produto que se alguma parte se revelar defeituosa devido a materiais defeituosos ou mão de obra dentro de 1 ANO a partir da data da compra original, A CMT irá reparar, ou a seu critério substituir, a peça defeituosa sem custos. Esta garantia não se aplica ao uso comercial nem se estende ao desgaste normal ou danos resultantes de um acidente, abuso ou má utilização. Se o produto estiver defeituoso ou necessitar de serviço, por favor consulte o seu Centro de Reparação CMT. A garantia não inclui qualquer frete de e para o utilizador.

DA CMT GARANTI CMT garanterer over for køberen af dette produkt, at hvis en del viser sig at være defekt på grund af defekte materialer eller udførelse inden for 1 ÅR fra den oprindelige købsdato, vil CMT reparere eller erstatte den defekte del gratis. Denne garanti gælder ikke for kommerciel brug og omfatter heller ikke normal slitage eller skader som følge af ulykke, misbrug eller forkert brug. Hvis produktet er defekt eller kræver service, bedes du henvende dig til dit nærmeste autoriserede CMT-reparationscenter. Garantien omfatter ikke fragt til og fra brugeren.

PL GWARANCJA CMT firma CMT gwarantuje nabywcy tego produktu, że jeśli jakkolwiek część okaże się wadliwa z powodu wadliwych materiałów lub wykonania w ciągu 1 ROKU od daty pierwotnego zakupu, CMT naprawi lub, według własnego uznania, wymieni wadliwą część bezpłatnie. Niniejsza gwarancja nie ma zastosowania do użytku komercyjnego ani nie obejmuje normalnego zużycia lub uszkodzenia w wyniku wypadku lub niewłaściwego użytkowania. Jeśli produkt jest wadliwy lub wymaga naprawy, skontaktuj się z najbliższym autoryzowanym dealerem CMT w Twoim kraju. Gwarancja nie obejmuje przesyłki do i od użytkownika.

CZ CMT ZÁRUKA Společnost CMT zaručuje kupujícímu tohoto výrobku, že pokud se během 2 ROKŮ od data nákupu ukáže, že je některý díl vadný z důvodu vady materiálu nebo zpracování, společnost CMT vadný díl bezplatně opraví, nebo podle svého uvážení vymění. Tato záruka se nevztahuje na podnikatele a ani na běžné opotřebení nebo poškození v důsledku nehody, zneužití nebo nesprávného použití. Pokud je výrobek vadný nebo vyžaduje servis, obraťte se na své nejbližší autorizované servisní středisko CMT. Záruka nezahrnuje dopravu k uživateli a od uživatele.

RU ГАРАНТИЯ: CMT гарантирует покупателю этого продукта, что если какая-либо часть окажется дефектной из-за дефектных материалов или изготовления в течение 1 ГОДА с даты первоначальной покупки, CMT отремонтирует или по своему усмотрению заменит неисправную деталь. Эта гарантия не распространяется на коммерческое использование и не распространяется на нормальный износ или повреждение в результате несчастного случая, неправильного или неправильного использования. Если продукт неисправен или требует обслуживания, обратитесь в ближайший авторизованный ремонтный центр CMT. Гарантия не покрывает расходы на доставку товара пользователю и обратно.

EN DECLARATION OF CONFORMITY CE

ES DECLARACIÓN DE CONFORMIDAD CE

FR DÉCLARATION DE CONFORMITÉ CE

IT DICHIARAZIONE DI CONFORMITÀ CE

DE KONFORMITÄTSEKTLÄRUNG CE

PT DECLARAÇÃO DE CONFORMIDADE CE

DA OVERENSSTEMMELSEERKLÆRING CE

PL DEKLARACJA ZGODNOŚCI CE

CZ PROHLÁŠENÍ O SHODĚ CE

RU ДЕКЛАРАЦИЯ О СООТВЕТСТВИИ CE

DOWNLOAD
DECLARATION OF CONFORMITY
FROM OUR WEBSITE



© C.M.T UTENSILI S.P.A.

EN ©: CMT, the CMT logo and the orange color applied to tool surfaces are trademarks of C.M.T. UTENSILI S.P.A. This document has been sent for your personal use only. All usage and reproduction is forbidden without written permission from C.M.T. UTENSILI S.P.A. Any brand names mentioned in CMT product catalogues and on the CMT website are the property of their respective owners.

ES ©: CMT, el logotipo CMT y el color anaranjado del revestimiento de la superficie de las herramientas son marcas registradas de C.M.T. UTENSILI S.p.A. Este documento ha sido enviado para uso personal. Se prohíbe cualquier uso diferente y/o reproducción sin previa autorización escrita de C.M.T. UTENSILI S.p.A. Cualquier otra marca presente en el sitio Web y en los catálogos CMT es propiedad de su respectivo fabricante.

FR ©: CMT, les logos CMT, CMT ORANGE TOOLS et la couleur orange du revêtement de la surface des outils sont des marques déposées de la société C.M.T. Utensili S.p.A. Ce document vous a été envoyé exclusivement à usage personnel. Toute utilisation et ou reproduction de celui-ci est interdite sans l'autorisation expresse de son propriétaire. Toutes les autres marques mentionnées sur ce site et dans les catalogues CMT sont la propriété de leurs fabricants respectifs.

IT ©: CMT, i loghi CMT, CMT ORANGE TOOLS e il colore arancio del rivestimento della superficie degli utensili sono marchi registrati di C.M.T. Utensili S.p.A. Questo documento Vi è stato inviato solo ad uso personale. Qualsiasi altro uso e/o riproduzione senza preventiva autorizzazione scritta rilasciata da C.M.T. UTENSILI S.P.A. Ogni altro marchio riportato in questo sito e nei cataloghi dei prodotti CMT rimane di proprietà dei rispettivi produttori.

DE ©: CMT, die CMT Logos, CMT ORANGE TOOLS und die orangene Farbe der Werkzeughflächen sind eingetragene Warenzeichen von C.M.T. Utensili S.p.A. Dieses Dokument wurde Ihnen nur zur privaten Nutzung zugesendet. Jede Art von Nutzung und/oder Vervielfältigung ist ohne die schriftliche Genehmigung von CMT nicht erlaubt. Alle anderen Markennamen, die sich auf dieser Seite und in den CMT-Katalogen befinden, sind das Eigentum ihrer bezüglichen Hersteller.

PT ©: CMT, o logótipo CMT e a cor laranja aplicada às superfícies das ferramentas são marcas registadas da C.M.T. UTENSILI S.P.A. Este documento foi enviado apenas para seu uso pessoal. Toda a utilização e reprodução sem autorização escrita da C.M.T. UTENSILI S.P.A é proibida. Qualquer marca mencionada nos catálogos de produtos CMT e no Website CMT são propriedade dos seus respetivos proprietários.

DA ©: CMT, CMT-logoet og den orange farve påført værktøjsoverflader er varemærker tilhørende C.M.T. UTENSILI S.P.A. Dette dokument er sendt kun til dig og din anvendelse af produktet. Al gengivelse er forbudt uden skriftlig tilladelse fra C.M.T. UTENSILI S.P.A. Eventuelle mærkenavne nævnt i CMT-produktkataloger og på CMT-hjemmesiden tilhører deres respektive ejere.

PL ©: CMT, logo CMT i kolor pomarańczowy nałożony na powierzchnie narzędzi są znakami towarowymi C.M.T. UTENSILI S.P.A. Ten dokument został wysłany wyłącznie do Twojego osobistego użytku. Wszelkie wykorzystanie i powielanie jest zabronione bez pisemnej zgody C.M.T. UTENSILI S.P.A. Wszelkie nazwy marek wymienione w katalogach produktów CMT i na stronie internetowej CMT są własnością ich odpowiednich właścicieli.

CZ ©: CMT, logo CMT a oranžová barva aplikovaná na povrch nástrojů jsou ochranné známky společnosti C.M.T. UTENSILI S.P.A. Tento dokument byl zaslán pouze pro osobní potřebu. Jakékoli použití a kopírování jsou bez písemného souhlasu společnosti C.M.T. UTENSILI S.P.A. zakázány. Všecké názvy značek uvedené v katalozích výrobků CMT a na webových stránkách CMT jsou majetkem příslušných vlastníků.

RU ©: права на товарные знаки; Название CMT, логотип CMT и оранжевый цвет, используемый для окраски инструмента CMT, являются товарными знаками C.M.T. UTENSILI S.P.A. Прочие товарные знаки и названия брендов, упоминаемые на сайте и в каталогах CMT являются собственностью соответствующих компаний и производителей. Данный документ предоставлен для вашего личного использования. Любое цитирование, перепечатка или тиражирование запрещено без письменного разрешения C.M.T. UTENSILI S.P.A.



DOWNLOAD
INSTRUCTIONS MANUAL
FROM OUR WEBSITE



© C.M.T UTENSILI S.P.A.

CMT ORANGE TOOLS®

C.M.T. UTENSILI S.p.A.
Via della Meccanica, sn
61122 Pesaro (PU) - Italia

Phone #39 0721 48571
Fax #39 0721 481021

info@cmtorangetools.com
www.cmtorangetools.com